

# PRODUCT INFORMATION PACKET

Model No: 182TTTTCD6538

Catalog No: E470A

XRI®-SD Severe Duty Motor, 3 HP, 3 Ph, 60 Hz, 230/460 V, 1800 RPM, 182T Frame, TENV



Regal and Marathon are trademarks of Regal Rexnord Corporation or one of its affiliated companies.

©2024 Regal Rexnord Corporation, All Rights Reserved. MC017097E



### Nameplate Specifications

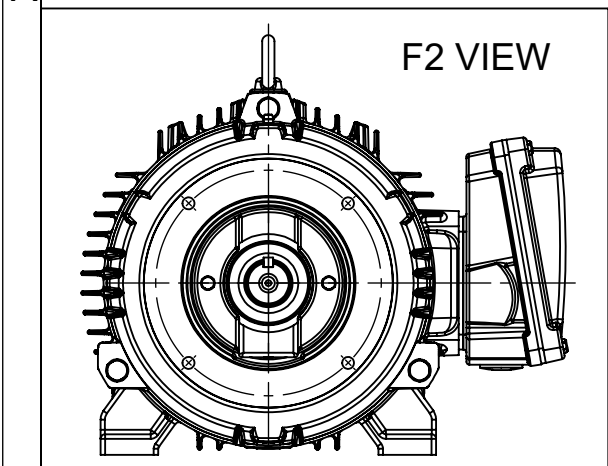
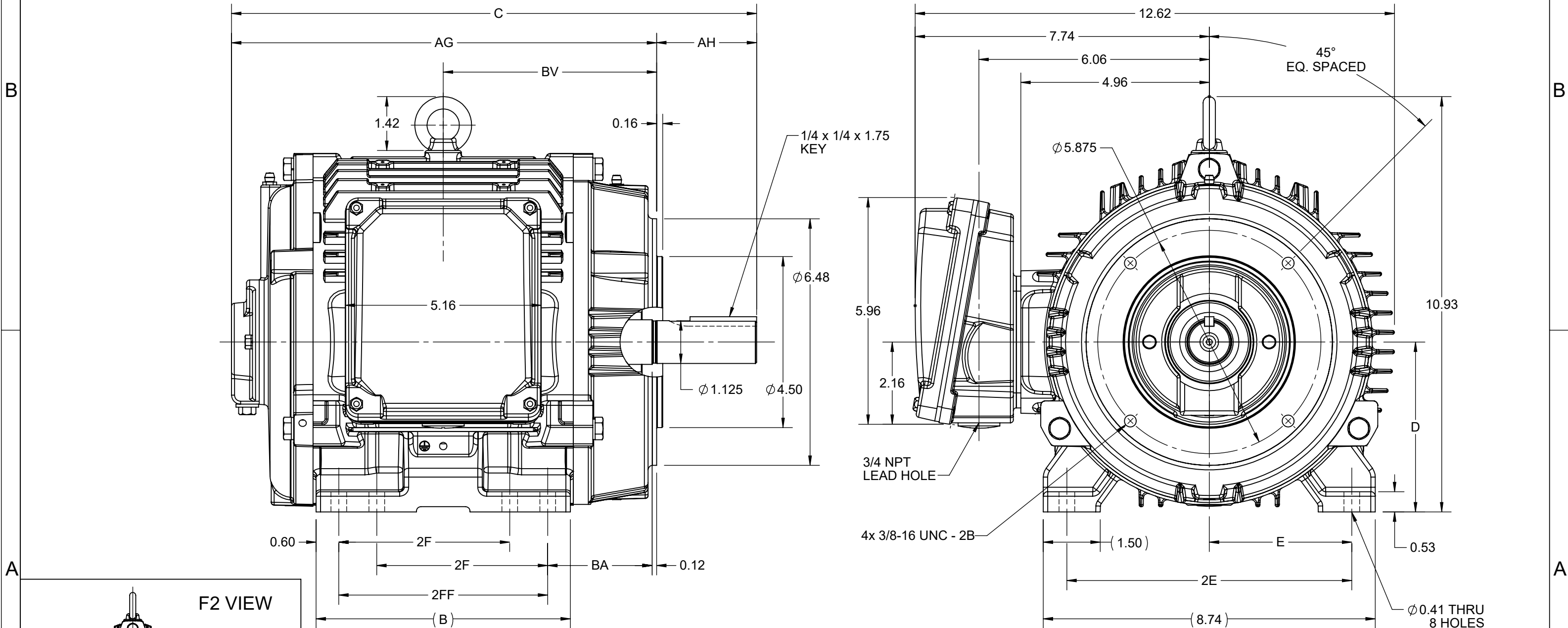
Phase	<b>3</b>	Output HP	<b>3 Hp</b>
Output KW	<b>2.2 kW</b>	Voltage	<b>230/460 V</b>
Speed	<b>1770 rpm</b>	Service Factor	<b>1.15</b>
Frame	<b>182T</b>	Enclosure	<b>Totally Enclosed Non Ventilated</b>
Thermal Protection	<b>No Protection</b>	Efficiency	<b>89.5 %</b>
Ambient Temperature	<b>40 °C</b>	Frequency	<b>60 Hz</b>
Current	<b>7.8/3.9 A</b>	Power Factor	<b>80</b>
Duty	<b>Continuous</b>	Insulation Class	<b>H</b>
Design Code	<b>B</b>	KVA Code	<b>K</b>
Drive End Bearing Size	<b>6206</b>	Opp Drive End Bearing Size	<b>6205</b>
UL	<b>Listed</b>	CSA	<b>Y</b>
CE	<b>Y</b>	IP Code	<b>55</b>
Number of Speeds	<b>1</b>	Hazardous Location	<b>DIVISION 2 T2B</b>

### Technical Specifications

Electrical Type	<b>Squirrel Cage Inverter Rated</b>	Starting Method	<b>Line Or Inverter</b>
Poles	<b>4</b>	Rotation	<b>Reversible</b>
Resistance Main	<b>3.53 Ohms</b>	Mounting	<b>Rigid Base</b>
Motor Orientation	<b>Horizontal</b>	Drive End Bearing	<b>Ball</b>
Opp Drive End Bearing	<b>Ball</b>	Frame Material	<b>Cast Iron</b>
Shaft Type	<b>T</b>	Shaft Diameter	<b>1.125 in</b>
Assembly/Box Mounting	<b>F1/F2 CAPABLE</b>	Inverter Load	<b>CONSTANT 10:1/VARIABLE 10:1</b>
Outline Drawing	<b>SS600211-200</b>	Connection Drawing	<b>EE7308</b>

This is an uncontrolled document once printed or downloaded and is subject to change without notice. Date Created:10/18/2024

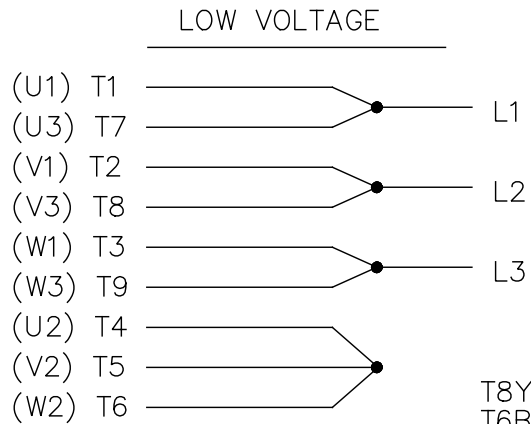
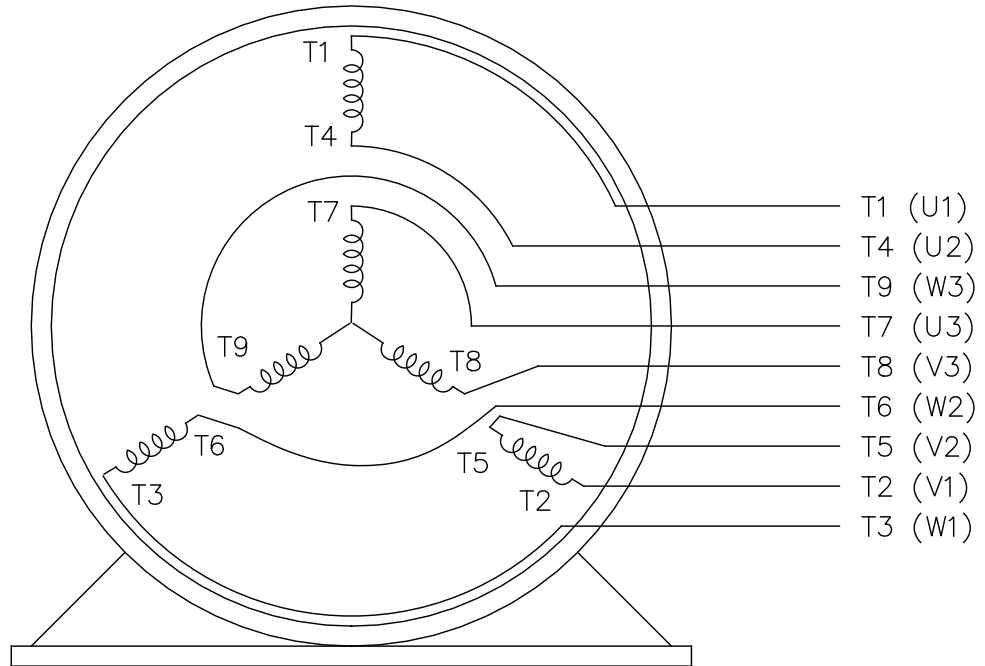
4				3				2				1	
DASH NO.	B	C	D	E	2E	2F	2FF	AG	AH	BA	BV	MOUNTING	FRAME
100	5.67	12.82	4.50	3.75	7.50	-	4.50	10.20	2.62	2.75	5.12	F1 OR F2	182TC
200	6.69	13.82				4.50	5.50	11.20			5.62		182/184TC



DRAWING REVISION A	REVISION BY RAM	REV DATE/© DATE 22/08/2022	DRAWN BY RAM	Regal Beloit America, Inc.
REQUEST NUMBER CR-0010970	APPROVED BY SBD	DATE 22/08/2022	DATE 22/08/2022	
REQUEST NUMBER DESCRIPTION NEW DRAWING RELEASE			APPROVED BY SBD	DESCRIPTION OUTLINE
<small>COPYRIGHT (PER REVISION DATE) REGAL BELOIT AMERICA, INC. ALL RIGHTS RESERVED. PROPRIETARY AND CONFIDENTIAL INFORMATION - THIS DOCUMENT IS THE PROPERTY OF REGAL BELOIT AMERICA, INC. ("OWNER") AND CONTAINS OWNER'S PROPRIETARY INFORMATION. ANY PERSON, CORPORATION OR OTHER FIRM RECEIVING IT IS DEEMED, BY RECEIVING IT, TO AGREE THAT IT, AND/OR ANY PART OF IT, SHALL NOT BE DISCLOSED TO ANY PERSON, CORPORATION OR OTHER ENTITY, DUPLICATED, AND/OR USED, EXCEPT AS EXPRESSLY APPROVED IN WRITING IN ADVANCE BY OWNER. THIS DOCUMENT SHALL BE RETURNED TO OWNER UPON REQUEST. IT MAY BE SUBJECT TO CERTAIN RESTRICTIONS UNDER APPLICABLE EXPORT CONTROL LAWS AND REGULATIONS.</small>			DATE 22/08/2022	182/184TC FR-NEMA-TEAO/TENV - 4.5 AK C-FACE KIT
PRIMARY DIMENSIONS ARE INCH mm DIMENSIONS IN [BRACKETS] ARE FOR REFERENCE ONLY			REFERENCE SS600211	MATERIAL PROCESS/FINISH
THIRD ANGLE PROJECTION			SIZE B	DRAWING NUMBER SS600211C
				SHEET 1 OF 1

EE7308

THREE PHASE  
DUAL VOLTAGE MOTOR



VIEW OF TERMINAL END

REF.  
WINDING DIAGRAM

T8Y, T2Y, T2BL, T4BX, T2EC, T2G  
T6BZ, T2B, T6BL, T4AV, T6B, T4B

OPTIONAL CORD  
CONNECTION

L1 — WHITE  
L2 — RED  
L3 — BLACK

NO.	REVISION	BY & DATE	CHK	ANG	TOLERANCES UNLESS SPECIFIED		FINISH	DRAWN RM 11/20/1990				
					DEC.	INCHES						
5	CHG TO REGAL LOGO	SL 09/10/2015	AB					CHK ML 11/21/1990				
4	REVISED IEC NOTATIONS	MSG 11/15/2011	CMN	.X	±.1			APPD SAS 04/24/2003				
3	ADDED IEC NOTATIONS... (U1), (V1) ETC. MU95194	MSG 5/10/2010	MJS	.XX	±.02			SCALE 1=1				
2	ADDED THE OPTIONAL CORD CONNECTION MU46318	RDH 04/24/2003	DRS	.XXX	±.005		TITLE CONNECTION DIAGRAM 3Ø - DUAL VOLTAGE MOTOR	REF				
1	REDRAWN	RM 11/20/1990		.XXXX	±.0005		MAT'L.	FMF				
					±7'30"			PREV				
THIS DRAWING IN DESIGN AND DETAIL IS OUR PROPERTY AND MUST NOT BE USED EXCEPT IN CONNECTION WITH OUR WORK ALL RIGHTS OF DESIGN AND INVENTION ARE RESERVED THIS IS AN ELECTRONICALLY GENERATED DOCUMENT - DO NOT SCALE THIS PRINT							RFP	CAD FILE ee7308	SIZE A	DRAWING NO. EE7308	PAGE OF 5	REV. 5
							DIST WP					



Regal Beloit America, Inc.



DATA VOLTS: 460

**CERTIFICATION DATA SHEET**

CONN. DIAGRAM: EE7308  
 REFERENCE MODEL #: 182TTTCD6538  
 OUTLINE: SS600211  
 CAT #: E470A  
 WINDING: HA31124025 NONE 2  
 MOUNTING: F1/F2 CAPABLE

**TYPICAL MOTOR PERFORMANCE DATA**

HP	KW	SYNC RPM	FL RPM	FRAME	ENCLOSURE	TYPE	KVA CODE	DESIGN
3	2.2	1800	1770	182T	TENV	TTC	K	B

PH	HZ	VOLTS	AMPS	START TYPE	DUTY	INSL	S.F.	AMB (° C)	ELEV. (Ft)
3	60	230/460	7.8/3.9	LINE OR INVERTER	CONT	H	1.15	40	3300

F.L. EFF	89.5	3/4 LD EFF	89.5	1/2 LD EFF	88.0	GTD EFF	ELECT. TYPE
F.L. PF	80.0	3/4 LD PF	73.0	1/2 LD PF	60.5	88.5	SQ CAGE INV RATED

F.L. TORQUE	LR AMPS	L.R. TORQUE	B.D. TORQUE	F.L. RISE (° C)
8.9 LB-FT	32.0	19.5 LB-FT 219%	30.3 LB-FT 340%	60

SOUND PRESSURE	SOUND	ROTOR WK²	MAX. LOAD WK²	SAFE STALL TIME	STARTS/HOUR	APROX.
62 dBA	71 dBA	0.40 LB-FT²	40 LB-FT²	2 SEC.	20	112 LB.

**\*\*\* SUPPLEMENTAL INFORMATION \*\*\***

DE BRACKET TYPE	ODE BRACKET TYPE	MOUNT TYPE	MOTOR ORIENTATION	SEVERE DUTY	HAZARDOUS LOCATION	DRIP COVER	SCREENS	PAINT
STANDARD	STANDARD	RIGID	HORIZONTAL	PREMIUM SEVERE DUTY	DIVISION 2 T2B	NO	NONE	BLUE (EPOXY)

BEARINGS		GREASE	SHAFT TYPE	SPECIAL DE	SPECIAL ODE	SHAFT MATERIAL	FRAME MATERIAL
DE	ODE	POLYREX EM	T	NONE	NONE	1045 HOT ROLLED (C-204)	CAST IRON
BALL 6206	BALL 6205						

THERMOSTATS	PROTECTORS	WDG RTD's	BRG RTD's	THERMISTORS	CONTROL	SPACE HEATERS
NONE	NOT	NONE	NONE	NONE	FALSE	NA

R1 (ohms/ph)	R2 (ohms/ph)	X1 (ohms/ph)	X2 (ohms/ph)	Xm (ohms/ph)	VIBRATION (in/sec)
2.004	1.314	5.087	5.503	127.64	0.080

* N O T E S *	If Inverter equals NONE, contact factory for further information	
	INVERTER TORQUE: CONSTANT 10:1/VARIABLE 10:1	
	INV. HP SPEED RANGE: NONE	
	ENCODER: NONE	
NONE		NONE PPR
NONE		

PREPARED BY: _____ DATE: 5/15/2020	BRAKE: NONE NONE FT-LB: NA VOLTAGE: NONE	NONE NONE HZ:
---------------------------------------	---	---------------------

FORM: 3531 REV\_4 2/27/06  
 \*\* Subject to change without notice.

Data Sheet

Date: 5/6/2020  
 Customer: \_\_\_\_\_  
 Attention: \_\_\_\_\_  
 Submitted by: \_\_\_\_\_



182TTTCD6538

Submittal

Data @ 460 V

Motor Load Data

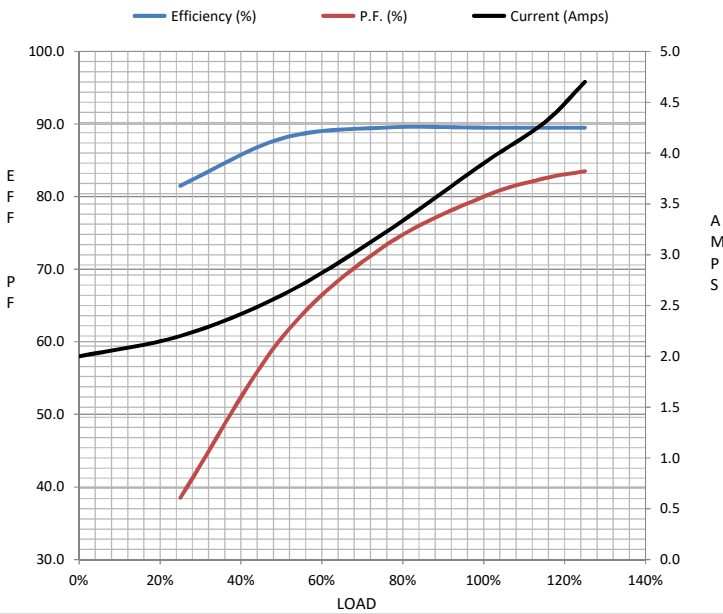
Load	0%	25%	50%	75%	100%	115%	125%	LR
Current (Amps)	2.00	2.20	2.60	3.2	3.9	4.3	4.7	32.0
Torque (ft-lb)	0.00	2.20	4.4	6.7	8.9	10.3	11.3	19.5
RPM	1800	1790	1785	1776	1770	1,762	1760	0
Efficiency (%)		81.5	88.0	89.5	89.5	89.5	89.5	
P.F. (%)	7.0	38.5	60.5	73.0	80.0	82.5	83.5	45.0

Motor Speed Data

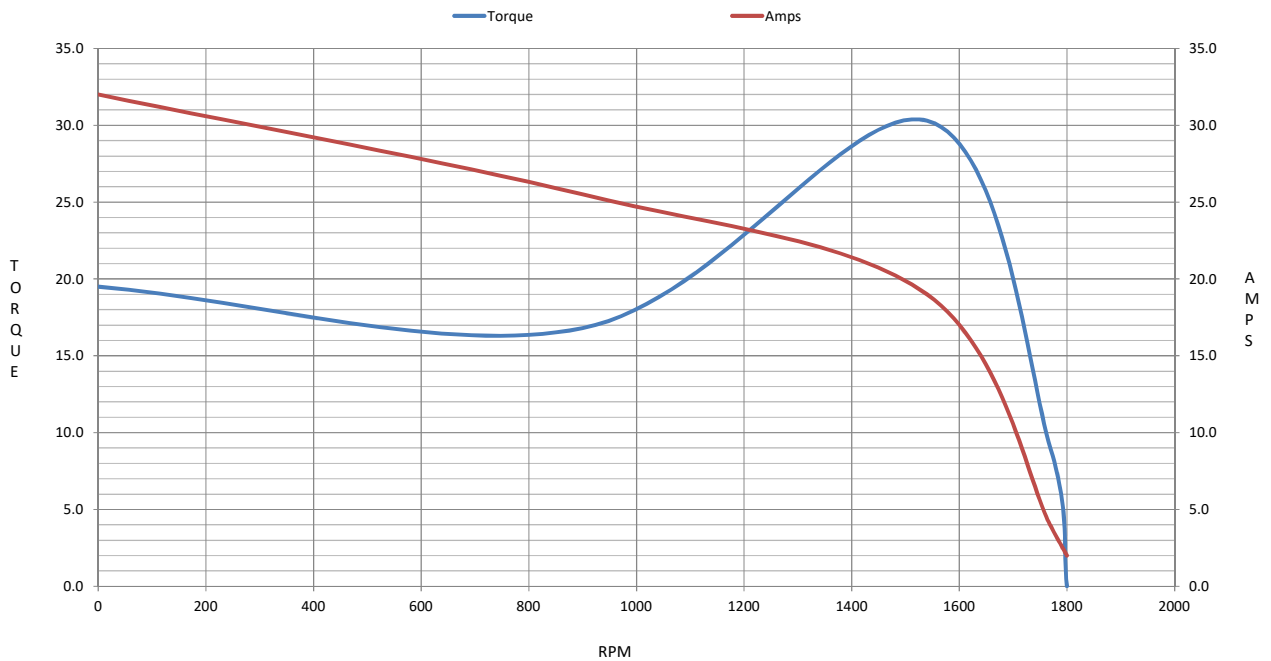
	LR	Pull-Up	BD	Rated	Idle
Speed (RPM)	0	900	1540	1770	1800
Current (Amps)	32.0	25.5	19.0	3.9	2.00
Torque (ft-lb)	19.5	16.8	30.3	8.9	0.00

Information Block

HP	3.0			
Sync. RPM	1800			
Frame	182			
Enclosure	TENV			
Construction	TTC			
Voltage	230/460 V			
Frequency	60 Hz			
Design	B			
LR Code letter	K			
Service Factor	1.15			
Temp Rise @ FL	60 °C			
Duty	CONT			
Ambient	40 °C			
Elevation	3,300 feet			
Rotor/Shaft wk <sup>2</sup>	0.40 Lb-Ft <sup>2</sup>			
Ref Wdg	HA31124025 NONE			
Sound Pressure @ 1M	62 dBA			
VFD Rating	CONSTANT 10:1/VARIABLE 10:1			
Outline Dwg	SS600211			
Conn. Diag	EE7308			
Additional Specifications:				
0				
0				
EQUIV CKT (OHMS / PHASE)				
R1	R2	X1	X2	Xm
2.0040	1.3140	5.0870	5.5030	127.6400



Speed -Torque Curve



## EC Declaration of Conformity

The undersigned representing  
the manufacturer:

Regal Beloit America  
100 East Randolph St.  
Wausau, WI 54401

and the authorized representative  
established within the Community:

Marathon Electric UK  
6F Thistleton Road Ind. Estate  
Market Overton  
Oakham, Rutland LE15 7PP UK

are committed to providing customers with products that comply with applicable regulations and international protocols to which they are subject, including the requirements of the European Parliament Directive on the Harmonization of the laws relating to electrical equipment designed for use within certain voltage limits (2014/35/EU).

Regal Beloit America declares that the following product(s), to which this declaration relates, are in conformity with the relevant sections of the EC standards listed below.

This statement supersedes any statements previously issued pertaining to the product(s) listed below and is subject to change without notice.

Model No : 182TTTCD6538

(Model No. may contain prefix and/or suffix characters)

Catalog No : E470A

Rework No : N/A

Directives :

Low Voltage Directive 2014/35/EU

Harmonized Standards Used :

EN 60034-1: 2010 (IEC 60034-1: 2010)

EN 60034-5: 2001/A1:2007 (IEC 60034-5: 2000/A1:2006)

Authorized Representative:



Michael A. Logsdon  
Vice President, Technology

Authorized Representative in the Community:



Julian Clark  
Marketing Engineer

Created on 09/01/2022

**CE 22**