

PRODUCT INFORMATION PACKET

marathon®
Motors

Model No: 182TTGS7315

Catalog No: C303

Other Purpose Motor, 3 & 2 HP, 3 Ph, 60 & 50 Hz, 230/460 & 190/380 V, 3600 & 3000 RPM, 182TC Frame,
EPFC

Regal and Marathon are trademarks of Regal Rexnord Corporation or one of its affiliated companies.

©2023 Regal Rexnord Corporation, All Rights Reserved. MC017097E

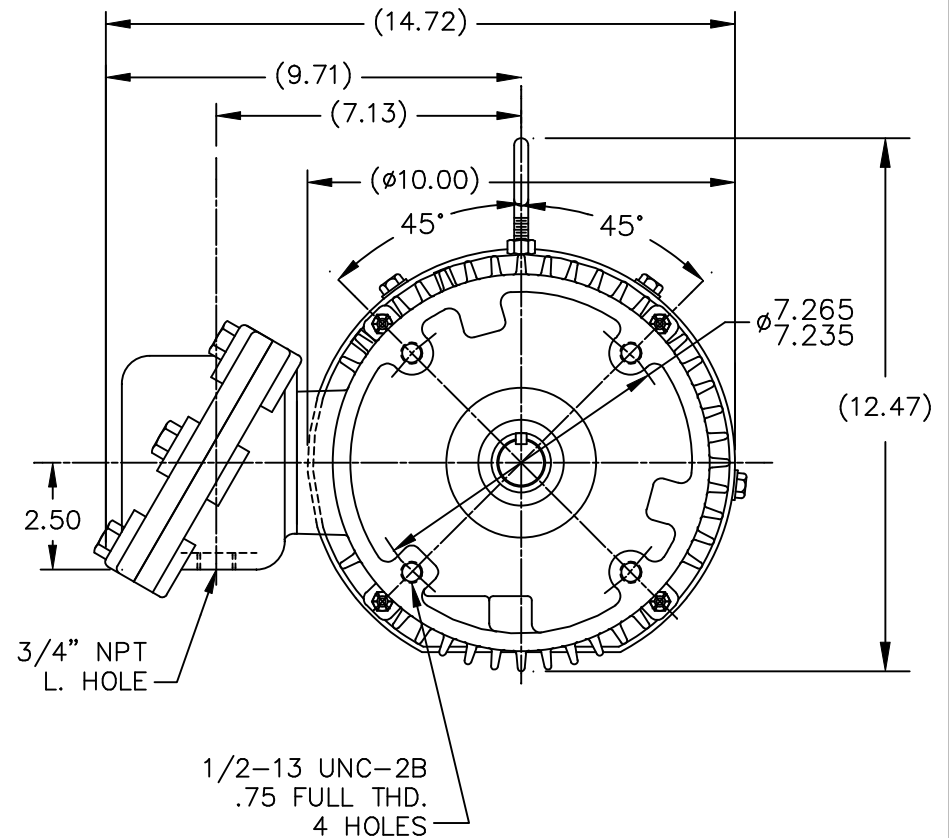
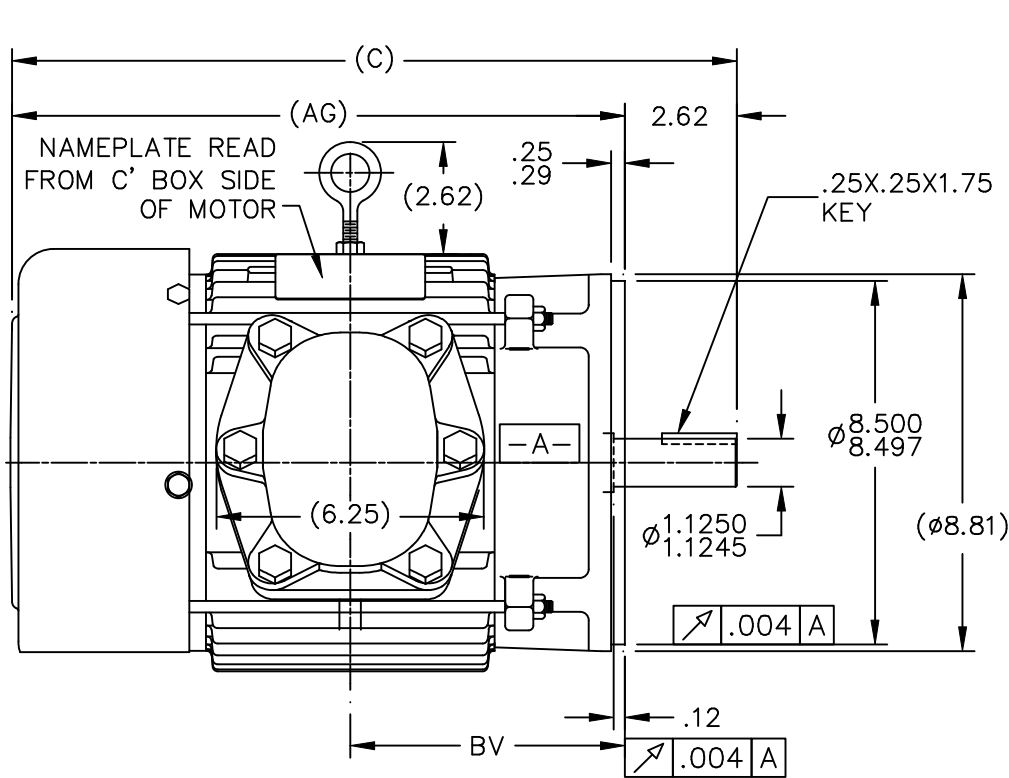
RegalRexnord

Nameplate Specifications

Phase	3	Output HP	3 & 2 Hp
Output KW	2.2 & 1.5 kW	Voltage	230/460 & 190/380 V
Speed	3475 & 2930 rpm	Service Factor	1.0 & 1.0
Frame	182TC	Enclosure	Explosion Proof Fan cooled
Thermal Protection	No Protection	Efficiency	82.5 & 82.5 %
Ambient Temperature	40 °C	Frequency	60 & 50 Hz
Current	7.8/3.9 & 7/3.5 A	Power Factor	87.3
Duty	Continuous	Insulation Class	B
Design Code	B	KVA Code	J
Drive End Bearing Size	6207	Opp Drive End Bearing Size	6205
UL	Listed	CSA	Y
CE	N	IP Code	54
Number of Speeds	1		

Technical Specifications

Electrical Type	Squirrel Cage Induction Run	Starting Method	Across The Line
Poles	2	Rotation	Reversible
Resistance Main	5.16 Ohms	Mounting	Round
Motor Orientation	Horizontal	Drive End Bearing	Ball
Opp Drive End Bearing	Ball	Frame Material	Cast Iron
Shaft Type	T	Overall Length	15.62 in
Frame Length	5.75 in	Shaft Diameter	1.125 in
Shaft Extension	2.75 in	Assembly/Box Mounting	F1 ONLY
Connection Drawing	A-EE7308T	Outline Drawing	A-SS63882-575



NOTES:

1. CONDUIT BOX CAN BE ROTATED IN 90° STEPS.
2. BOX CAN BE MOUNTED ON OPPOSITE SIDE BY REMOVING BRACKETS AND TURNING FRAME 180° THIS MODIFICATION CAN BE PERFORMED ONLY BY MARATHON ELECTRIC OR BY A FACILITY THAT IS COVERED UNDER UNDERWRITERS LABORATORIES INC.PTKQ,TITLED "MOTOR AND GENERATORS, REBUILT FOR USE IN HAZARDOUS LOCATIONS".

DASH	FRAME	C	AG	BV		
575	182/4TC	15.62	13.00	5.88		
675	182/4TC	16.62	14.00	6.38		
800	182/4TC	17.87	15.25	7.00	12-09-1999	

NO.	REVISION	BY & DATE	CHK	TOLERANCES UNLESS SPECIFIED	
				DEC.	INCHES
9	UPDATED THE NOTE	ST 5/7/2007	AT	.X	±.1
8	DASH 575 & 675 FRAME WERE 182TC ONLY CN 37332	HLB 09-22-2003	HLB	.XX	±.03
7	UPDATED TITLE BLOCK	DAH 01-08-2001		.XXX	±.005
6	REDRAWN ON CAD	PGK 01-09-1997		.XXXX	±.0005
				ANG	±7'30"

	DRAWN PGK 12-27-1996	
	CHK ML 01-09-1997	APPD GK 01-09-1997
TITLE OUTLINE 180TC FR. - BB - EPFC - C'FACE	SCALE 2=9	
MAT'L.	REF	
FINISH	FMF	
	PREV	
RFP	CAD FILE ss63882	SIZE A
DIST LB	DRAWING NO. SS63882	PAGE OF 9
		REV. 9

HIGH VOLTAGE



**THREE PHASE
DUAL VOLTAGE MOTOR**

THERMO-PROTECTORS
CONNECTED IN SERIES



NOTE FOR FACTORY USE ONLY:
TO SURGE TEST FOR COMMON CONNECT:
HIGH VOLT: CONNECT P1 TO T1
THEN P2 TO L1
LOW VOLT: CONNECT P1 TO T1 & T7,
THEN P2 TO L1

LOW VOLTAGE



VIEW OF TERMINAL END

NOTE: LEAD'S COLOR CAN BE YELLOW OR WHITE FOR MT2 PLANT

DRAWING REVISION T	REVISION BY ZR	DATE 01-14-2019		DRAWN BY SMC	Regal Beloit America, Inc.
ECO ECO-0159915	APPROVED BY DR	DATE 01-15-2019		DATE 05-13-1992	
ECO DESCRIPTION ADDED TERMINAL CONNECTION DIAGRAM				APPROVED BY TB	DESCRIPTION CONN DIAGRAM-INTERNAL 3 PHASE - DUAL VOLTAGE MOTOR
<small>COPYRIGHT REGAL BELOIT AMERICA, INC. ALL RIGHTS RESERVED. PROPRIETARY AND CONFIDENTIAL INFORMATION - THIS DOCUMENT IS THE PROPERTY OF REGAL BELOIT AMERICA, INC. ("OWNER") AND CONTAINS OWNER'S PROPRIETARY INFORMATION. ANY PERSON, CORPORATION OR OTHER FIRM RECEIVING IT IS DEEMED, BY RECEIVING IT, TO AGREE THAT IT, AND/OR ANY PART OF IT, SHALL NOT BE DISCLOSED TO ANY PERSON, CORPORATION OR OTHER ENTITY, DUPLICATED, AND/OR USED, EXCEPT AS EXPRESSLY APPROVED IN WRITING IN ADVANCE BY OWNER. THIS DOCUMENT SHALL BE RETURNED TO OWNER UPON REQUEST. IT MAY BE SUBJECT TO CERTAIN RESTRICTIONS UNDER APPLICABLE EXPORT CONTROL LAWS AND REGULATIONS.</small>				DATE 05-13-1992	MATERIAL
			REFERENCE EE7308/EE7300	SIZE A	DRAWING NUMBER EE7308T