

# PRODUCT INFORMATION PACKET

**marathon**<sup>®</sup>  
Motors

Model No: 182TTGS4069

Catalog No: C364

Other Purpose Motor, 3 & 2 HP, 3 Ph, 60 & 50 Hz, 208-230/460 & 190/380 V, 1800 & 1500 RPM,  
182TC Frame, EPFC

Regal and Marathon are trademarks of Regal Rexnord Corporation or one of its affiliated companies.

©2023 Regal Rexnord Corporation, All Rights Reserved. MC017097E

**RegalRexnord**

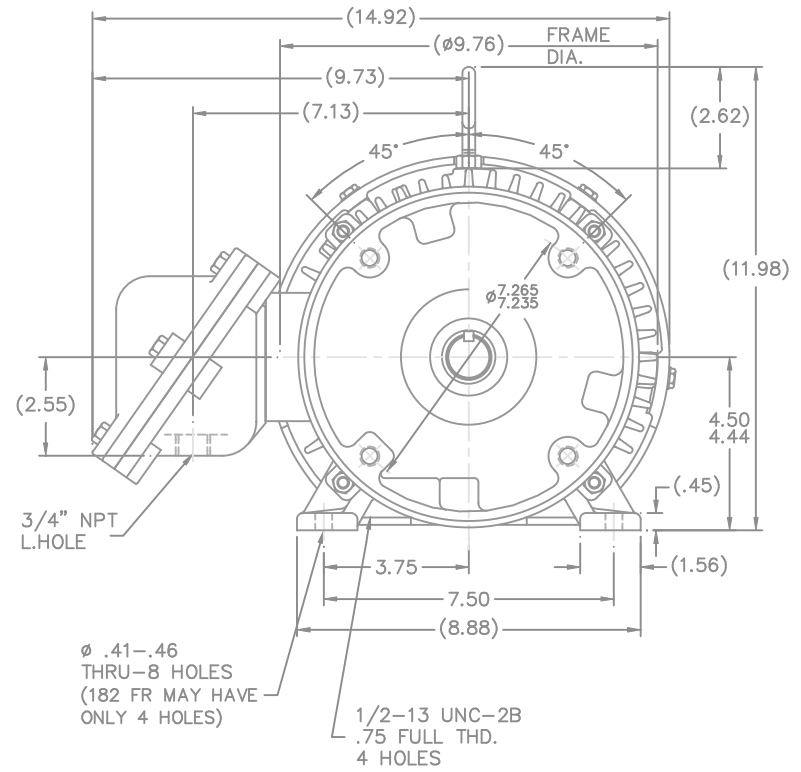
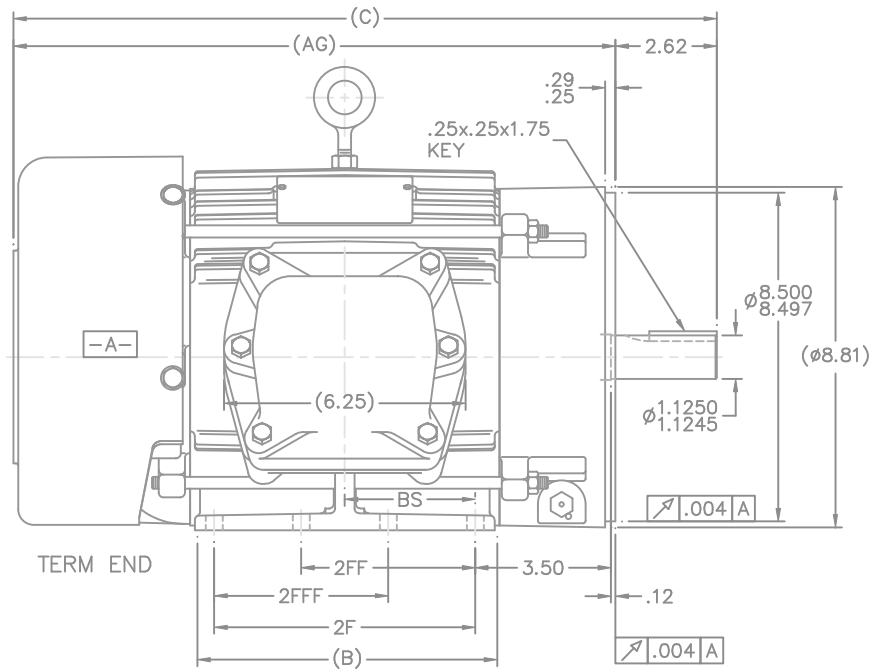


**Nameplate Specifications**

Phase	<b>3</b>	Output HP	<b>3 &amp; 2 Hp</b>
Output KW	<b>2.2 &amp; 1.5 kW</b>	Voltage	<b>208-230/460 &amp; 190/380 V</b>
Speed	<b>1760 &amp; 1470 rpm</b>	Service Factor	<b>1.15 &amp; 1.15</b>
Frame	<b>182TC</b>	Enclosure	<b>Explosion Proof Fan cooled</b>
Thermal Protection	<b>No Protection</b>	Efficiency	<b>87.5 &amp; 88.5 %</b>
Ambient Temperature	<b>40 °C</b>	Frequency	<b>60 &amp; 50 Hz</b>
Current	<b>8.8-8.4/4.2 &amp; 7.4/3.7 A</b>	Power Factor	<b>76</b>
Duty	<b>Continuous</b>	Insulation Class	<b>F</b>
Design Code	<b>B</b>	KVA Code	<b>K</b>
Drive End Bearing Size	<b>6207</b>	Opp Drive End Bearing Size	<b>6205</b>
UL	<b>Listed</b>	CSA	<b>Y</b>
CE	<b>N</b>	IP Code	<b>54</b>
Number of Speeds	<b>1</b>		

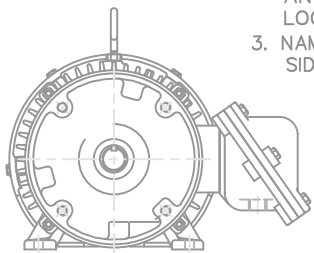
**Technical Specifications**

Electrical Type	<b>Squirrel Cage Inverter Rated</b>	Starting Method	<b>Line Or Inverter</b>
Poles	<b>4</b>	Rotation	<b>Reversible</b>
Resistance Main	<b>4.65 Ohms</b>	Mounting	<b>Rigid Base</b>
Motor Orientation	<b>Horizontal</b>	Drive End Bearing	<b>Ball</b>
Opp Drive End Bearing	<b>Ball</b>	Frame Material	<b>Cast Iron</b>
Shaft Type	<b>T</b>	Overall Length	<b>16.94 in</b>
Frame Length	<b>6.75 in</b>	Shaft Diameter	<b>1.125 in</b>
Shaft Extension	<b>2.75 in</b>	Assembly/Box Mounting	<b>F1 ONLY</b>
Connection Drawing	<b>A-EE7308T</b>	Outline Drawing	<b>B-SS68746-675</b>



- NOTES:
1. CONDUIT BOX CAN BE ROTATED IN 90° STEPS.
  2. BOX CAN BE MOUNTED ON OPPOSITE SIDE BY REMOVING BRACKETS AND TURNING FRAME 180° THIS MODIFICATION CAN BE PERFORMED ONLY BY THE ORIGINAL EQUIPMENT MANUFACTURER, OR BY A FACILITY THAT IS COVERED UNDER UNDERWRITERS LABORATORIES INC. CATEGORY PTKQ.TITLED "MOTORS AND GENERATORS REBUILT FOR USE IN HAZARDOUS. LOCATIONS"
  3. NAMEPLATE TO BE READ FROM CONDUIT BOX SIDE OF MOTOR

DASH	FRAME	B	2F	2FF	2FFF	BS	MOUNTING	C CAST FAN GUARD	C STEEL FAN GUARD	AG CAST FAN GUARD	AG STEEL FAN GUARD
575	182TC	5.50	4.50	-	-	2.25	F1 ONLY	15.94	15.62	13.32	13.00
675	182/4TC	6.50	5.50	4.50	4.50	2.25	F1 OR F2	16.94	16.62	14.32	14.00
800	182TC	7.75	6.75	4.50	4.50	3.37	F1 OR F2	18.19	17.87	15.57	15.25
800	184TC	7.75	6.75	5.50	5.50	3.37	F1 OR F2	18.19	17.87	15.57	15.25



F2 MOUNTING

NO.	REVISION	BY & DATE	CHK	ANG	±	FINISH	PREV
10	NOTE UP DATED AS PER CN NO.40800.	ST 2/20/2007	SL	UNLESS SPECIFIED			
9	REMOVED DASH 675 - 184TC FR.	TJW 06/22/2006	ML	DEC.	INCHES		
8	ADDED GEOMETRIC TOLERANCES CN 32189	NJS 03-27-2003	ML	.X	±.1		
7	DASH 675 - 182TC FR.; 'B' DIM. WAS 5.50 CN 31976	DRS 12-17-2002	ML	.XX	±.03		
6	ADDED F2 MOUNTING VIEW MU40045	NJS 01-16-2002	ML	.XXX	±.005		
5	UPDATED 2F, 2FF, 2FFF ON -675-182TC FR. CN 31549	DRS 04-30-2001	ML	.XXXX	±.0005		
			CHK	ANG	±7'30"		
			RFP			CAD FILE ss68746	
			DIST	LB			

<b>MARATHON ELECTRIC</b>		DRAWN MRB 02-25-1999 CHK ML 03-01-1999 APPD GK 03-01-1999 SCALE 5=16 REF FMF PREV
TITLE OUTLINE 180TC FR. - C'FACE - EPFC - CAST C'BOX MAT'L	RFP CAD FILE ss68746	SIZE B DRAWING NO. SS68746 PAGE OF 10

THIS DRAWING IN DESIGN AND DETAIL IS OUR PROPERTY AND MUST NOT BE USED EXCEPT IN CONNECTION WITH OUR WORK ALL RIGHTS OF DESIGN AND INVENTION ARE RESERVED THIS IS AN ELECTRONICALLY GENERATED DOCUMENT - DO NOT SCALE THIS PRINT

**HIGH VOLTAGE**



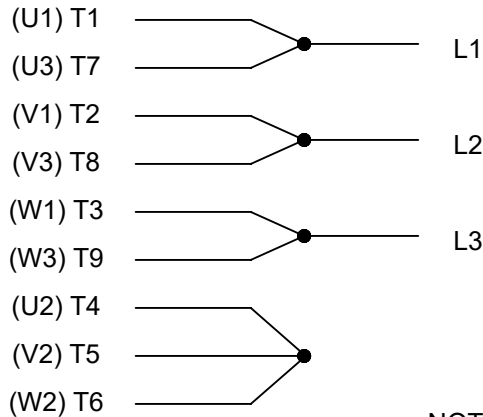
**THREE PHASE  
DUAL VOLTAGE MOTOR**

THERMO-PROTECTORS  
CONNECTED IN SERIES



NOTE FOR FACTORY USE ONLY:  
TO SURGE TEST FOR COMMON CONNECT:  
HIGH VOLT: CONNECT P1 TO T1  
THEN P2 TO L1  
LOW VOLT: CONNECT P1 TO T1 & T7,  
THEN P2 TO L1

**LOW VOLTAGE**



**VIEW OF TERMINAL END**

NOTE: LEAD'S COLOR CAN BE YELLOW OR WHITE FOR MT2 PLANT

DRAWING REVISION T	REVISION BY ZR	DATE 01-14-2019		DRAWN BY SMC	Regal Beloit America, Inc.	
ECO ECO-0159915	APPROVED BY DR	DATE 01-15-2019		DATE 05-13-1992		
ECO DESCRIPTION <b>ADDED TERMINAL CONNECTION DIAGRAM</b>				APPROVED BY TB	DESCRIPTION <b>CONN DIAGRAM-INTERNAL</b> 3 PHASE - DUAL VOLTAGE MOTOR	
<small>COPYRIGHT REGAL BELOIT AMERICA, INC. ALL RIGHTS RESERVED. PROPRIETARY AND CONFIDENTIAL INFORMATION - THIS DOCUMENT IS THE PROPERTY OF REGAL BELOIT AMERICA, INC. ("OWNER") AND CONTAINS OWNER'S PROPRIETARY INFORMATION. ANY PERSON, CORPORATION OR OTHER FIRM RECEIVING IT IS DEEMED, BY RECEIVING IT, TO AGREE THAT IT, AND/OR ANY PART OF IT, SHALL NOT BE DISCLOSED TO ANY PERSON, CORPORATION OR OTHER ENTITY, DUPLICATED, AND/OR USED, EXCEPT AS EXPRESSLY APPROVED IN WRITING IN ADVANCE BY OWNER. THIS DOCUMENT SHALL BE RETURNED TO OWNER UPON REQUEST. IT MAY BE SUBJECT TO CERTAIN RESTRICTIONS UNDER APPLICABLE EXPORT CONTROL LAWS AND REGULATIONS.</small>				DATE 05-13-1992	MATERIAL	PROCESS/FINISH
			REFERENCE EE7308/EE7300	SIZE A	DRAWING NUMBER EE7308T	SHEET 1 OF 1
			THIRD ANGLE PROJECTION			