

PRODUCT INFORMATION PACKET

marathon[®]
Motors

Model No: 182TTGN7068
Catalog No: 182TTGN7068
3,1800,EPFC,182TC,3/60/230/460

Regal and Marathon are trademarks of Regal Rexnord Corporation or one of its affiliated companies.
©2023 Regal Rexnord Corporation, All Rights Reserved. MC017097E

The logo for Regal Rexnord, featuring a stylized 'R' icon followed by the text 'RegalRexnord'.

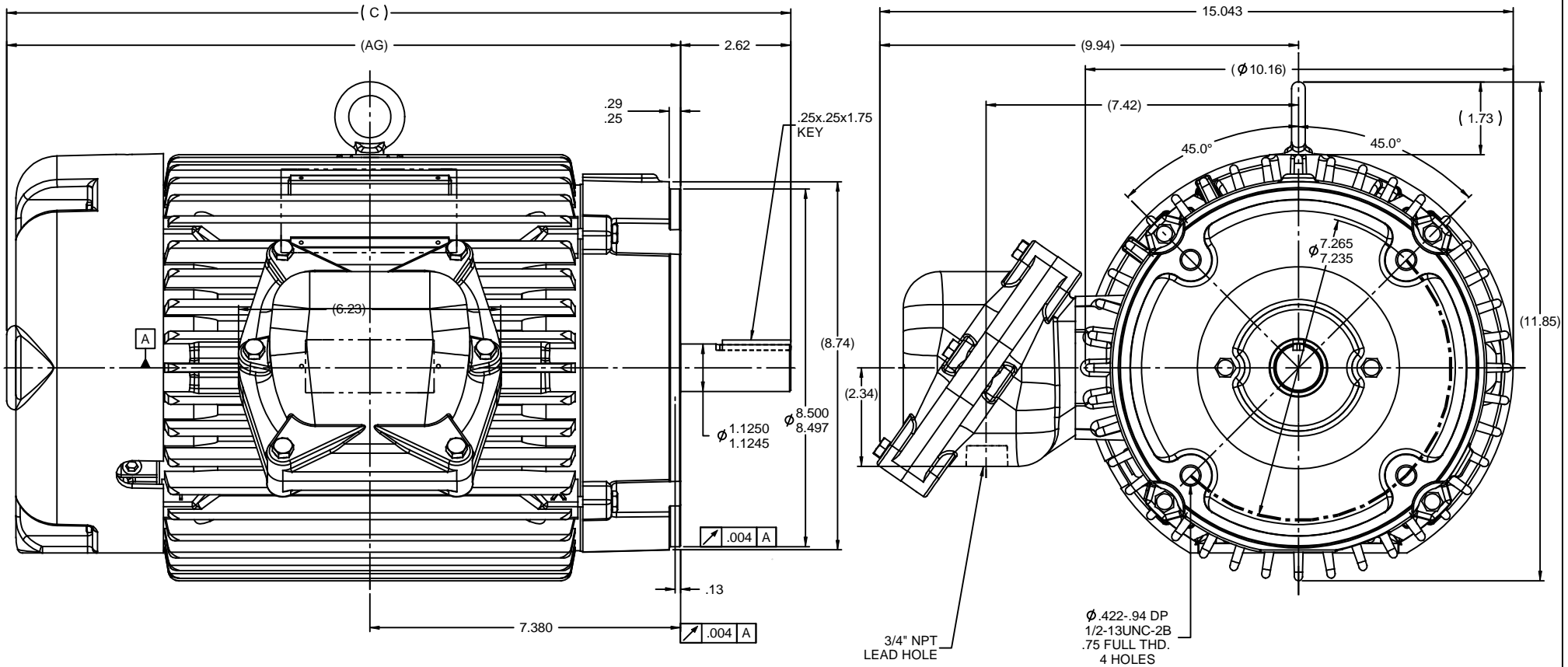
Nameplate Specifications

Phase	3	Output HP	3 & 2 Hp
Output KW	2.2 & 1.5 kW	Voltage	230/460 & 190/380 V
Speed	1755 & 1470 rpm	Service Factor	1.0 & 1.0
Frame	182TC	Enclosure	Explosion Proof Fan cooled
Thermal Protection	Thermostat	Efficiency	87.5 & 86.5 %
Ambient Temperature	40 °C	Frequency	60 & 50 Hz
Current	8.4/4.2 & 7.2/3.6 A	Power Factor	78
Duty	Continuous	Insulation Class	B
Design Code	B	KVA Code	J
Drive End Bearing Size	6207	Opp Drive End Bearing Size	6206
UL	No	CSA	N
CE	N	IP Code	54
Number of Speeds	1	Hazardous Location	EXP PROOF CL I GR D CL II GR F&G T3B

Technical Specifications

Electrical Type	Squirrel Cage Induction Run	Starting Method	Across The Line
Poles	4	Rotation	Reversible
Resistance Main	0 Ohms	Mounting	Round
Motor Orientation	Horizontal	Drive End Bearing	Ball
Opp Drive End Bearing	Ball	Frame Material	Cast Iron
Shaft Type	T	Assembly/Box Mounting	F1 ONLY
Outline Drawing	035694-1000	Connection Drawing	005010.01ME

This is an uncontrolled document once printed or downloaded and is subject to change without notice. Date Created:06/22/2023



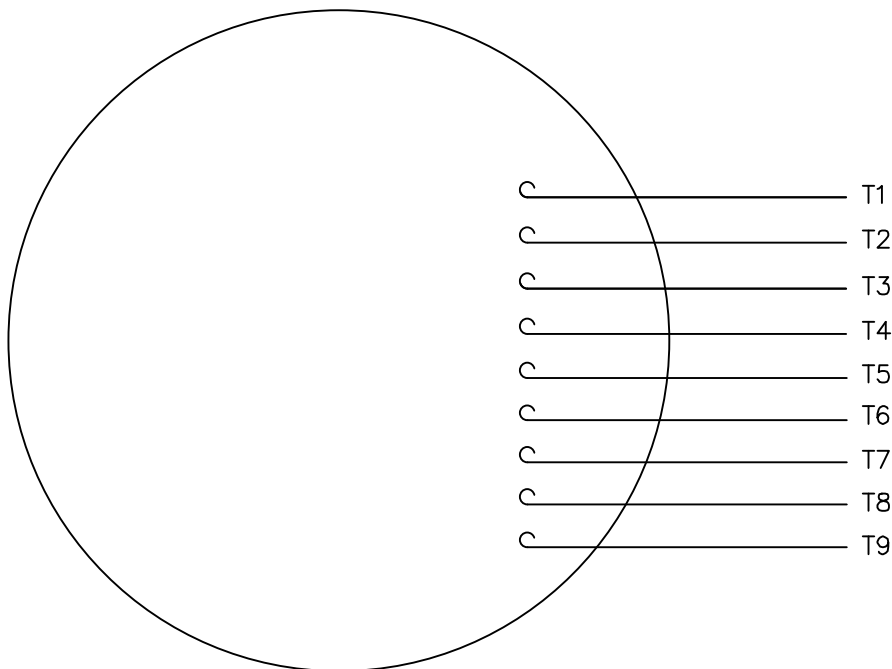
NOTES:

1. NAMEPLATE TO BE READ FROM CONDUIT BOX SIDE OF MOTOR.
2. CONDUIT BOX CAN ROTATED IN 90° STEPS.
3. CONDUIT BOX CAN BE MOUNTED ON OPPOSITE SIDE BY REMOVING BRACKETS AND TURNING FRAME 180° THIS MODIFICATION CAN BE PERFORMED ONLY BY MARATHON ELECTRIC OR BY A FACILITY THAT IS COVERED UNDER UNDERWRITERS LABORATORIES INC.PTKQ, TITLED " MOTOR AND GENERATORS, REBUILT FOR USE HAZARDOUS LOCATIONS".

1000	182/184	18.62	16.00	7.38
DASH	FRAME	C	AG	BV

		TOLERANCES UNLESS SPECIFIED			DRAWN ST 8-07-2008
		DEC	INCHES		CHK VV 8-07-2008
		X	±.1		APPR
		XX	±.03	TITLE OUTLINE-EPFC - C' FACE, ROUND FRAME.	SCALE 7:16
		XXX	±.005	180 FR. - CAST C'BOX	REF 035673
		XXXX	±.0005	MATL	FMF
NO	REVISION	CHK	ANG	FINISH	PREV
THIS DRAWING IN DESIGN AND DETAIL IS OUR PROPERTY AND MUST NOT BE USED EXCEPT IN CONNECTION WITH OUR WORK. ALL RIGHTS OF DESIGN AND INVENTION ARE RESERVED. THIS IS AN ELECTRONICALLY GENERATED DOCUMENT - DO NOT SCALE THIS PRINT		RFP		CAD FILE 035694	SIZE B
		DIST	WA - NLV	DRAWING NO 035694	REV
					035694

VIEW FROM OUTSIDE OF MOTOR AT SWITCH END.



VOLTAGE	L1	L2	L3	JOIN & INSULATE
HIGH	T1	T2	T3	(T4,T7) (T5,T8) (T6,T9)
LOW	T1,T7	T2,T8	T3,T9	T4,T5,T6

NO.	REVISION	BY & DATE	CHK	TOLERANCES UNLESS SPECIFIED		TITLE	DRAWN RDW 04/12/02		
				DEC.	INCHES				
				.X	±.1	MARATHON ELECTRIC EXTERNAL WIRING DIAGRAM 3 PHASE W/O PROTECTOR	CHK		
				.XX	±.01		APPD		
				.XXX	±.005		SCALE 1=1		
				.XXXX	±.0005		REF FIG.2-51		
				ANG	±1/2'	MAT'L. DECAL - 004014	FMF		
						FINISH	PREV		
THIS DRAWING IN DESIGN AND DETAIL IS OUR PROPERTY AND MUST NOT BE USED EXCEPT IN CONNECTION WITH OUR WORK ALL RIGHTS OF DESIGN AND INVENTION ARE RESERVED THIS IS AN ELECTRONICALLY GENERATED DOCUMENT - DO NOT SCALE THIS PRINT				RFP	04/12/02	CAD FILE 00501001ME	SIZE	DRAWING NO.	REV.
				DIST			A	005010-01ME	