

PRODUCT INFORMATION PACKET

marathon®
Motors

Model No: 182TTGN4315

Catalog No: C303A

Explosion Proof Motor, 3 & 2 HP, 3 Ph, 60 & 50 Hz, 230/460 & 190/380 V, 3600 & 3000 RPM,
182TC Frame, EPFC

Regal and Marathon are trademarks of Regal Rexnord Corporation or one of its affiliated companies.

©2023 Regal Rexnord Corporation, All Rights Reserved. MC017097E

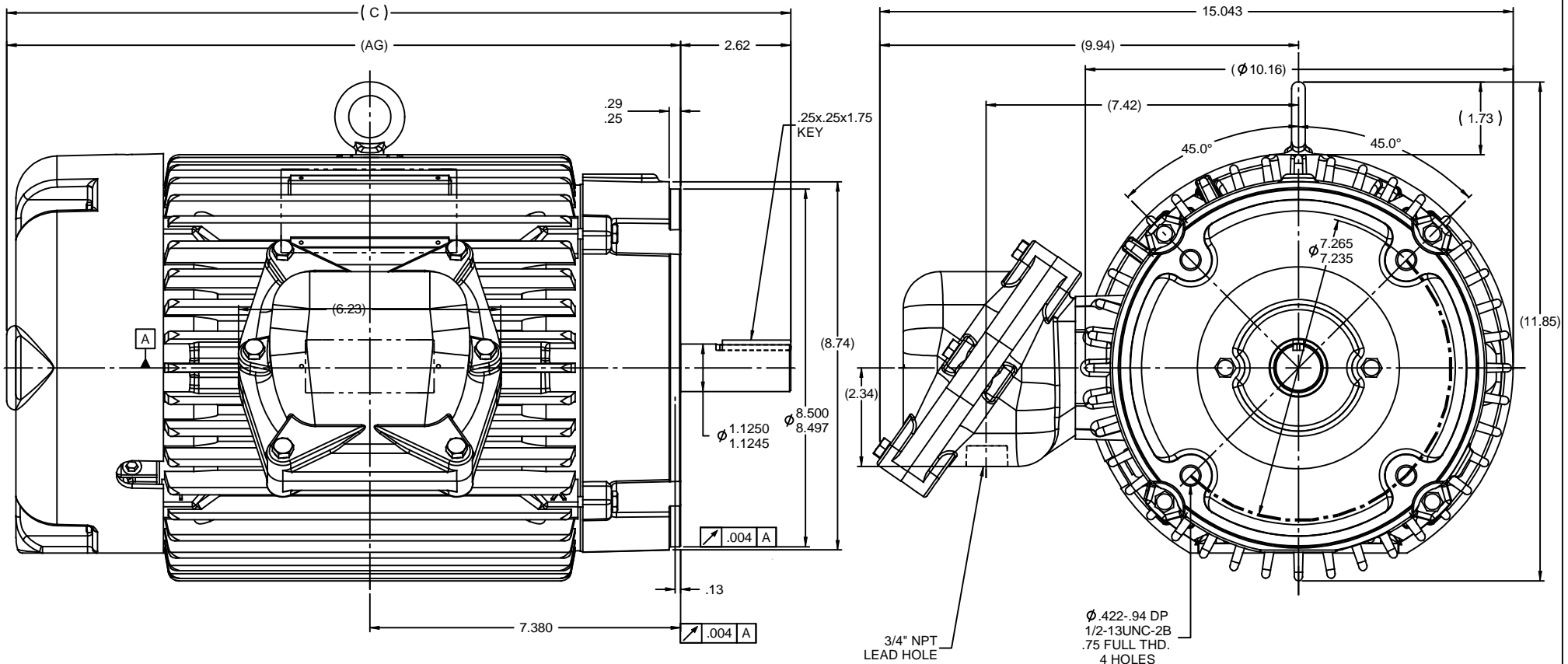
RegalRexnord

Nameplate Specifications

Phase	3	Output HP	3 & 2 Hp
Output KW	2.2 & 1.5 kW	Voltage	230/460 & 190/380 V
Speed	3480 & 2910 rpm	Service Factor	1.0 & 1.0
Frame	182TC	Enclosure	Explosion Proof Fan cooled
Thermal Protection	Thermostat	Efficiency	85.5 & 84.5 %
Ambient Temperature	40 °C	Frequency	60 & 50 Hz
Current	7.4/3.7 & 6/3 A	Power Factor	88.5
Duty	Continuous	Insulation Class	F
Design Code	B	KVA Code	J
Drive End Bearing Size	6207	Opp Drive End Bearing Size	6206
UL	UL Listed; also, UL Certified for Canada	CSA	N
CE	N	IP Code	54
Number of Speeds	1	Hazardous Location	EXP PROOF CL I GR D CL II GR F&G T3B

Technical Specifications

Electrical Type	Squirrel Cage Induction Run	Starting Method	Across The Line
Poles	2	Rotation	Reversible
Resistance Main	3.9 Ohms	Mounting	Round
Motor Orientation	Horizontal	Drive End Bearing	Ball
Opp Drive End Bearing	Ball	Frame Material	Cast Iron
Shaft Type	T	Overall Length	18.62 in
Frame Length	10.00 in	Shaft Diameter	1.125 in
Shaft Extension	2.62 in	Assembly/Box Mounting	F1 Only
Outline Drawing	035694-1000	Connection Drawing	A-EE7308T



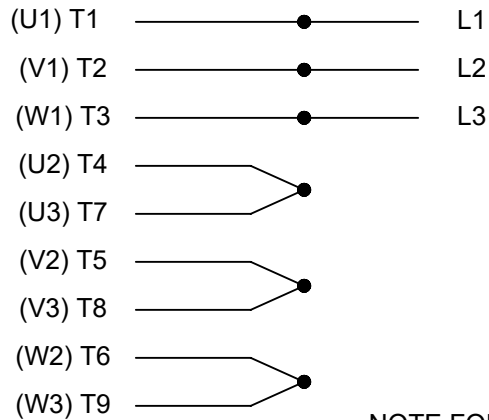
NOTES:

1. NAMEPLATE TO BE READ FROM CONDUIT BOX SIDE OF MOTOR.
2. CONDUIT BOX CAN ROTATED IN 90° STEPS.
3. CONDUIT BOX CAN BE MOUNTED ON OPPOSITE SIDE BY REMOVING BRACKETS AND TURNING FRAME 180° THIS MODIFICATION CAN BE PERFORMED ONLY BY MARATHON ELECTRIC OR BY A FACILITY THAT IS COVERED UNDER UNDERWRITERS LABORATORIES INC.PTKQ, TITLED " MOTOR AND GENERATORS, REBUILT FOR USE HAZARDOUS LOCATIONS".

1000	182/184	18.62	16.00	7.38
DASH	FRAME	C	AG	BV

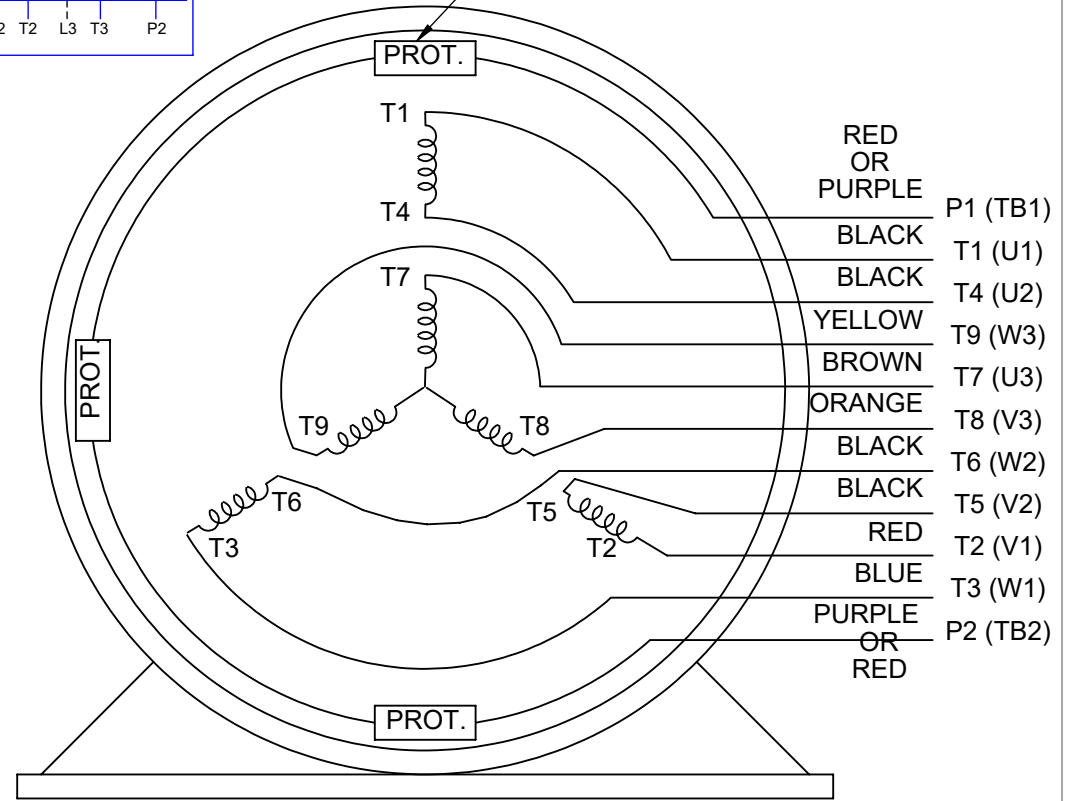
		TOLERANCES UNLESS SPECIFIED			DRAWN ST 8-07-2008
		DEC	INCHES		CHK VV 8-07-2008
		X	±.1		APPR
		XX	±.03	TITLE OUTLINE-EPFC - C' FACE, ROUND FRAME.	SCALE 7:16
		XXX	±.005	180 FR. - CAST C'BOX	REF 035673
		XXXX	±.0005	MATL	FMF
NO	REVISION	CHK	ANG	FINISH	PREV
THIS DRAWING IN DESIGN AND DETAIL IS OUR PROPERTY AND MUST NOT BE USED EXCEPT IN CONNECTION WITH OUR WORK. ALL RIGHTS OF DESIGN AND INVENTION ARE RESERVED. THIS IS AN ELECTRONICALLY GENERATED DOCUMENT - DO NOT SCALE THIS PRINT		RFP		CAD FILE 035694	SIZE B
		DIST	WA - NLV	DRAWING NO 035694	REV

HIGH VOLTAGE



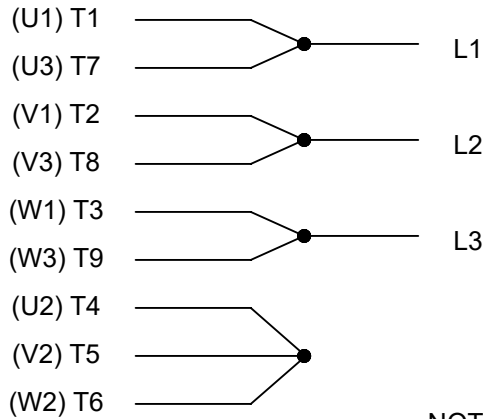
**THREE PHASE
DUAL VOLTAGE MOTOR**

THERMO-PROTECTORS
CONNECTED IN SERIES



NOTE FOR FACTORY USE ONLY:
TO SURGE TEST FOR COMMON CONNECT:
HIGH VOLT: CONNECT P1 TO T1
THEN P2 TO L1
LOW VOLT: CONNECT P1 TO T1 & T7,
THEN P2 TO L1

LOW VOLTAGE



VIEW OF TERMINAL END

NOTE: LEAD'S COLOR CAN BE YELLOW OR WHITE FOR MT2 PLANT

DRAWING REVISION T	REVISION BY ZR	DATE 01-14-2019		DRAWN BY SMC	Regal Beloit America, Inc.
ECO ECO-0159915	APPROVED BY DR	DATE 01-15-2019		DATE 05-13-1992	
ECO DESCRIPTION ADDED TERMINAL CONNECTION DIAGRAM				APPROVED BY TB	DESCRIPTION CONN DIAGRAM-INTERNAL 3 PHASE - DUAL VOLTAGE MOTOR
<small>COPYRIGHT REGAL BELOIT AMERICA, INC. ALL RIGHTS RESERVED. PROPRIETARY AND CONFIDENTIAL INFORMATION - THIS DOCUMENT IS THE PROPERTY OF REGAL BELOIT AMERICA, INC. ("OWNER") AND CONTAINS OWNER'S PROPRIETARY INFORMATION. ANY PERSON, CORPORATION OR OTHER FIRM RECEIVING IT IS DEEMED, BY RECEIVING IT, TO AGREE THAT IT, AND/OR ANY PART OF IT, SHALL NOT BE DISCLOSED TO ANY PERSON, CORPORATION OR OTHER ENTITY, DUPLICATED, AND/OR USED, EXCEPT AS EXPRESSLY APPROVED IN WRITING IN ADVANCE BY OWNER. THIS DOCUMENT SHALL BE RETURNED TO OWNER UPON REQUEST. IT MAY BE SUBJECT TO CERTAIN RESTRICTIONS UNDER APPLICABLE EXPORT CONTROL LAWS AND REGULATIONS.</small>				DATE 05-13-1992	MATERIAL
			REFERENCE EE7308/EE7300	SIZE A	DRAWING NUMBER EE7308T