

# PRODUCT INFORMATION PACKET

Model No: 182TTGCD6501

Catalog No: U060B

Hazardous Duty® Explosion Proof Motor, 3 & 2 HP, 3 Ph, 60 & 50 Hz, 230/460 & 190/380 V,  
3600 & 3000 RPM, 182T Frame, EPFC



Regal and Marathon are trademarks of Regal Rexnord Corporation or one of its affiliated companies.

©2023 Regal Rexnord Corporation, All Rights Reserved. MC017097E

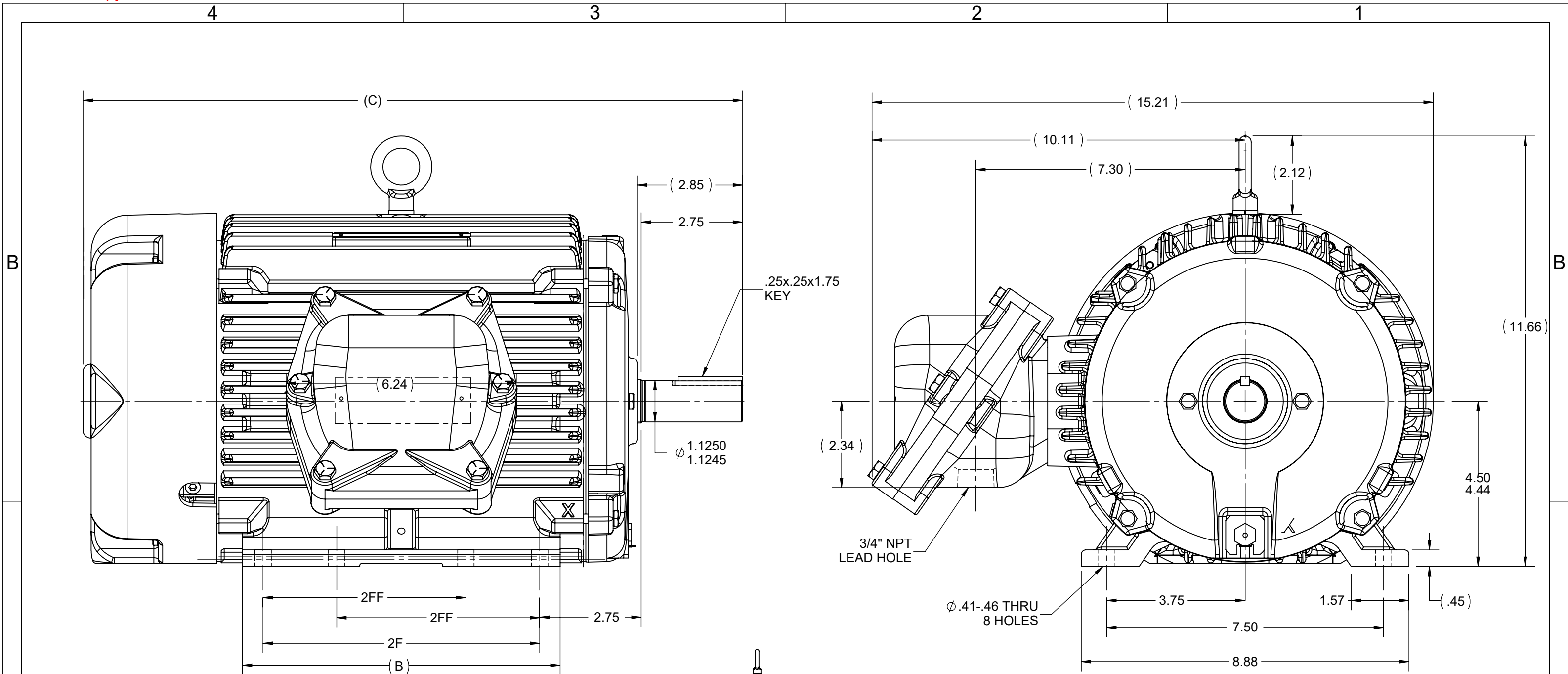
### Nameplate Specifications

Phase	<b>3</b>	Output HP	<b>3 &amp; 2 Hp</b>
Output KW	<b>2.2 &amp; 1.5 kW</b>	Voltage	<b>230/460 &amp; 190/380 V</b>
Speed	<b>3535 &amp; 2935 rpm</b>	Service Factor	<b>1.0 &amp; 1.0</b>
Frame	<b>182T</b>	Enclosure	<b>Explosion Proof Fan cooled</b>
Thermal Protection	<b>Thermostat</b>	Efficiency	<b>86.5 &amp; 84 %</b>
Ambient Temperature	<b>50 °C</b>	Frequency	<b>60 &amp; 50 Hz</b>
Current	<b>8/4 &amp; 6.8/3.4 A</b>	Power Factor	<b>82</b>
Duty	<b>Continuous</b>	Insulation Class	<b>F</b>
Design Code	<b>B</b>	KVA Code	<b>K</b>
Drive End Bearing Size	<b>6206</b>	Opp Drive End Bearing Size	<b>6206</b>
UL	<b>UL Listed And CSA Certified</b>	CSA	<b>Y</b>
CE	<b>N</b>	IP Code	<b>54</b>
Number of Speeds	<b>1</b>	Hazardous Location	<b>DIV 1 EXP PROOF CL I GR CD CL II GR FG T3C</b>

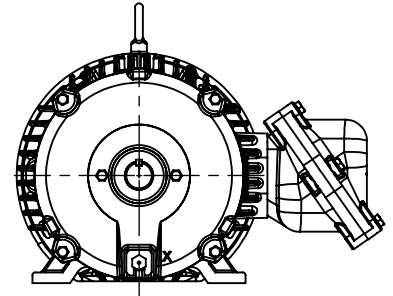
### Technical Specifications

Electrical Type	<b>Squirrel Cage Inverter Rated</b>	Starting Method	<b>Line Or Inverter</b>
Poles	<b>2</b>	Rotation	<b>Reversible</b>
Resistance Main	<b>5.72 Ohms</b>	Mounting	<b>Rigid Base</b>
Motor Orientation	<b>Horizontal</b>	Drive End Bearing	<b>Ball</b>
Opp Drive End Bearing	<b>Ball</b>	Frame Material	<b>Cast Iron</b>
Shaft Type	<b>T</b>	Shaft Diameter	<b>1.125 in</b>
Assembly/Box Mounting	<b>F1 ONLY</b>	Inverter Load	<b>CONSTANT 10:1</b>
Connection Drawing	<b>EE7308T</b>	Outline Drawing	<b>035660-800</b>

This is an uncontrolled document once printed or downloaded and is subject to change without notice. Date Created:11/29/2023



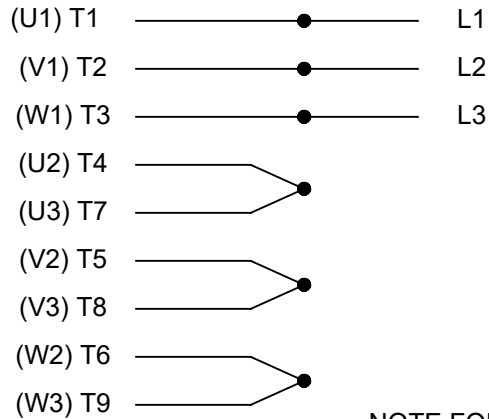
- NOTES:
1. NAMEPLATE TO BE READ FROM CONDUIT BOX SIDE OF MOTOR.
  2. CONDUIT BOX CAN ROTATED IN 90° STEPS.
  3. CONDUIT BOX CAN MOUNTED ON OPPOSITE SIDE BY REMOVING BRACKETS AND TURNING FRAME 180°. THIS MODIFICATION CAN BE PERFORMED ONLY BY THE ORIGINAL EQUIPMENT MANUFACTURER, OR BY A FACILITY THAT IS COVERED UNDER UNDERWRITERS LABORATORIES INC. CATEGORY PTKQ. TITLED "MOTORS AND GENERATORS REBUILT FOR USE IN HAZARDOUS LOCATIONS."



1000	184	17.87	8.61	7.50	5.50	3.75
800	182/184	15.87	6.61	5.50	4.50	2.75
<b>DASH</b>	<b>FRAME</b>	<b>C</b>	<b>B</b>	<b>2F</b>	<b>2FF</b>	<b>BS</b>

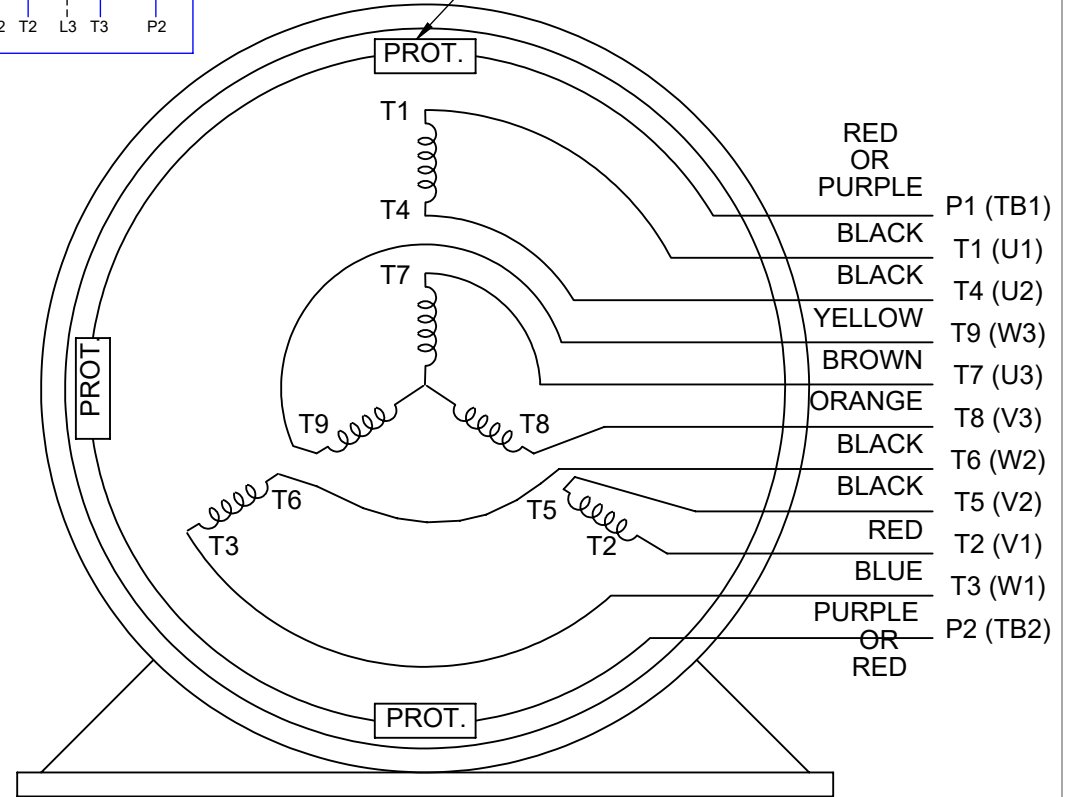
DRAWING REVISION <b>G</b>	REVISION BY <b>MN</b>	REV DATE/© DATE <b>03/14/2022</b>	TOLERANCES (EXCEPT AS NOTED): DEC. INCH mm ANGLE .X ±0.1 [±3] ±7° 30" .XX ±0.03 [±0.8] .XXX ±0.005 [±0.13] .XXXX ±0.0005 [±0.013] REMOVE BURRS & BREAK SHARP EDGES: .003/.015 [.08/.38] X 45° CORNER FILLETS: R.02 [.5] MACHINED SURFACES: 200 / 5.1 INCH / mm mm DIMENSIONS IN [BRACKETS] ARE FOR REFERENCE ONLY	DRAWN BY <b>CTO</b>	<b>Regal Rexnord</b> Regal Beloit America, Inc.		
REQUEST NUMBER <b>NMR-0213126</b>	APPROVED BY <b>MN</b>	DATE <b>03/14/2022</b>		DATE <b>07-05-2007</b>			
REQUEST NUMBER DESCRIPTION <b>UPDATED VIEWS</b>				APPROVED BY <b>SW</b>	<b>OUTLINE</b> 180 FR.		
COPYRIGHT (PER REVISION DATE) REGAL BELOIT AMERICA, INC. ALL RIGHTS RESERVED. PROPRIETARY AND CONFIDENTIAL INFORMATION - THIS DOCUMENT IS THE PROPERTY OF REGAL BELOIT AMERICA, INC. ("OWNER") AND CONTAINS OWNER'S PROPRIETARY INFORMATION. ANY PERSON, CORPORATION OR OTHER FIRM RECEIVING IT IS DEEMED, BY RECEIVING IT, TO AGREE THAT IT, AND/OR ANY PART OF IT, SHALL NOT BE DISCLOSED TO ANY PERSON, CORPORATION OR OTHER ENTITY, DUPLICATED, AND/OR USED, EXCEPT AS EXPRESSLY APPROVED IN WRITING IN ADVANCE BY OWNER. THIS DOCUMENT SHALL BE RETURNED TO OWNER UPON REQUEST. IT MAY BE SUBJECT TO CERTAIN RESTRICTIONS UNDER APPLICABLE EXPORT CONTROL LAWS AND REGULATIONS.				DATE <b>3/26/2008</b>			
				REFERENCE	MATERIAL	PROCESS/FINISH	
				THIRD ANGLE PROJECTION	SIZE <b>B</b>	DRAWING NUMBER <b>035660</b>	SHEET <b>1 OF 1</b>

**HIGH VOLTAGE**



**THREE PHASE  
DUAL VOLTAGE MOTOR**

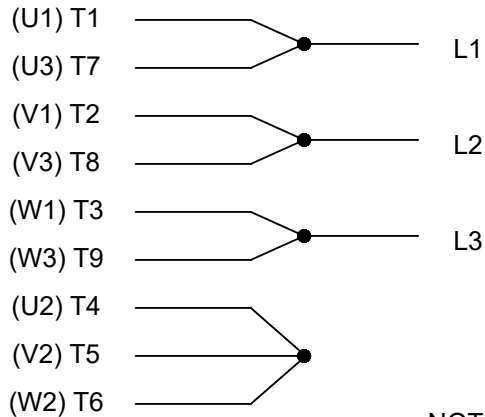
THERMO-PROTECTORS  
CONNECTED IN SERIES



**VIEW OF TERMINAL END**

NOTE FOR FACTORY USE ONLY:  
TO SURGE TEST FOR COMMON CONNECT:  
HIGH VOLT: CONNECT P1 TO T1  
THEN P2 TO L1  
LOW VOLT: CONNECT P1 TO T1 & T7,  
THEN P2 TO L1

**LOW VOLTAGE**



NOTE: LEAD'S COLOR CAN BE YELLOW OR WHITE FOR MT2 PLANT

DRAWING REVISION T	REVISION BY ZR	DATE 01-14-2019		DRAWN BY SMC	Regal Beloit America, Inc.
ECO ECO-0159915	APPROVED BY DR	DATE 01-15-2019		DATE 05-13-1992	
ECO DESCRIPTION <b>ADDED TERMINAL CONNECTION DIAGRAM</b>				APPROVED BY TB	DESCRIPTION <b>CONN DIAGRAM-INTERNAL</b> 3 PHASE - DUAL VOLTAGE MOTOR
<small>COPYRIGHT REGAL BELOIT AMERICA, INC. ALL RIGHTS RESERVED. PROPRIETARY AND CONFIDENTIAL INFORMATION - THIS DOCUMENT IS THE PROPERTY OF REGAL BELOIT AMERICA, INC. ("OWNER") AND CONTAINS OWNER'S PROPRIETARY INFORMATION. ANY PERSON, CORPORATION OR OTHER FIRM RECEIVING IT IS DEEMED, BY RECEIVING IT, TO AGREE THAT IT, AND/OR ANY PART OF IT, SHALL NOT BE DISCLOSED TO ANY PERSON, CORPORATION OR OTHER ENTITY, DUPLICATED, AND/OR USED, EXCEPT AS EXPRESSLY APPROVED IN WRITING IN ADVANCE BY OWNER. THIS DOCUMENT SHALL BE RETURNED TO OWNER UPON REQUEST. IT MAY BE SUBJECT TO CERTAIN RESTRICTIONS UNDER APPLICABLE EXPORT CONTROL LAWS AND REGULATIONS.</small>			DATE 05-13-1992	MATERIAL	PROCESS/FINISH
			REFERENCE EE7308/EE7300	SIZE A	DRAWING NUMBER EE7308T
			THIRD ANGLE PROJECTION		



P.O. BOX 8003  
 WAUSAU, WI 54401-8003  
 PH. 715-675-3311

DATA VOLTS: 460

**CERTIFICATION DATA SHEET**

CUSTOMER: \_\_\_\_\_  
 ORDER #: \_\_\_\_\_  
 CONN. DIAGRAM: EE7308T  
 OUTLINE: 035660-800  
 WINDING: HA31122014 NONE 3  
 SPEED: \_\_\_\_\_

CUSTOMER P.O. #: \_\_\_\_\_  
 REFERENCE MODEL #: 182TTGCD6501  
 CAT #: U060B  
 CUSTOMER PART #: \_\_\_\_\_  
 MOUNTING: F1 ONLY  
 FAN: 504205B

**TYPICAL MOTOR PERFORMANCE DATA**

HP	KW	SYNC RPM	FL RPM	FRAME	ENCLOSURE	TYPE	KVA CODE	DESIGN
3	2.2	3600	3535	182T	EPFC	TFB	K	B

PH	HZ	VOLTS	AMPS	START TYPE	DUTY	INSL	S.F.	AMB	ELEV.
3	60/50	230/460#190/380	8/4&6.8/3.4	ACROSS THE LINE	CONT	F	1.0	50	3300

F.L. EFF	86.5	3/4 LD EFF	85.5	1/2 LD EFF	82.5	GTD EFF	ELECT. TYPE
F.L. PF	82.0	3/4 LD PF	74.5	1/2 LD PF	61.6	85.5	SQ CAGE IND RUN

F.L. TORQUE	LR AMPS @ 460 V	L.R. TORQUE	B.D. TORQUE	F.L. RISE (° C)
4.5 LB-FT	32.0	9.0 LB-FT 200%	16.0 LB-FT 356%	40

SOUND PRESSURE @	SOUND	ROTOR WK <sup>2</sup>	MAX. LOAD WK <sup>2</sup>	SAFE STALL TIME	STARTS/HOUR	APPROX.	MOTOR
70 dBA	79 dBA	0.18 LB-FT <sup>2</sup>	5 LB-FT <sup>2</sup>	15 SEC.	2	126 LB.	

**\*\*\* SUPPLEMENTAL INFORMATION \*\*\***

DE BRACKET TYPE	ODE BRACKET TYPE	MOUNT TYPE	MOTOR ORIENTATION	SEVERE DUTY	HAZARDOUS LOCATION	DRIP COVER	SCREENS	PAINT
STANDARD	STANDARD	RIGID	HORIZONTAL	PREMIUM SEVERE DUTY	DIV 1 EXP PROOF CL I GR CD CL II GR FG T3C	NO	NONE	BLUE - RAL 5003 (EPOXY)

BEARINGS	GREASE	SHAFT TYPE	SPECIAL DE	SPECIAL ODE	SHAFT MATERIAL	FRAME MATERIAL
DE BALL 6206	POLYREX EM	T	NONE	NONE	1045 HOT ROLLED (C-204)	CAST IRON

THERMOSTATS	PROTECTORS	WDG RTD's	BRG RTD's	THERMISTORS	CONTROL	SPACE HEATERS
TSTATS (N/C)	NOT	NONE	NONE	NONE	FALSE	NA

R1 (ohms/ph)	R2 (ohms/ph)	X1 (ohms/ph)	X2 (ohms/ph)	Xm (ohms/ph)	VIBRATION (in/sec)	FLOAT
3.368	1.466	5.799	1.769	121.589	0.080	ODE

* N O T E S *	INVERTER TORQUE: NONE	
	INV. HP SPEED RANGE: NONE	
	ENCODER: NONE	
	NONE	NONE PPR
	NONE	NONE

PREPARED BY: _____	BRAKE: NONE
DATE: 8/1/2022	NONE
	FT-LB: NA
	VOLTAGE: NONE
FORM: 3531 REV_4 2/27/06	HZ: _____
UL: NO LETTER - ALL BRANDS-UL LISTED AND CSA CERTIFIED DIV. 1 XP MOTORS	



# CERTIFICATE OF COMPLIANCE

**Certificate Number** 20220221- E12044  
**Report Reference** E12044-20090313  
**Issue Date** 2022-FEBRUARY-21

**Issued to:** REGAL BELOIT AMERICA INC  
1946 W COOK RD  
FORT WAYNE IN 46818

Tradename: Marathon

**This certificate confirms that  
representative samples of**

MOTORS FOR USE IN HAZARDOUS LOCATIONS  
Electric motors for use in hazardous locations; Class I,  
Groups C and D; Class II, Groups F and G; Inclusive of  
Model Number 182TTGCD6501 (may have prefix and/or  
suffix characters).

Have been investigated by UL in accordance with the  
Standard(s) indicated on this Certificate.

**Standard(s) for Safety:** UL 674 - Electric Motors and Generators for Use in Division  
1 Hazardous (Classified) Locations,  
CSA C22.2 No. 145, Electric Motors and Generators for  
Use in Hazardous (Classified) Locations

**Additional Information:** See the UL Online Certifications Directory at  
<https://iq.ulprospector.com> for additional information.

This *Certificate of Compliance* does not provide authorization to apply the UL Mark. Only the UL Follow-Up  
Services Procedure provides authorization to apply the UL Mark.

Only those products bearing the UL Mark should be considered as being UL Certified and covered under UL's  
Follow-Up Services.

Look for the UL Certification Mark on the product.

This is to certify that representative samples of the product as specified on this certificate were tested  
according to the current UL requirements.



Bruce Mahrenholz, Director North American Certification Program  
UL LLC

Any information and documentation involving UL Mark services are provided on behalf of UL LLC (UL) or any authorized licensee of UL. For questions, please  
contact a local UL Customer Service Representative at <http://ul.com/aboutul/locations/>

