

# PRODUCT INFORMATION PACKET

Model No: 182TTFW16040

Catalog No: E2135

XRI® General Purpose General Purpose Motor, 3 HP, 3 Ph, 60 Hz, 575 V, 1800 RPM, 182T Frame, TEFC



Regal and Marathon are trademarks of Regal Rexnord Corporation or one of its affiliated companies.  
©2023 Regal Rexnord Corporation, All Rights Reserved. MC017097E

### Nameplate Specifications

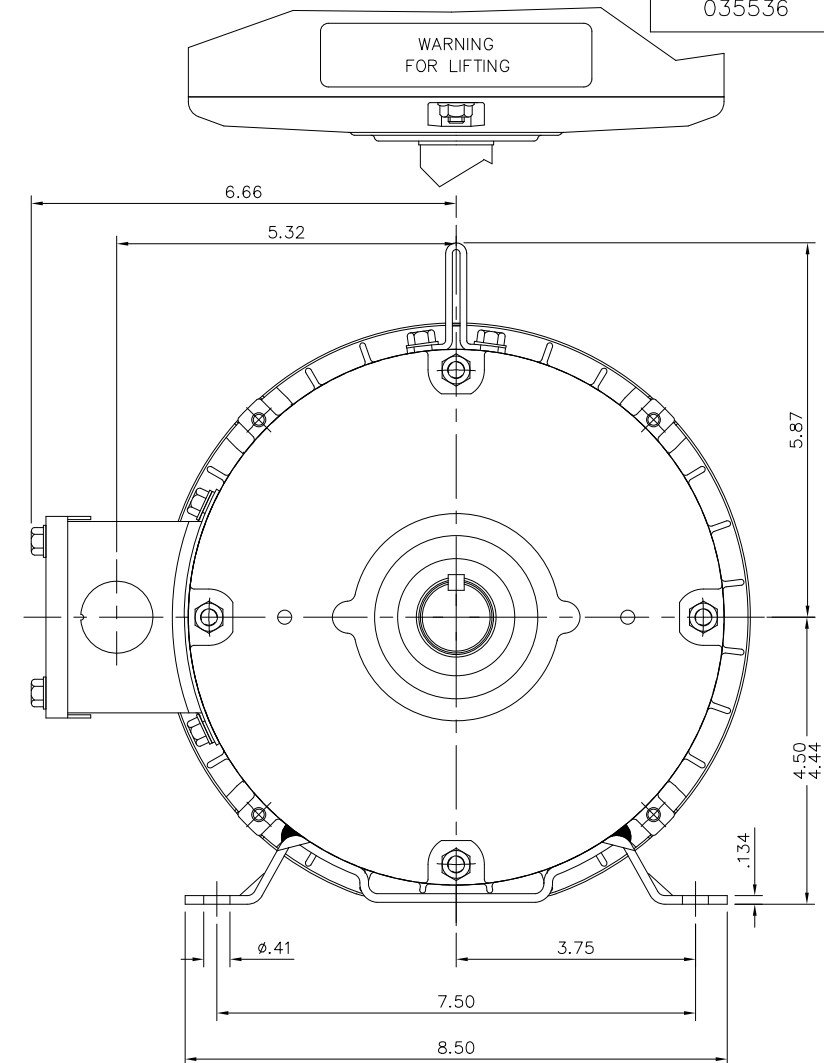
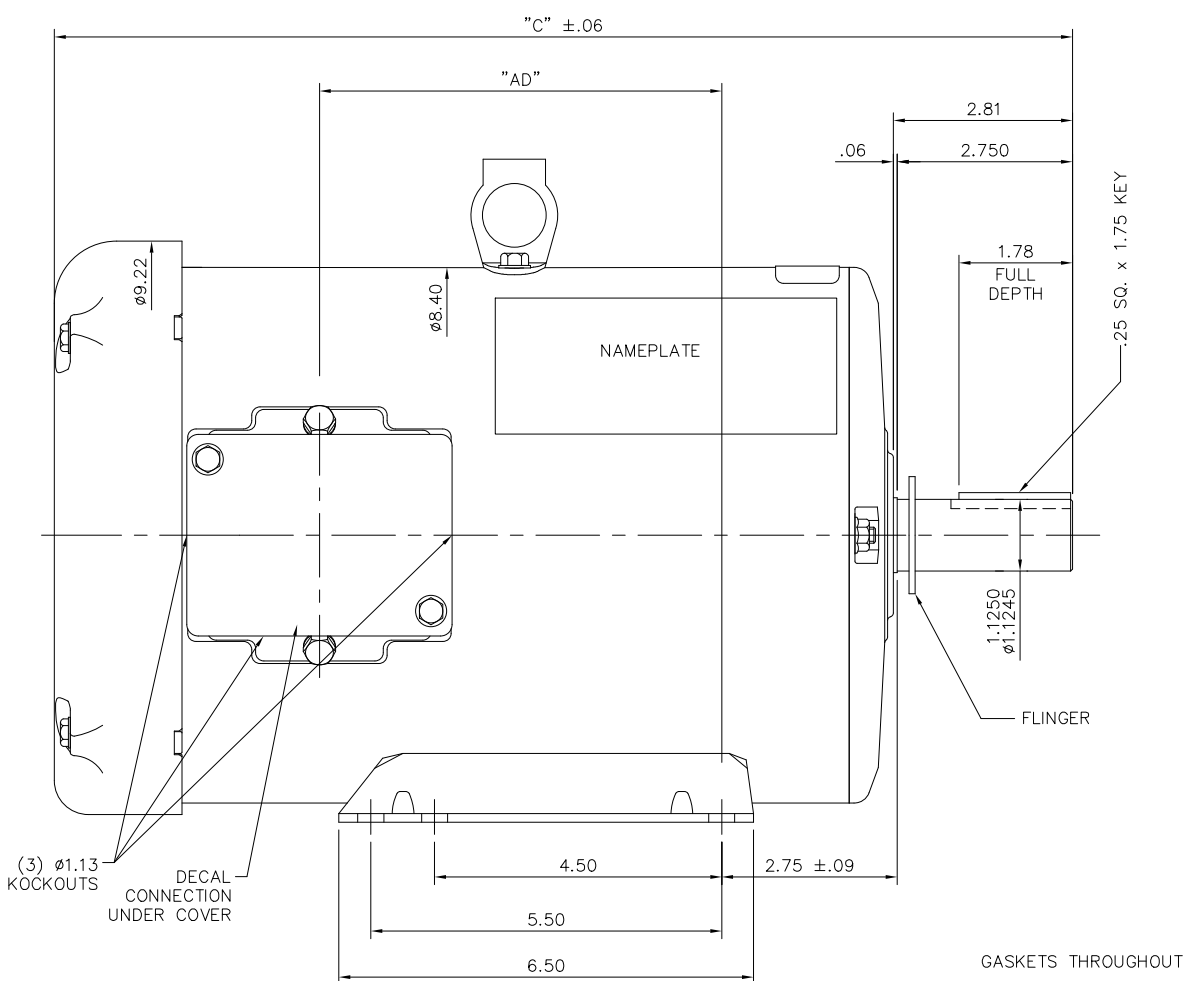
Phase	<b>3</b>	Output HP	<b>3 Hp</b>
Output KW	<b>2.2 kW</b>	Voltage	<b>575 V</b>
Speed	<b>1770 rpm</b>	Service Factor	<b>1.15</b>
Frame	<b>182T</b>	Enclosure	<b>Totally Enclosed Fan Cooled</b>
Thermal Protection	<b>No Protection</b>	Efficiency	<b>89.5 %</b>
Ambient Temperature	<b>40 °C</b>	Frequency	<b>60 Hz</b>
Current	<b>3.1 A</b>	Power Factor	<b>80.5</b>
Duty	<b>Continuous</b>	Insulation Class	<b>F</b>
Design Code	<b>B</b>	KVA Code	<b>K</b>
Drive End Bearing Size	<b>6206</b>	Opp Drive End Bearing Size	<b>6205</b>
UL	<b>Recognized</b>	CSA	<b>Y</b>
CE	<b>Y</b>	IP Code	<b>43</b>
Number of Speeds	<b>1</b>		

### Technical Specifications

Electrical Type	<b>Squirrel Cage Inverter Rated</b>	Starting Method	<b>Line Or Inverter</b>
Poles	<b>4</b>	Rotation	<b>Reversible</b>
Resistance Main	<b>6.08 Ohms</b>	Mounting	<b>Rigid Base</b>
Motor Orientation	<b>Horizontal</b>	Drive End Bearing	<b>Ball</b>
Opp Drive End Bearing	<b>Ball</b>	Frame Material	<b>Rolled Steel</b>
Shaft Type	<b>T</b>	Overall Length	<b>13.97 in</b>
Frame Length	<b>8.50 in</b>	Shaft Diameter	<b>1.125 in</b>
Shaft Extension	<b>2.81 in</b>	Assembly/Box Mounting	<b>F1/F2 Capable</b>
Inverter Load	<b>CONSTANT 10:1</b>		
Outline Drawing	<b>035536-850</b>	Connection Drawing	<b>005102.01ME</b>



035536



(3) Ø1.13 KOCKOUTS  
DECAL CONNECTION UNDER COVER

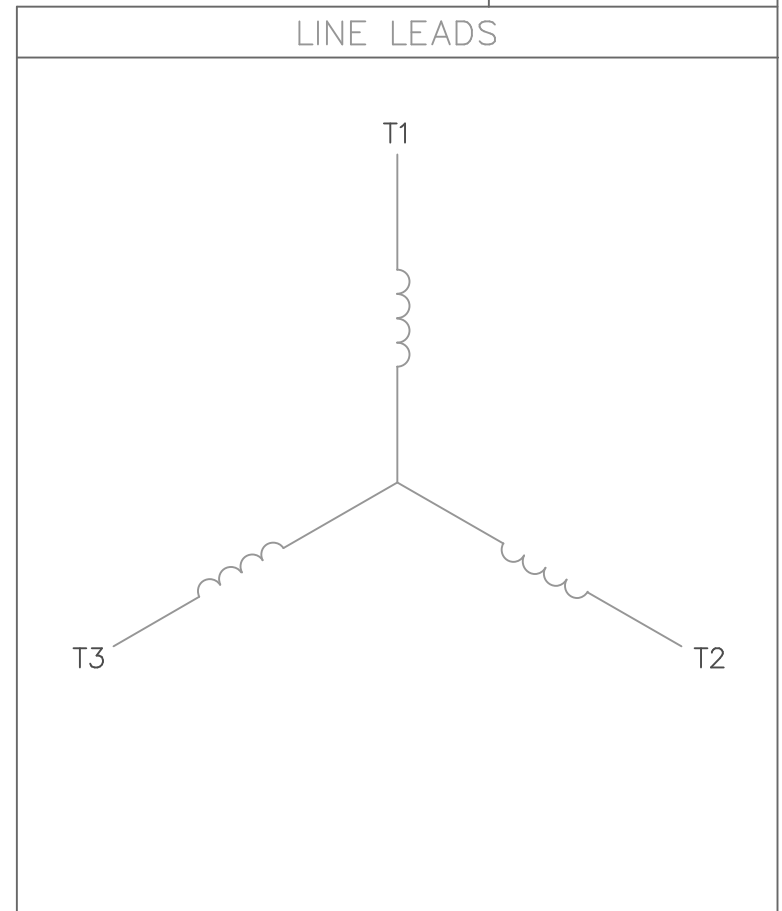
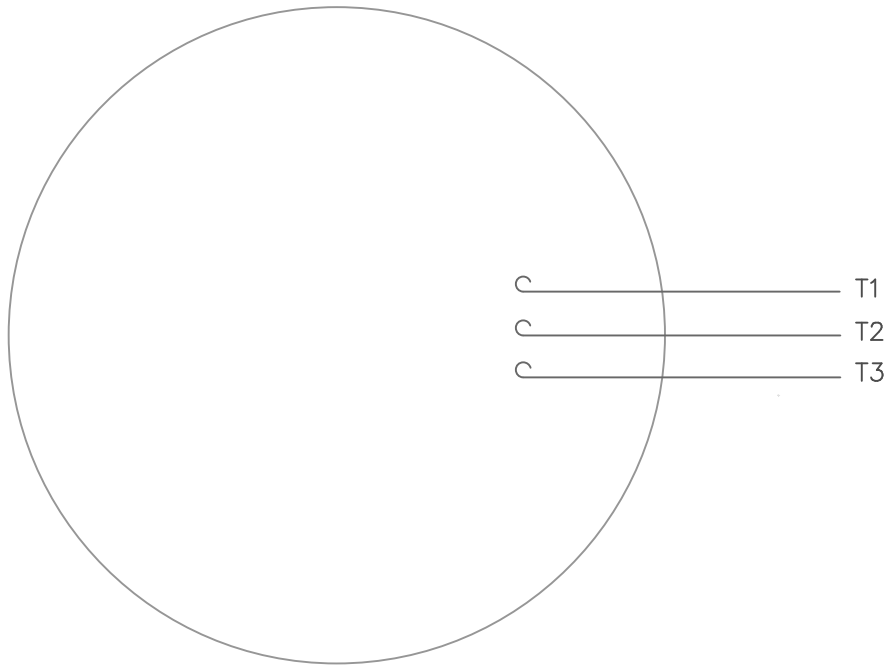
DASH NO.	"C"	"AD"
750	12.97	3.37
800	13.47	3.87
850	13.97	4.37
900	14.47	4.87
950	14.97	5.37
1000	15.47	5.87
1050	15.97	6.37
1100	16.47	6.87
1150	16.97	7.37

ORACLE REV 003

NO.	REVISION	BY & DATE	CHK	ANG	TOLERANCES UNLESS SPECIFIED DEC. INCHES
04	Updated Nameplate location	JG 09/06/23	TS	.X	±.1
03	ADDED FLINGER	PVR 02/10/15	ST	.XX	±.03
02	WHEN REQD NOTE ADDED FOR 'XRI' DECAL	GR 02/07/13	AK	.XXX	±.005
01	UPDATED FRAME LENGTH TABLE	PVR 08/31/12	JD	.XXXX	±.0005

MARATHON ELECTRIC		DRAWN	VV 07/02/07
TITLE		CHK	SV 07/02/07
OUTLINE- 180T FRAME		APPD	VS 07/02/07
TEFC- RIGID		SCALE	1=2
MAT'L		REF	
FINISH		FMF	
CAD FILE		PREV	
035536		SIZE	DRAWING NO.
B		035536	
RFP		REV.	04
DIST			

VIEW FROM OUTSIDE OF MOTOR AT SWITCH END.



CONNECT LEADS AS FOLLOWS  
FOR FOUR CONDUCTOR CORD ( )

CORD	L1 (RED)	L2 (WHITE)	L3 (BLACK)	(GREEN)
MOTOR	T1	T2	T3	GROUND

				TOLERANCES UNLESS SPECIFIED			DRAWN RDW 5/1/02		
				DEC.	INCHES		CHK		
				.X	±.1		APPD		
				.XX	±.01		SCALE 1=1		
				.XXX	±.005		REF		
				.XXXX	±.0005	MAT'L. DECAL - 004169	FMF		
NO.	REVISION	BY & DATE	CHK	ANG	±1/2'	FINISH	PREV		
THIS DRAWING IN DESIGN AND DETAIL IS OUR PROPERTY AND MUST NOT BE USED EXCEPT IN CONNECTION WITH OUR WORK ALL RIGHTS OF DESIGN AND INVENTION ARE RESERVED THIS IS AN ELECTRONICALLY GENERATED DOCUMENT - DO NOT SCALE THIS PRINT				RFP	5/1/02	CAD FILE 00510201ME	SIZE A	DRAWING NO. 005102-01ME	REV.
				DIST					



Data Sheet

Date: 19-06-2017  
 Customer: \_\_\_\_\_  
 Attention: \_\_\_\_\_  
 Submitted by: FAREEDA DUDEKULA



182TTFW16040

Submittal

Data @ 575 V

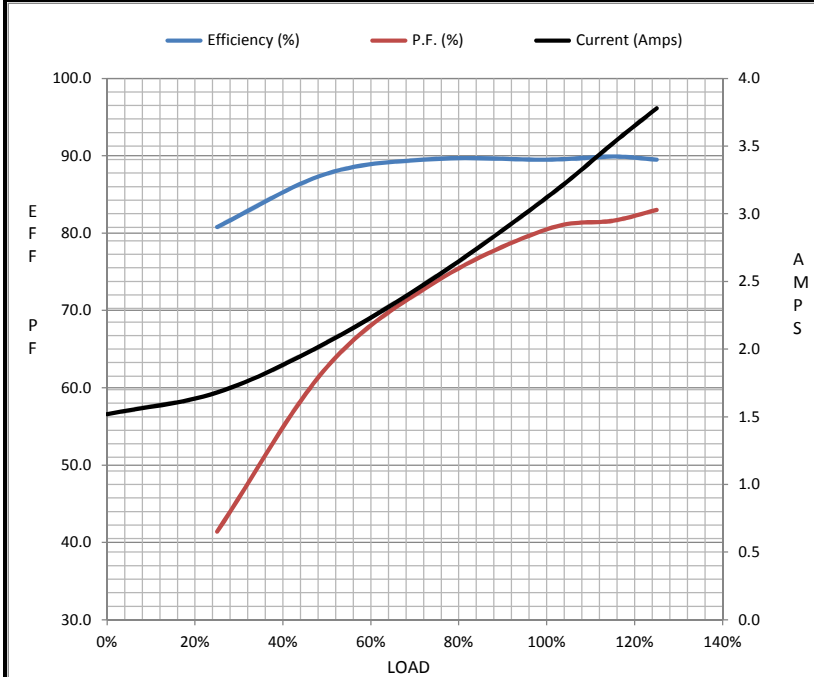
Motor Load Data

Load	0%	25%	50%	75%	100%	115%	125%	LR
Current (Amps)	1.52	1.68	2.05	2.54	3.1	3.5	3.8	26.8
Torque (ft-lb)	0.00	2.20	4.4	6.6	8.9	10.3	11.2	22.5
RPM	1800	1792	1785	1777	1770	1,766	1755	0
Efficiency (%)		80.8	87.7	89.6	89.5	89.9	89.5	
P.F. (%)	6.9	41.4	62.7	73.8	80.5	81.6	83.0	0.0

Motor Speed Data

	LR	Pull-Up	BD	Rated	Idle
Speed (RPM)	0	900	1656	1770	1800
Current (Amps)	26.8	26.4	17.2	3.1	1.52
Torque (ft-lb)	22.5	21.0	36.0	8.9	0.00

Information Block				
HP	3.0			
Sync. RPM	1800			
Frame	182			
Enclosure	TEFC			
Construction	TFW			
Voltage	575 V			
Frequency	60 Hz			
Design	B			
LR Code letter	K			
Service Factor	1.15			
Temp Rise @ FL	40 °C			
Duty	CONT			
Ambient	40 °C			
Elevation	1,000 feet			
Rotor/Shaft wk <sup>2</sup>	0.38 Lb-Ft <sup>2</sup>			
Ref Wdg	T84174 FR			
Sound Pressure @ 1M	0 dBA			
VFD Rating	CONSTANT 10:1			
Outline Dwg	035536-850			
Conn. Diag	005102.01ME			
Additional Specifications:				
0				
365THFS8036				
EQUIV CKT (OHMS / PHASE)				
R1	R2	X1	X2	Xm
0.0000	0.0000	0.0000	0.0000	0.0000



Speed - Torque Curve

