

PRODUCT INFORMATION PACKET

marathon[®]
Motors

Model No: 182TTFR9317

Catalog No: M875

3 HP Vertical Pump Motor, 3 phase, 3600 RPM, 230/460 V, 182HPV Frame, TEFC
Vertical Pump Motors

Regal and Marathon are trademarks of Regal Rexnord Corporation or one of its affiliated companies.
©2021 Regal Rexnord Corporation, All Rights Reserved. MC017097E

RegalRexnord



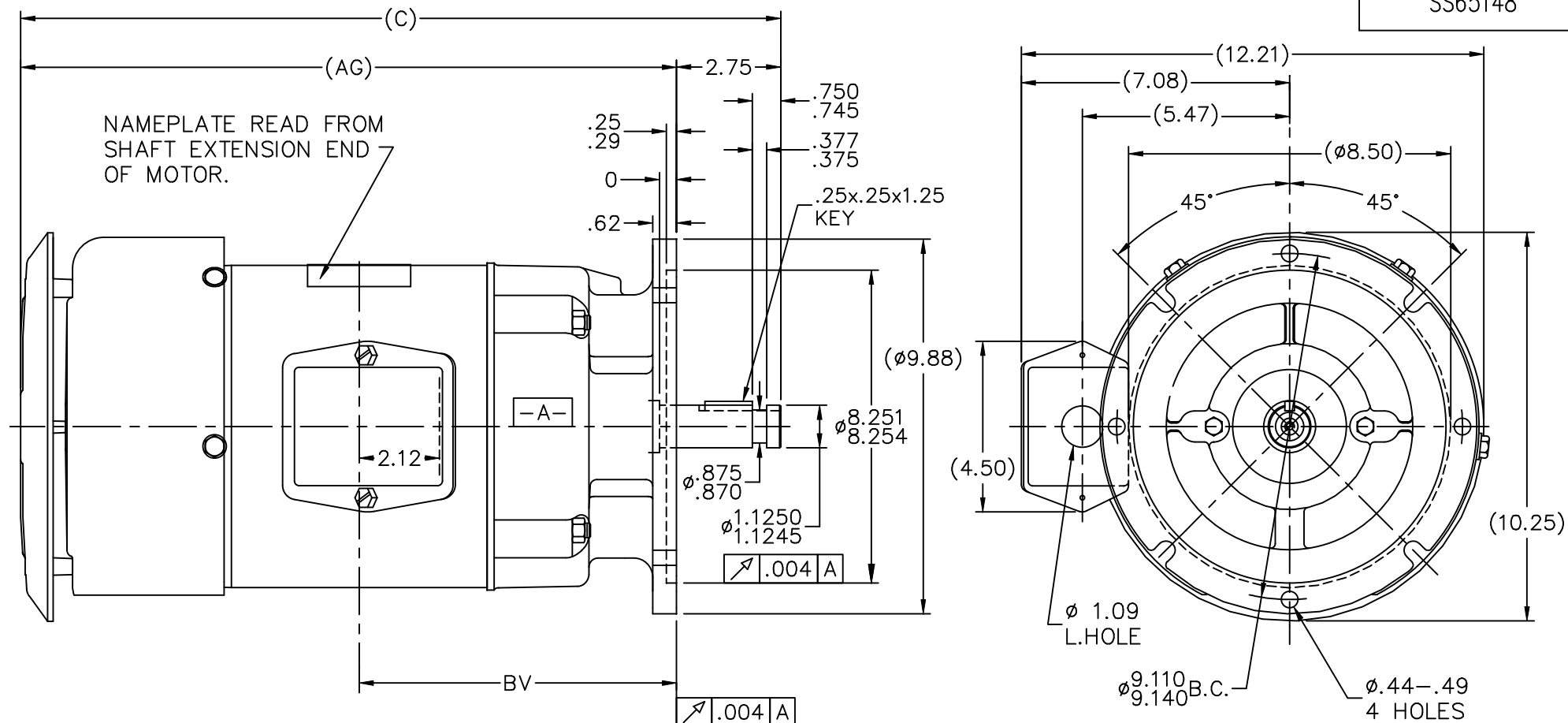
Nameplate Specifications

Output HP	3 Hp	Output KW	2.2 kW
Frequency	60 Hz	Voltage	230/460 V
Current	7.8/3.9 A	Speed	3475 rpm
Service Factor	1.15	Phase	3
Efficiency	82.5 %	Power Factor	87.3
Duty	Continuous	Insulation Class	F
Design Code	B	KVA Code	J
Frame	182HPV	Enclosure	Totally Enclosed Fan Cooled
Thermal Protection	No	Ambient Temperature	40 °C
Drive End Bearing Size	6207	Opp Drive End Bearing Size	6205
UL	Recognized	CSA	Y
CE	N	IP Code	43
Number of Speeds	1		

Technical Specifications

Electrical Type	Squirrel Cage Induction Run	Starting Method	Across The Line
Poles	2	Rotation	Reversible
Resistance Main	5.16 Ohms	Mounting	Round
Motor Orientation	Shaft Down	Drive End Bearing	Ball
Opp Drive End Bearing	Ball	Frame Material	Rolled Steel
Shaft Type	HP	Overall Length	18.05 in
Frame Length	5.75 in	Shaft Diameter	1.125 in
Shaft Extension	2.75 in	Assembly/Box Mounting	F1/F2 CAPABLE
Connection Drawing	A-EE7308	Outline Drawing	A-SS65148-575

This is an uncontrolled document once printed or downloaded and is subject to change without notice. Date Created:10/12/2021



DASH	FR.	C	AG	BV
575	182HP	18.05	15.30	7.88
675	182/4	19.05	16.30	8.38
775	182/4	20.05	17.30	8.88

BOX CAN BE ROTATED IN 90° STEPS.

NO.	REVISION	BY & DATE	CHK	TOLERANCES UNLESS SPECIFIED		MARATHON ELECTRIC	DRAWN KL 06-27-1994 CHK ML 07-05-1994 APPD GK 07-05-1994			
				DEC.	INCHES					
14	UPDATED DRAWING	RJW 04-20-2007		DEC.	INCHES	TITLE OUTLINE 180HP FR. - BB - TS - TEFC - 'P' BASE	SCALE 1=4			
13	REDRAWN IN AUTOCAD	TAT 07-22-2004	ML	.X	±.1		REF			
12	NEW FAN GUARD AND DRIP COVER CN 28434	TJB 11-11-1999		.XX	±.03	MAT'L.	FMF			
11	ADDED -775, CORRECTED 'AG' & 'C' VALUES	MJD 08-11-1999		.XXX	±.005		PREV			
10	ADDED MOUNTING TYPE CN 27451	DRS 05-04-1999		.XXXX	±.0005	FINISH				
THIS DRAWING IN DESIGN AND DETAIL IS OUR PROPERTY AND MUST NOT BE USED EXCEPT IN CONNECTION WITH OUR WORK ALL RIGHTS OF DESIGN AND INVENTION ARE RESERVED THIS IS AN ELECTRONICALLY GENERATED DOCUMENT - DO NOT SCALE THIS PRINT				RFP	CAD FILE ss65148		SIZE A	DRAWING NO. SS65148	PAGE OF	REV. 14
				DIST LB						

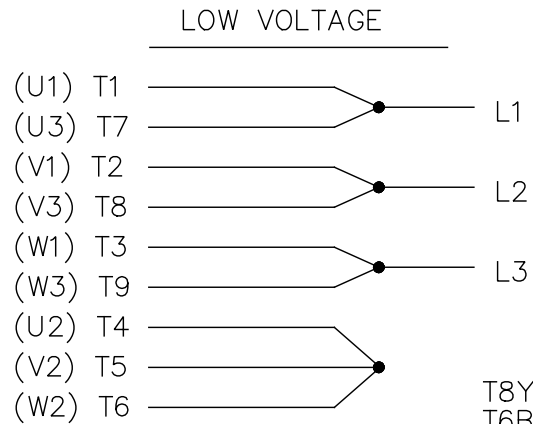
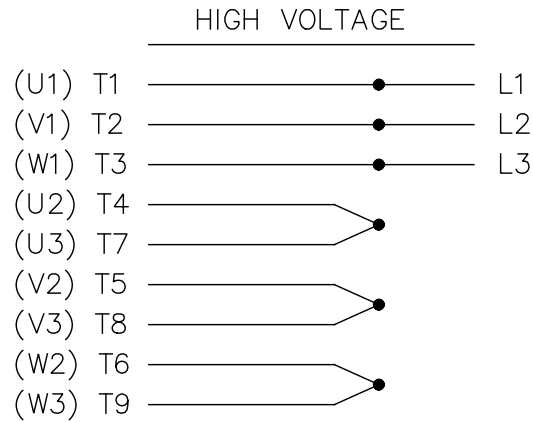
```
ERROR: syntaxerror  
OFFENDING COMMAND: --nostringval--
```

```
STACK:
```

```
/im  
-savelevel-
```

EE7308

THREE PHASE
DUAL VOLTAGE MOTOR



VIEW OF TERMINAL END

REF.
WINDING DIAGRAM

T8Y, T2Y, T2BL, T4BX, T2EC, T2G
T6BZ, T2B, T6BL, T4AV, T6B, T4B

OPTIONAL CORD
CONNECTION

L1 — WHITE
L2 — RED
L3 — BLACK

NO.	REVISION	BY & DATE	CHK	ANG	TOLERANCES UNLESS SPECIFIED		FINISH	DRAWN RM 11/20/1990				
					DEC.	INCHES						
5	CHG TO REGAL LOGO	SL 09/10/2015	AB					CHK ML 11/21/1990				
4	REVISED IEC NOTATIONS	MSG 11/15/2011	CMN	.X	±.1			APPD SAS 04/24/2003				
3	ADDED IEC NOTATIONS... (U1), (V1) ETC. MU95194	MSG 5/10/2010	MJS	.XX	±.02			SCALE 1=1				
2	ADDED THE OPTIONAL CORD CONNECTION MU46318	RDH 04/24/2003	DRS	.XXX	±.005		TITLE CONNECTION DIAGRAM 3Ø - DUAL VOLTAGE MOTOR	REF				
1	REDRAWN	RM 11/20/1990		.XXXX	±.0005		MAT'L.	FMF				
					±7'30"			PREV				
THIS DRAWING IN DESIGN AND DETAIL IS OUR PROPERTY AND MUST NOT BE USED EXCEPT IN CONNECTION WITH OUR WORK ALL RIGHTS OF DESIGN AND INVENTION ARE RESERVED THIS IS AN ELECTRONICALLY GENERATED DOCUMENT - DO NOT SCALE THIS PRINT							RFP	CAD FILE ee7308	SIZE A	DRAWING NO. EE7308	PAGE OF 5	REV. 5
							DIST WP					



Regal Beloit America, Inc.