

# PRODUCT INFORMATION PACKET

**marathon**<sup>®</sup>  
Motors

Model No: 182TTFR4076

Catalog No: E982

Other Purpose Motor, 1.50 & 1 HP, 3 Ph, 60 & 50 Hz, 230/460 & 190/380 V, 1200 & 1000 RPM,  
182T Frame, TEFC

Regal and Marathon are trademarks of Regal Rexnord Corporation or one of its affiliated companies.

©2023 Regal Rexnord Corporation, All Rights Reserved. MC017097E

**RegalRexnord**

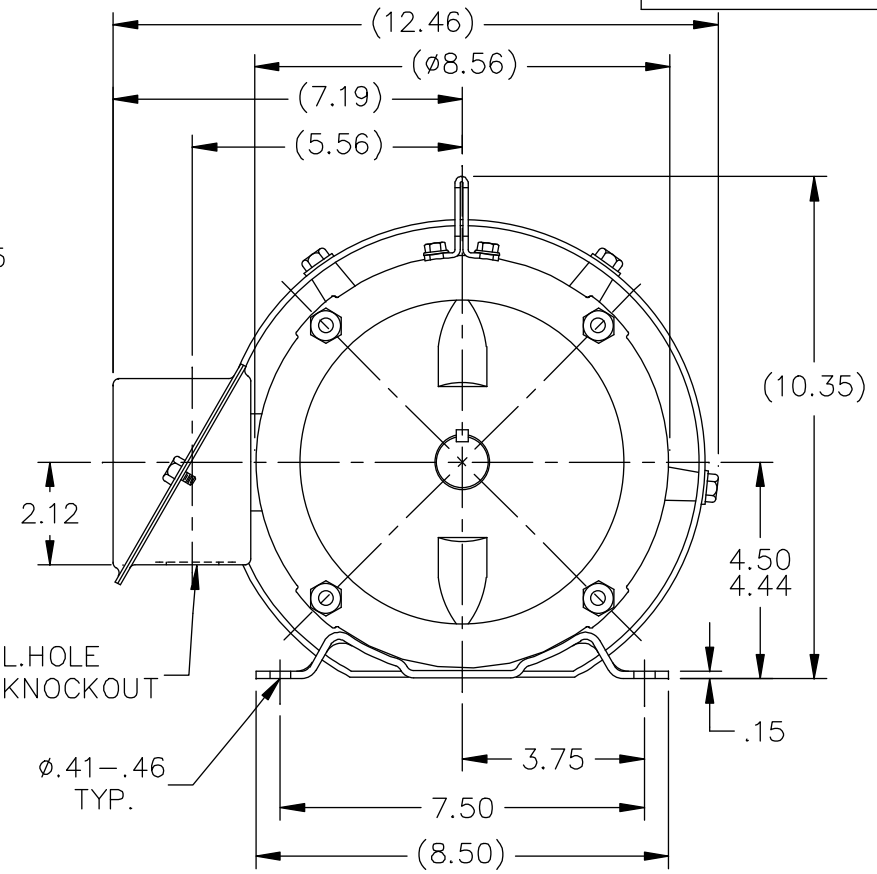
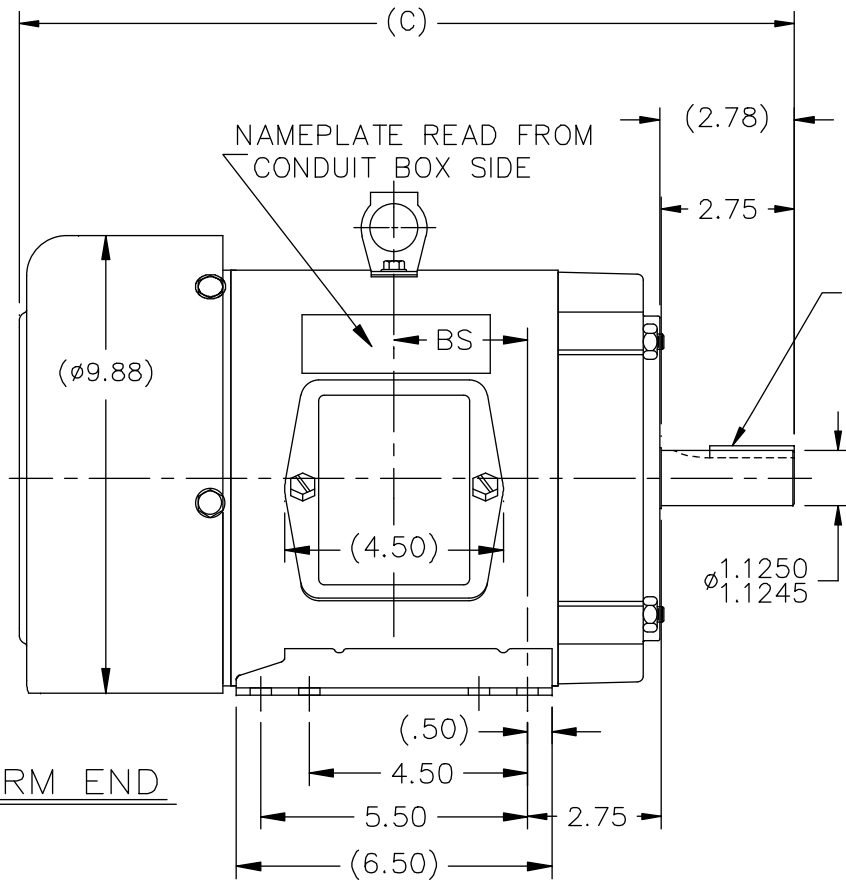
### Nameplate Specifications

Phase	<b>3</b>	Output HP	<b>1.50 &amp; 1 Hp</b>
Output KW	<b>1.1 &amp; 0.75 kW</b>	Voltage	<b>230/460 &amp; 190/380 V</b>
Speed	<b>1175 &amp; 980 rpm</b>	Service Factor	<b>1.15 &amp; 1.15</b>
Frame	<b>182T</b>	Enclosure	<b>Totally Enclosed Fan Cooled</b>
Thermal Protection	<b>No Protection</b>	Efficiency	<b>85.5 &amp; 85.5 %</b>
Ambient Temperature	<b>40 °C</b>	Frequency	<b>60 &amp; 50 Hz</b>
Current	<b>5/2.5 &amp; 4.4/2.2 A</b>	Power Factor	<b>66</b>
Duty	<b>Continuous</b>	Insulation Class	<b>F</b>
Design Code	<b>B</b>	KVA Code	<b>K</b>
Drive End Bearing Size	<b>6206</b>	Opp Drive End Bearing Size	<b>6205</b>
UL	<b>Recognized</b>	CSA	<b>Y</b>
CE	<b>Y</b>	IP Code	<b>43</b>
Number of Speeds	<b>1</b>		

### Technical Specifications

Electrical Type	<b>Squirrel Cage Induction Run</b>	Starting Method	<b>Across The Line</b>
Poles	<b>6</b>	Rotation	<b>Reversible</b>
Resistance Main	<b>8.92 Ohms</b>	Mounting	<b>Rigid Base</b>
Motor Orientation	<b>Horizontal</b>	Drive End Bearing	<b>Ball</b>
Opp Drive End Bearing	<b>Ball</b>	Frame Material	<b>Rolled Steel</b>
Shaft Type	<b>T</b>	Overall Length	<b>14.97 in</b>
Frame Length	<b>5.75 in</b>	Shaft Diameter	<b>1.125 in</b>
Shaft Extension	<b>2.75 in</b>	Assembly/Box Mounting	<b>F1/F2 CAPABLE</b>
Connection Drawing	<b>A-EE7308</b>	Outline Drawing	<b>A-SS65651-575</b>

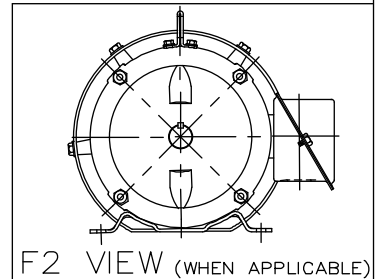
SS65651



TERM END

DASH	FR.	C	BS	MOUNTING
575	182T	14.97	2.25	F1 OR F2
625	182/4T	15.47	2.50	F1 OR F2
675	182/4T	15.97	2.75	F1 OR F2
725	182/4T	16.47	3.00	F1 ONLY
775	182/4T	16.97	3.25	F1 ONLY
825	182/4T	17.47	3.50	F1 ONLY

- NOTES
1. CONDUIT BOX CAN BE ROTATED IN 90° STEPS.
  2. CONDUIT BOX CAN BE MOUNTED ON OPPOSITE SIDE BY REMOVING BRACKETS AND TURNING FRAME 180°.



NO.	REVISION	BY & DATE	CHK	ANG	±7'30"
11	REMOVED "TS" FROM TITLE BLOCK	TAT 06-15-2006	ML		
10	ADDED NEW LIFT LUG CN 32420	ERH 09-24-2003	ML	DEC.	INCHES
9	ADDED LIFT LUG CN 34025	DRS 06-21-2001		.X	±.1
8	REVISED MOUNTING CN 27400-320	BJW 11-12-1999		.XX	±.03
7	ADDED MOUNTING TO DASH TABLE	MRB 10-17-1998		.XXX	±.005
6	RE-ISSUE ADDED (7.19) DIMENSION.	MH 01-29-1998		.XXXX	±.0005

TOLERANCES UNLESS SPECIFIED	FINISH
DEC.	
.X	
.XX	
.XXX	
.XXXX	
±7'30"	



TITLE OUTLINE  
180T FR. - BB - TEFC  
MAT'L.  
FINISH

DRAWN DJK 04-16-1993
CHK ML 07-20-1993
APPD GK 07-20-1993
SCALE 1=4
REF
FMF
PREV

THIS DRAWING IN DESIGN AND DETAIL IS OUR PROPERTY AND MUST NOT BE USED EXCEPT IN CONNECTION WITH OUR WORK ALL RIGHTS OF DESIGN AND INVENTION ARE RESERVED THIS IS AN ELECTRONICALLY GENERATED DOCUMENT - DO NOT SCALE THIS PRINT

RFP	CAD FILE ss65651	SIZE A	DRAWING NO. SS65651	PAGE OF	REV. 11
DIST LB					

EE7308

THREE PHASE  
DUAL VOLTAGE MOTOR



VIEW OF TERMINAL END

REF.  
WINDING DIAGRAM

T8Y, T2Y, T2BL, T4BX, T2EC, T2G  
T6BZ, T2B, T6BL, T4AV, T6B, T4B

OPTIONAL CORD  
CONNECTION

L1 — WHITE  
L2 — RED  
L3 — BLACK

NO.	REVISION	BY & DATE	CHK	ANG	TOLERANCES UNLESS SPECIFIED		FINISH	DRAWING NO.	PAGE	OF	REV.
					DEC.	INCHES					
5	CHG TO REGAL LOGO	SL 09/10/2015	AB					EE7308			
4	REVISED IEC NOTATIONS	MSG 11/15/2011	CMN	.X	±.1						
3	ADDED IEC NOTATIONS... (U1), (V1) ETC. MU95194	MSG 5/10/2010	MJS	.XX	±.02						
2	ADDED THE OPTIONAL CORD CONNECTION MU46318	RDH 04/24/2003	DRS	.XXX	±.005						
1	REDRAWN	RM 11/20/1990		.XXXX	±.0005						
					±7'30"						
THIS DRAWING IN DESIGN AND DETAIL IS OUR PROPERTY AND MUST NOT BE USED EXCEPT IN CONNECTION WITH OUR WORK ALL RIGHTS OF DESIGN AND INVENTION ARE RESERVED THIS IS AN ELECTRONICALLY GENERATED DOCUMENT - DO NOT SCALE THIS PRINT							RFP	CAD FILE ee7308	SIZE A	DRAWING NO. EE7308	PAGE 5
							DIST WP				

**REGAL**™ Regal Beloit America, Inc.

TITLE CONNECTION DIAGRAM  
3Ø - DUAL VOLTAGE MOTOR

DRAWN RM 11/20/1990  
CHK ML 11/21/1990  
APPD SAS 04/24/2003  
SCALE 1=1  
REF  
FMF  
PREV