

PRODUCT INFORMATION PACKET

marathon[®]
Motors

Model No: 182TTFC4026

Catalog No: U607

Other Purpose Motor, 3 & 2 HP, 3 Ph, 60 & 50 Hz, 208-230/460 & 190/380 V, 1800 & 1500 RPM,
182T Frame, TEFC

Regal and Marathon are trademarks of Regal Rexnord Corporation or one of its affiliated companies.

©2023 Regal Rexnord Corporation, All Rights Reserved. MC017097E

RegalRexnord



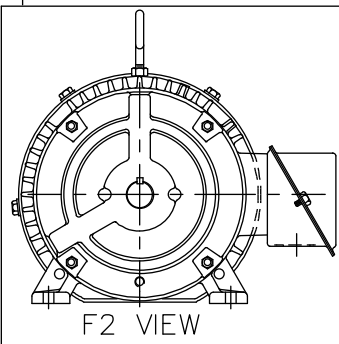
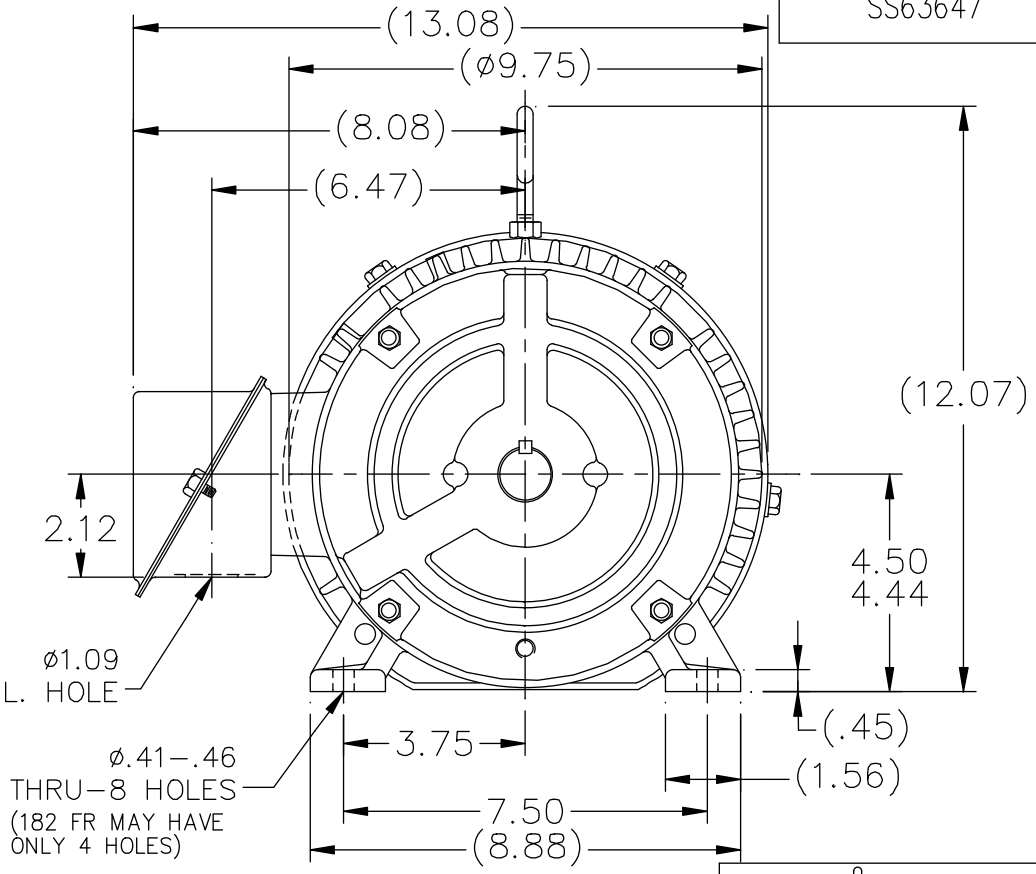
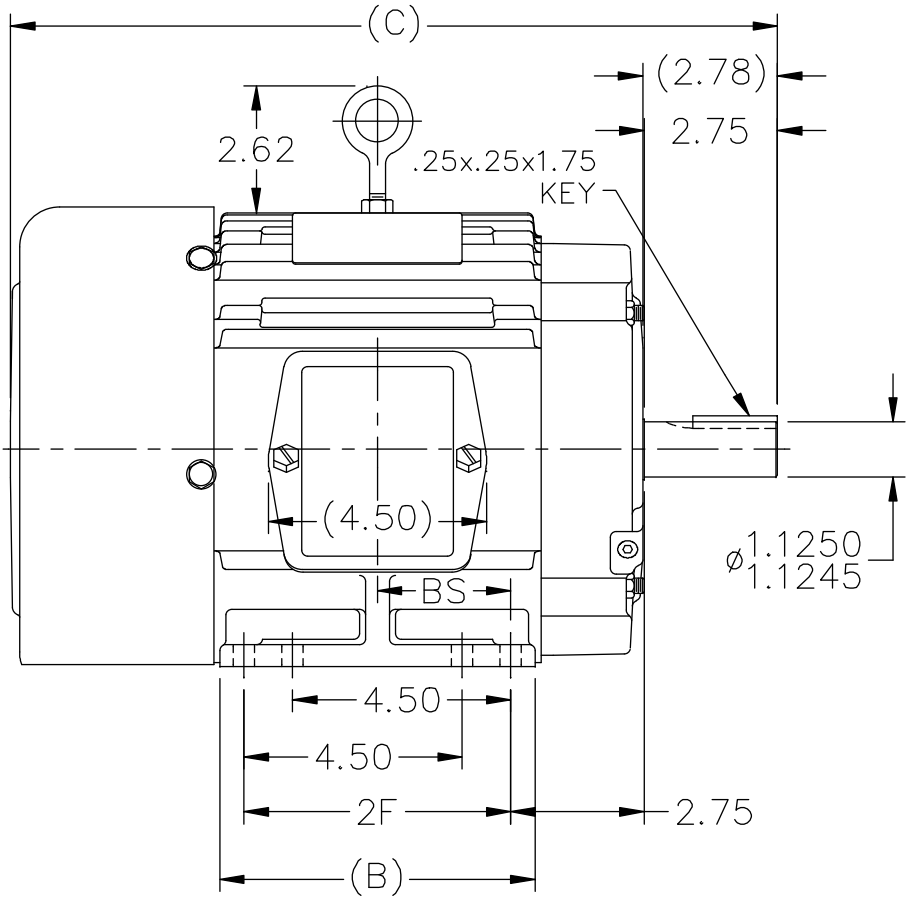
Nameplate Specifications

| | | | |
|------------------------|------------------------------------|----------------------------|------------------------------------|
| Phase | 3 | Output HP | 3 & 2 Hp |
| Output KW | 2.2 & 1.5 kW | Voltage | 208-230/460 & 190/380 V |
| Speed | 1760 & 1470 rpm | Service Factor | 1.15 & 1.15 |
| Frame | 182T | Enclosure | Totally Enclosed Fan Cooled |
| Thermal Protection | No Protection | Efficiency | 87.5 & 86.5 % |
| Ambient Temperature | 40 °C | Frequency | 60 & 50 Hz |
| Current | 8.2-7.6/3.8 & 6.4/3.2 A | Power Factor | 83.5 |
| Duty | Continuous | Insulation Class | F |
| Design Code | B | KVA Code | K |
| Drive End Bearing Size | 6206 | Opp Drive End Bearing Size | 6205 |
| UL | Recognized | CSA | Y |
| CE | Y | IP Code | 43 |
| Number of Speeds | 1 | | |

Technical Specifications

| | | | |
|-----------------------|------------------------------------|-----------------------|------------------------|
| Electrical Type | Squirrel Cage Induction Run | Starting Method | Across The Line |
| Poles | 4 | Rotation | Reversible |
| Resistance Main | 4.42 Ohms | Mounting | Rigid Base |
| Motor Orientation | Horizontal | Drive End Bearing | Ball |
| Opp Drive End Bearing | Ball | Frame Material | Cast Iron |
| Shaft Type | T | Overall Length | 14.81 in |
| Frame Length | 5.75 in | Shaft Diameter | 1.125 in |
| Shaft Extension | 2.78 in | Assembly/Box Mounting | F1/F2 CAPABLE |
| Outline Drawing | A-SS63647-575 | Connection Drawing | A-EE7308 |

SS63647



- NOTES:
1. CONDUIT BOX CAN BE ROTATED IN 90° STEPS.
 2. CONDUIT BOX CAN BE MOUNTED ON OPPOSITE SIDE BY REMOVING BRACKETS AND TURNING FRAME 180°
 3. NAMEPLATE TO BE READ FROM CONDUIT BOX SIDE OF MOTOR

| DASH | FR. | C | B | 2F | BS | MOUNTING |
|------|--------|-------|------|------|------|----------|
| 575 | 182T | 14.81 | 5.50 | 4.50 | 2.25 | F1 OR F2 |
| 675 | 182/4T | 15.81 | 6.50 | 5.50 | 2.75 | F1 OR F2 |
| 800 | 182/4T | 17.06 | 7.75 | 5.50 | 3.38 | F1 ONLY |

| NO. | REVISION | BY & DATE | CHK | TOLERANCES UNLESS SPECIFIED | | FINISH | DRAWN SMC 04-07-1993 | | |
|--|--|----------------|-----|-----------------------------|------------------|---------------------------|----------------------|---------------------|------------|
| | | | | DEC. | INCHES | | | | |
| 11 | ADDED F2 VIEW | | HLB | | | | CHK ML 04-12-1993 | | |
| 10 | REVISED DASH 575 WAS F1 ONLY CN 29200-90 | CAV 01-31-2000 | | .X | ±.1 | | APPD GK 04-19-1993 | | |
| 9 | ADDED 4 EXTRA FOOT HOLES | MRB 07-02-1998 | | .XX | ±.03 | TITLE OUTLINE | SCALE 1=4 | | |
| 8 | REVISED SHAFT HEIGHT CN 16763 | BRH 03-18-1996 | | .XXX | ±.005 | 180T FR. - BB - TS - TEFC | REF | | |
| 7 | REDRAWN ON CADD | SMC 04-20-1993 | | .XXXX | ±.0005 | MAT'L. | FMF | | |
| | | | | ANG | ±7'30" | | PREV | | |
| THIS DRAWING IN DESIGN AND DETAIL IS OUR PROPERTY AND MUST NOT BE USED EXCEPT IN CONNECTION WITH OUR WORK ALL RIGHTS OF DESIGN AND INVENTION ARE RESERVED THIS IS AN ELECTRONICALLY GENERATED DOCUMENT - DO NOT SCALE THIS PRINT | | | | RFP | CAD FILE ss63647 | | SIZE A | DRAWING NO. SS63647 | PAGE OF 11 |
| | | | | DIST LB | | | | | |

EE7308

THREE PHASE
DUAL VOLTAGE MOTOR



VIEW OF TERMINAL END

REF.
WINDING DIAGRAM

T8Y, T2Y, T2BL, T4BX, T2EC, T2G
T6BZ, T2B, T6BL, T4AV, T6B, T4B

OPTIONAL CORD
CONNECTION

L1 — WHITE
L2 — RED
L3 — BLACK

| NO. | REVISION | BY & DATE | CHK | ANG | TOLERANCES UNLESS SPECIFIED | | FINISH | DRAWN RM 11/20/1990 | | | | |
|--|--|----------------|-----|-------|--------------------------------|--------|--------------------------|---------------------|--------|--------------------|-----------|--------|
| | | | | | DEC. | INCHES | | | | | | |
| 5 | CHG TO REGAL LOGO | SL 09/10/2015 | AB | | | | | CHK ML 11/21/1990 | | | | |
| 4 | REVISED IEC NOTATIONS | MSG 11/15/2011 | CMN | .X | ±.1 | | | APPD SAS 04/24/2003 | | | | |
| 3 | ADDED IEC NOTATIONS... (U1), (V1) ETC. MU95194 | MSG 5/10/2010 | MJS | .XX | ±.02 | | TITLE CONNECTION DIAGRAM | SCALE 1=1 | | | | |
| 2 | ADDED THE OPTIONAL CORD CONNECTION MU46318 | RDH 04/24/2003 | DRS | .XXX | ±.005 | | 3Ø - DUAL VOLTAGE MOTOR | REF | | | | |
| 1 | REDRAWN | RM 11/20/1990 | | .XXXX | ±.0005 | | MAT'L. | FMF | | | | |
| | | | | | ±7'30" | | | PREV | | | | |
| THIS DRAWING IN DESIGN AND DETAIL IS OUR PROPERTY AND MUST NOT BE USED EXCEPT IN CONNECTION WITH OUR WORK ALL RIGHTS OF DESIGN AND INVENTION ARE RESERVED THIS IS AN ELECTRONICALLY GENERATED DOCUMENT - DO NOT SCALE THIS PRINT | | | | | | | RFP | CAD FILE ee7308 | SIZE A | DRAWING NO. EE7308 | PAGE OF 5 | REV. 5 |
| | | | | | | | DIST WP | | | | | |

