

# PRODUCT INFORMATION PACKET

Model No: 182TTFBD6006

Catalog No: GT3109A

Globetrotter® Close-Coupled Pump Motor, 3 & 2 HP, 3 Ph, 60 & 50 Hz, 230/460 & 190/380 V,  
3600 & 3000 RPM, 182JM Frame, TEFC



### Nameplate Specifications

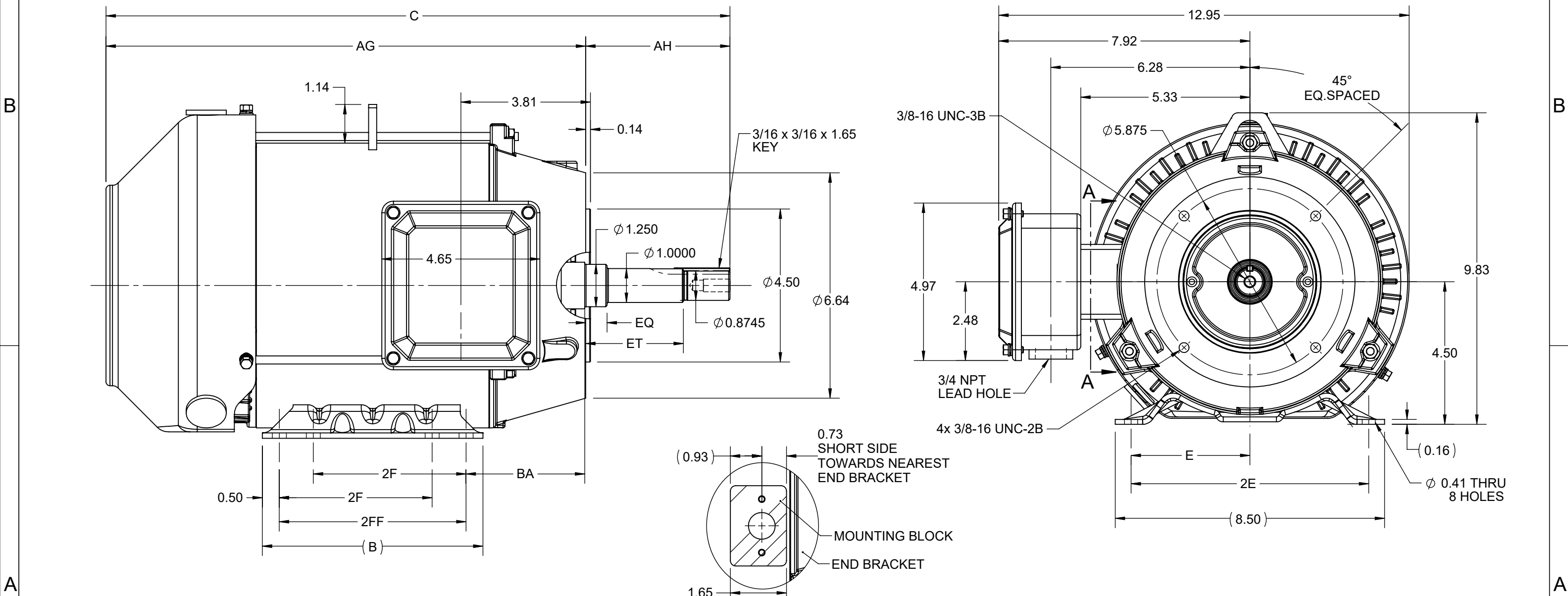
Phase	<b>3</b>	Output HP	<b>3 &amp; 2 Hp</b>
Output KW	<b>2.2 &amp; 1.5 kW</b>	Voltage	<b>230/460 &amp; 190/380 V</b>
Speed	<b>3530 &amp; 2944 rpm</b>	Service Factor	<b>1.15 &amp; 1.15</b>
Frame	<b>182JM</b>	Enclosure	<b>Totally Enclosed Fan Cooled</b>
Thermal Protection	<b>No Protection</b>	Efficiency	<b>86.5 &amp; 84.9 %</b>
Ambient Temperature	<b>40 °C</b>	Frequency	<b>60 &amp; 50 Hz</b>
Current	<b>8/4 &amp; 6.8/3.4 A</b>	Power Factor	<b>82</b>
Duty	<b>Continuous</b>	Insulation Class	<b>F</b>
Design Code	<b>A</b>	KVA Code	<b>L</b>
Drive End Bearing Size	<b>6307</b>	Opp Drive End Bearing Size	<b>6205</b>
UL	<b>Listed</b>	CSA	<b>Y</b>
CE	<b>Y</b>	IP Code	<b>43</b>
Number of Speeds	<b>1</b>	Hazardous Location	<b>DIVISION 2 T2B</b>

### Technical Specifications

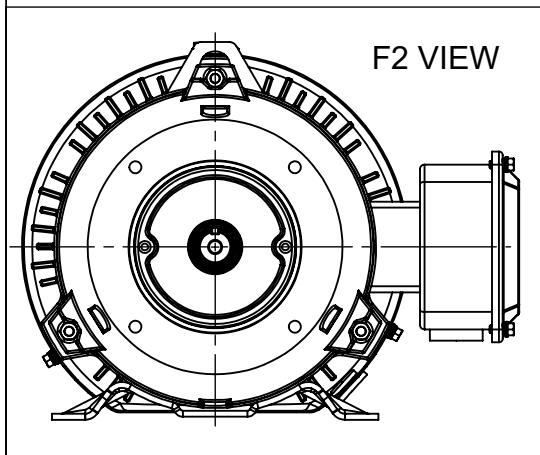
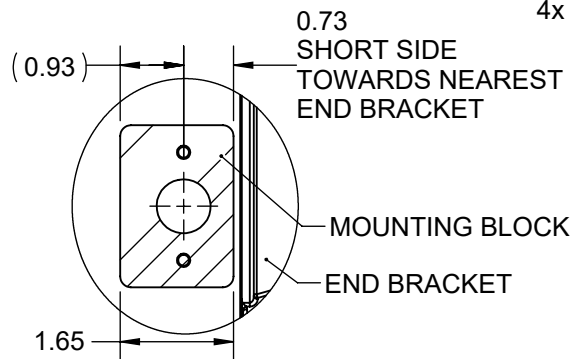
Electrical Type	<b>Squirrel Cage Inverter Rated</b>	Starting Method	<b>Line Or Inverter</b>
Poles	<b>2</b>	Rotation	<b>Reversible</b>
Resistance Main	<b>5.35 Ohms</b>	Mounting	<b>Rigid Base</b>
Motor Orientation	<b>Horizontal</b>	Drive End Bearing	<b>Ball</b>
Opp Drive End Bearing	<b>Ball</b>	Frame Material	<b>Rolled Steel</b>
Shaft Type	<b>JM</b>	Shaft Diameter	<b>1.250 in</b>
Assembly/Box Mounting	<b>F1/F2 CAPABLE</b>	Inverter Load	<b>CONSTANT 10:1/VARIABLE 10:1</b>
Connection Drawing	<b>EE7308</b>	Outline Drawing	<b>SS600202-100</b>

This is an uncontrolled document once printed or downloaded and is subject to change without notice. Date Created:10/18/2024

DASH NO.	4			3				2				1	
	B	C	E	2E	2F	2FF	AG	AH	BA	EQ	ET	MOUNTING	FRAME
100	6.50	17.37	3.75	7.50	4.50	5.50	13.12	4.25	3.50	0.62	2.87	F1 OR F2	182JM
200		18.37					14.12						184JM



**SECTION A-A  
MOUNTING BLOCK  
ORIENTATION**



DRAWING REVISION D	REVISION BY BISWA	REV DATE/© DATE 17/03/2021
ECO CR-0001658	APPROVED BY GNK	DATE 17/03/2021
ECO DESCRIPTION Unsymmetrical bracket mtg. positional view added		
<small>COPYRIGHT (PER REVISION DATE) REGAL BELOIT AMERICA, INC. ALL RIGHTS RESERVED. PROPRIETARY AND CONFIDENTIAL INFORMATION - THIS DOCUMENT IS THE PROPERTY OF REGAL BELOIT AMERICA, INC. ("OWNER") AND CONTAINS OWNER'S PROPRIETARY INFORMATION. ANY PERSON, CORPORATION OR OTHER FIRM RECEIVING IT IS DEEMED, BY RECEIVING IT, TO AGREE THAT IT, AND/OR ANY PART OF IT, SHALL NOT BE DISCLOSED TO ANY PERSON, CORPORATION OR OTHER ENTITY, DUPLICATED, AND/OR USED, EXCEPT AS EXPRESSLY APPROVED IN WRITING IN ADVANCE BY OWNER. THIS DOCUMENT SHALL BE RETURNED TO OWNER UPON REQUEST. IT MAY BE SUBJECT TO CERTAIN RESTRICTIONS UNDER APPLICABLE EXPORT CONTROL LAWS AND REGULATIONS.</small>		

PRIMARY DIMENSIONS ARE INCH  
mm DIMENSIONS IN [BRACKETS]  
ARE FOR REFERENCE ONLY

DRAWN BY PRIYA	<b>REGAL</b> ® Regal Beloit America, Inc.
DATE 08/03/2018	
APPROVED BY SBD	DESCRIPTION <b>OUTLINE</b> 182/184JM FR-NEMA-TEFC-RS
DATE 08/03/2018	MATERIAL
REFERENCE	PROCESS/FINISH
THIRD ANGLE PROJECTION	SIZE B
	DRAWING NUMBER <b>SS600202</b>
	SHEET 1 OF 1

EE7308

THREE PHASE  
DUAL VOLTAGE MOTOR



VIEW OF TERMINAL END

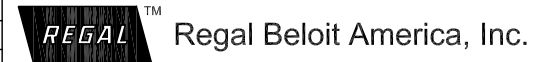
REF.  
WINDING DIAGRAM

T8Y, T2Y, T2BL, T4BX, T2EC, T2G  
T6BZ, T2B, T6BL, T4AV, T6B, T4B

OPTIONAL CORD  
CONNECTION

L1 — WHITE  
L2 — RED  
L3 — BLACK

NO.		REVISION		BY & DATE		CHK		ANG		FINISH		PREV					
5	CHG TO REGAL LOGO	SL	09/10/2015	AB								DRAWN RM	11/20/1990				
4	REVISED IEC NOTATIONS	MSG	11/15/2011	CMN	.X	±.1						CHK ML	11/21/1990				
3	ADDED IEC NOTATIONS... (U1), (V1) ETC. MU95194	MSG	5/10/2010	MJS	.XX	±.02						APPD SAS	04/24/2003				
2	ADDED THE OPTIONAL CORD CONNECTION MU46318	RDH	04/24/2003	DRS	.XXX	±.005						SCALE	1=1				
1	REDRAWN	RM	11/20/1990		.XXXX	±.0005						REF					
												FMF					
THIS DRAWING IN DESIGN AND DETAIL IS OUR PROPERTY AND MUST NOT BE USED EXCEPT IN CONNECTION WITH OUR WORK ALL RIGHTS OF DESIGN AND INVENTION ARE RESERVED THIS IS AN ELECTRONICALLY GENERATED DOCUMENT - DO NOT SCALE THIS PRINT						RFP		CAD FILE	ee7308	SIZE	A	DRAWING NO.	EE7308	PAGE	OF	REV.	5
						DIST	WP										



TITLE CONNECTION DIAGRAM  
3Ø - DUAL VOLTAGE MOTOR



**P.O. BOX 8003  
WAUSAU, WI 54401-8003  
PH. 715-675-3311**

**CERTIFICATION DATA SHEET**

**CUSTOMER:**  
**ORDER #:**  
**CONN. DIAGRAM:** EE7308  
**OUTLINE:** SS600202-182JM  
**WINDING #:** HE31122014 3

**CUSTOMER PO#:**  
**MODEL #:** 182TTFBD6006 AA  
**CUSTOMER PART #:**  
**MOUNTING:** F1/F2 CAPABLE

**TYPICAL MOTOR PERFORMANCE DATA**

HP	kW	SYNC. RPM	F.L. RPM	FRAME	ENCLOSURE	KVA CODE	DESIGN
3&2	2.24&1.49	3600	3522&2935	182JM	TEFC	J	B

PH	Hz	VOLTS	AMPS	START TYPE	DUTY	INSL	S.F.	AMB°C
3	60/50	230/460&190/380	8/4&6.8/3.4	LINE OR INVERTER	CONTINUOUS	F7	1.15/1.15	40

FULL LOAD EFF:	86.5&84	3/4 LOAD EFF:	85.5	1/2 LOAD EFF:	82.5	GTD. EFF		ELEC. TYPE	
FULL LOAD PF:	82&79	3/4 LOAD PF:	74.5	1/2 LOAD PF:	61.6	85.5		SQ CAGE INV RATED	

F.L. TORQUE	LOCKED ROTOR AMPS	L.R. TORQUE	B.D. TORQUE	F.L. RISE°C
4.475 LB-FT	64 / 32	9 LB-FT 200 %	16 LB-FT 356 %	55

SOUND PRESSURE @ 3 FT.	SOUND POWER	ROTOR WK^2	MAX. WK^2	SAFE STALL TIME	STARTS / HOUR	APPROX. MOTOR WGT
50 dBA	60 dBA	0.18 LB-FT^2	- LB-FT^2	15 SEC.	2	126 LBS.

**\*\*\* SUPPLEMENTAL INFORMATION \*\*\***

DE BRACKET TYPE	ODE BRACKET TYPE	MOUNT TYPE	ORIENTATION	SEVERE DUTY	HAZARDOUS LOCATION	DRIP COVER	SCREENS	PAINT
C-FACE	STANDARD	RIGID	HORIZONTAL	FALSE	DIVISION 2 T2B	PROVISIONS ONLY	NONE	BLUE (EPOXY)

BEARINGS		GREASE	SHAFT TYPE	SPECIAL DE	SPECIAL ODE	SHAFT MATERIAL	FRAME MATERIAL
DE	ODE						
BALL	BALL	POLYREX EM	JM	NONE	NONE	1045 HOT ROLLED (C-204)	ROLLED STEEL
6307	6205						

THERMO-PROTECTORS				THERMISTORS	CONTROL	SPACE HEATERS
THERMOSTATS	PROTECTORS	WDG RTDs	BRG RTDs			
NONE	NOT	NONE	NONE	NONE	FALSE	NONE VOLTS

\*  
N  
O  
T  
E  
S  
\*

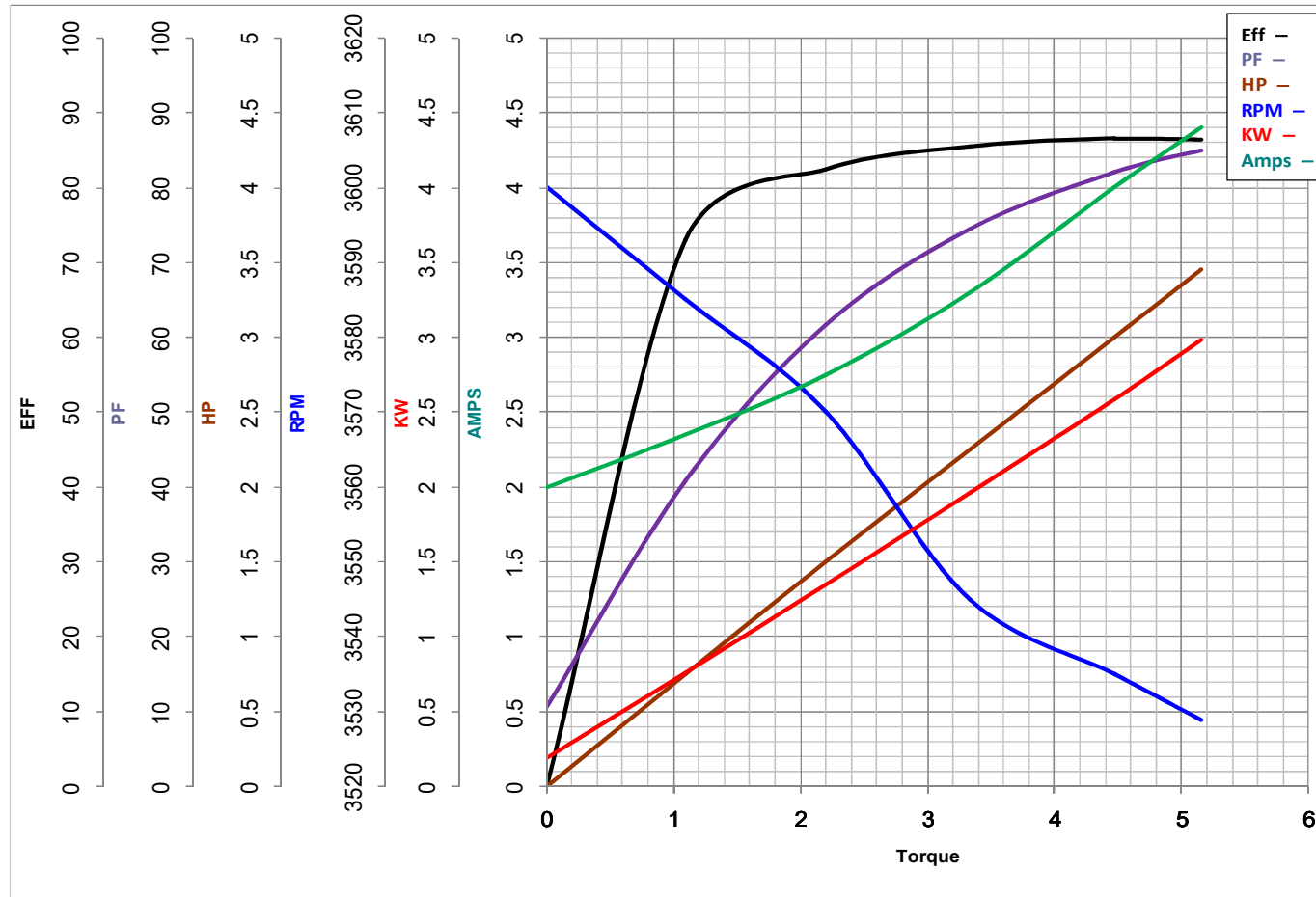
<b>INVERTER TORQUE:</b> CONSTANT 10:1/VARIABLE 10:1 <b>INV. HP SPEED RANGE:</b> NONE
<b>ENCODER:</b> NONE NONE NONE NONE NONE PPR
<b>BRAKE:</b> NONE NONE NONE P/N NONE NONE NONE NONE FT-LB NONE V NONE Hz

**PREPARED BY:** Dinesh  
Suddula **DATE:**  
02/13/2019 01:02:54 AM  
FORM 3531 REV.3 02/07/99  
\*\* Subject to change without notice.



**MARATHON ELECTRIC CORPORATION**  
TYPICAL PERFORMANCE CURVE for AC MOTOR

Customer \_\_\_\_\_ Curve at 460 Volts HP 3&2 PHASE 3  
 Model No 182TTFBD6006 60 HZ  
3 HP VOLTS 230/460&190/380  
 Catalog No GT3109A HZ 60&50 RPM 3522&2935



		Torque in Lb.Ft	
FL TORQUE	<u>4.475</u> Lb.Ft	FL AMPS	<u>8/4.6.8/3.4</u>
BD TORQUE	<u>16.0</u> Lb.Ft	PU TORQUE	<u>8.0</u> Lb.Ft
LR TORQUE	<u>0</u> Lb.Ft	LR AMPS	<u>32</u>
WINDING	HE31122014-3	Date	1/4/2019

## EC Declaration of Conformity

The undersigned representing  
the manufacturer:

Regal Beloit America  
100 East Randolph St.  
Wausau, WI 54401

and the authorized representative  
established within the Community:

Marathon Electric UK  
6F Thistleton Road Ind. Estate  
Market Overton  
Oakham, Rutland LE15 7PP UK

are committed to providing customers with products that comply with applicable regulations and international protocols to which they are subject, including the requirements of the European Parliament Directive on the Harmonization of the laws relating to electrical equipment designed for use within certain voltage limits (2014/35/EU).

Regal Beloit America declares that the following product(s), to which this declaration relates, are in conformity with the relevant sections of the EC standards listed below.

This statement supersedes any statements previously issued pertaining to the product(s) listed below and is subject to change without notice.

Model No : 182TTFBD6006

(Model No. may contain prefix and/or suffix characters)

Catalog No : GT3109A

Rework No : N/A

Directives :

Low Voltage Directive 2014/35/EU

Harmonized Standards Used :

EN 60034-1: 2010 (IEC 60034-1: 2010)

EN 60034-5: 2001/A1:2007 (IEC 60034-5: 2000/A1:2006)

Authorized Representative:



Michael A. Logsdon  
Vice President, Technology

Authorized Representative in the Community:



Julian Clark  
Marketing Engineer

Created on 09/01/2022

**CE 22**