

PRODUCT INFORMATION PACKET

Model No: 182TTFBD6003

Catalog No: GT1209A

Globetrotter® General Purpose Motor, 3 & 2 HP, 3 Ph, 60 & 50 Hz, 230/460 & 190/380 V,
3600 & 3000 RPM, 182TC Frame, TEFC



Nameplate Specifications

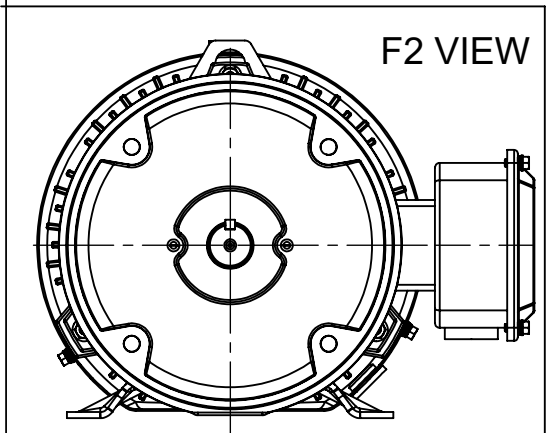
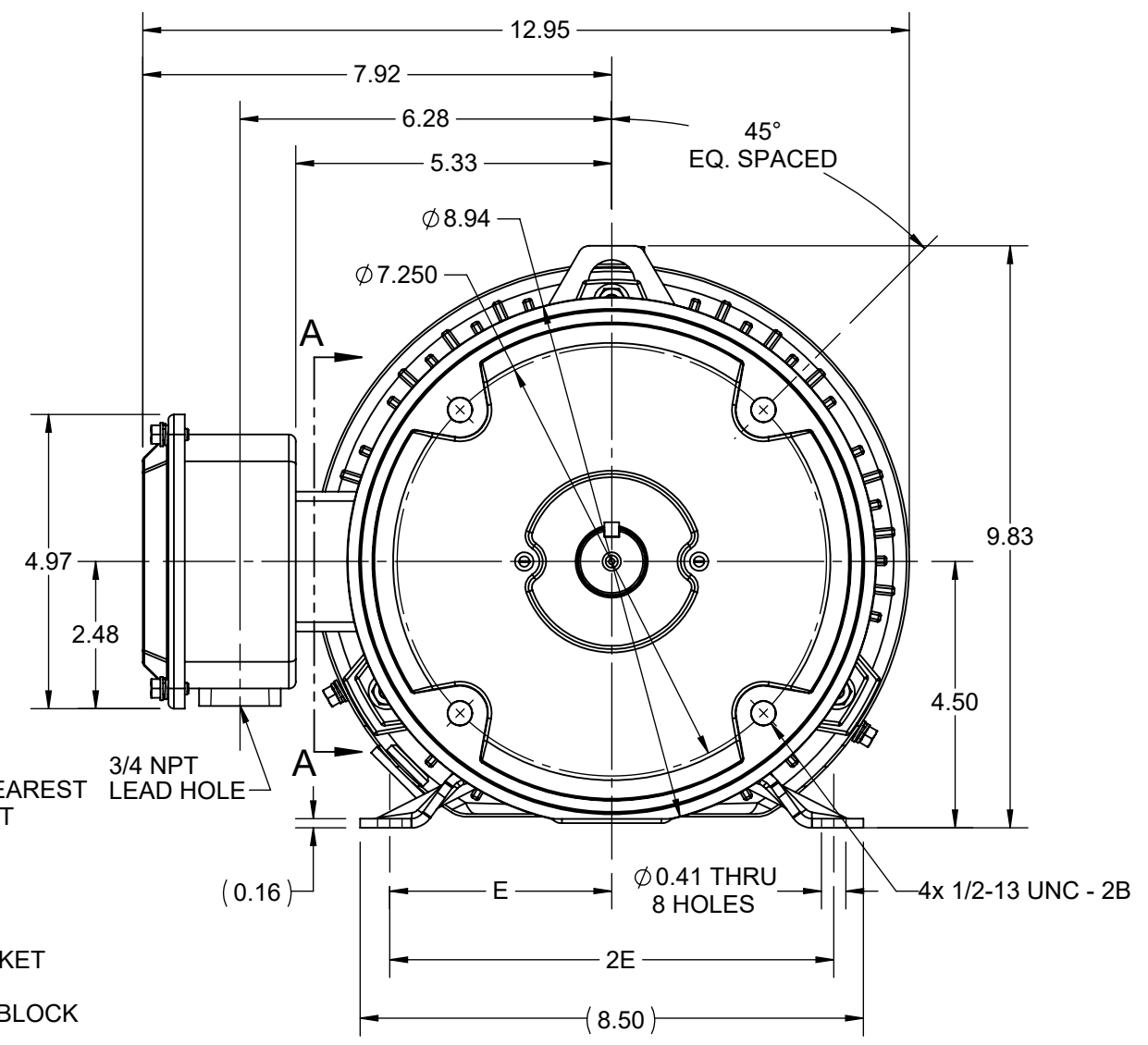
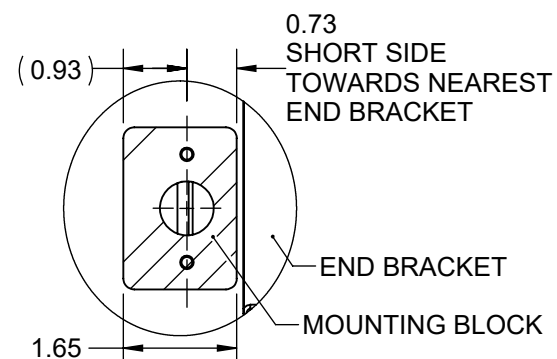
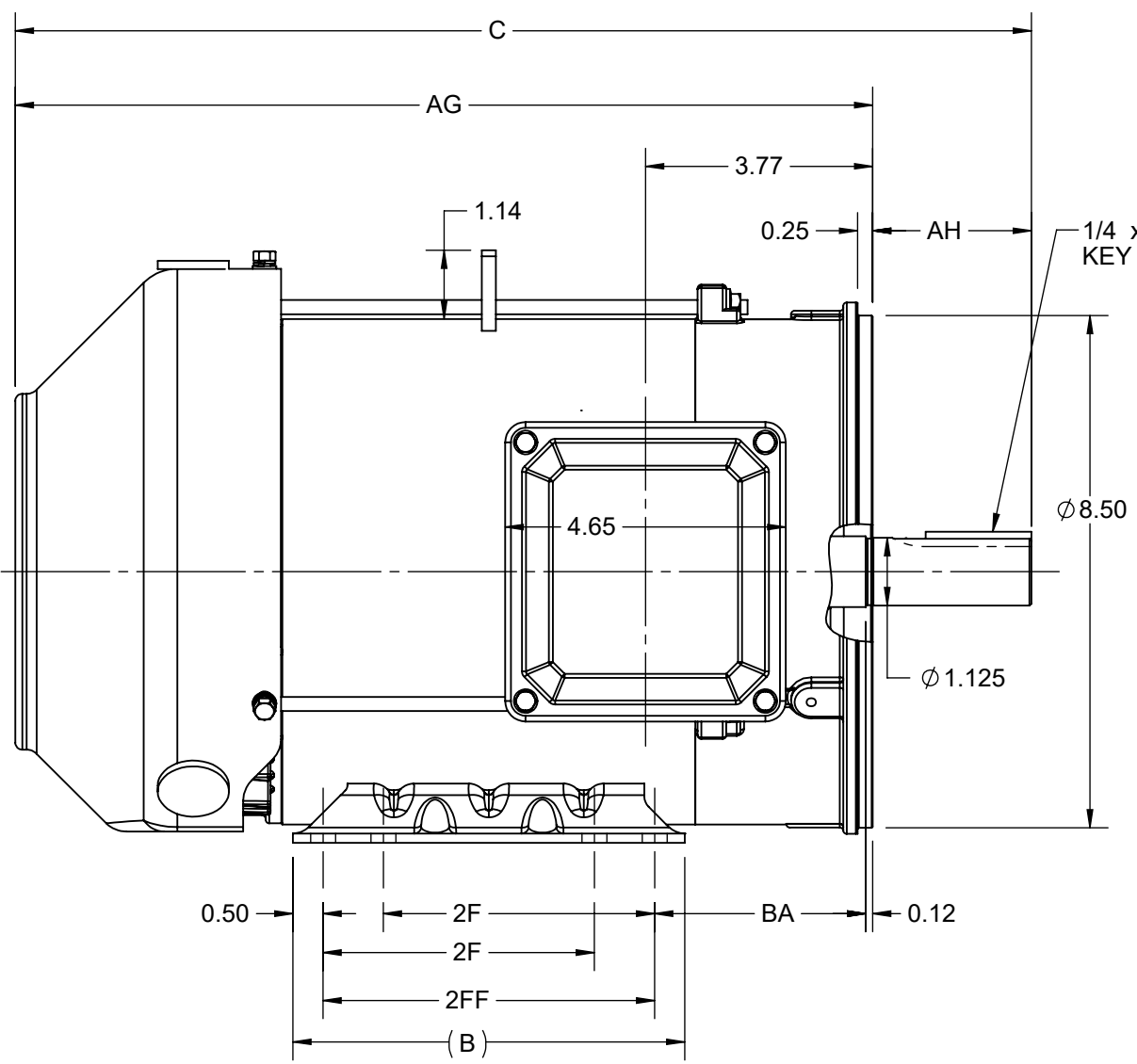
| | | | |
|------------------------|----------------------------|----------------------------|------------------------------------|
| Phase | 3 | Output HP | 3 & 2 Hp |
| Output KW | 2.2 & 1.5 kW | Voltage | 230/460 & 190/380 V |
| Speed | 3530 & 2944 rpm | Service Factor | 1.15 & 1.15 |
| Frame | 182TC | Enclosure | Totally Enclosed Fan Cooled |
| Thermal Protection | No Protection | Efficiency | 86.5 & 84.9 % |
| Ambient Temperature | 40 °C | Frequency | 60 & 50 Hz |
| Current | 8/4 & 6.8/3.4 A | Power Factor | 82 |
| Duty | Continuous | Insulation Class | F |
| Design Code | A | KVA Code | L |
| Drive End Bearing Size | 6206 | Opp Drive End Bearing Size | 6205 |
| UL | Listed | CSA | Y |
| CE | Y | IP Code | 43 |
| Number of Speeds | 1 | Hazardous Location | DIVISION 2 T2B |

Technical Specifications

| | | | |
|-----------------------|-------------------------------------|-----------------------|-------------------------|
| Electrical Type | Squirrel Cage Inverter Rated | Starting Method | Line Or Inverter |
| Poles | 2 | Rotation | Reversible |
| Resistance Main | 5.35 Ohms | Mounting | Rigid Base |
| Motor Orientation | Horizontal | Drive End Bearing | Ball |
| Opp Drive End Bearing | Ball | Frame Material | Rolled Steel |
| Shaft Type | T | Overall Length | 15.85 in |
| Frame Length | 5.85 in | Shaft Diameter | 1.125 in |
| Shaft Extension | 2.75 in | Assembly/Box Mounting | F1/F2 CAPABLE |
| Inverter Load | CONSTANT 10:1/VARIABLE 10:1 | | |
| Outline Drawing | SS600200-100 | Connection Drawing | EE7308 |

This is an uncontrolled document once printed or downloaded and is subject to change without notice. Date Created:10/18/2024

| DASH NO. | 4 | | | 3 | | | 2 | | | 1 | |
|----------|------|-------|------|------|------|------|-------|------|------|----------|-------|
| | B | C | E | 2E | 2F | 2FF | AG | AH | BA | MOUNTING | FRAME |
| 100 | 6.50 | 15.85 | 3.75 | 7.50 | 4.50 | 5.50 | 13.22 | 2.62 | 3.50 | F1 OR F2 | 182TC |
| 200 | | 16.85 | | | | | 14.22 | | | | 184TC |



**SECTION A-A
MOUNTING BLOCK
ORIENTATION**

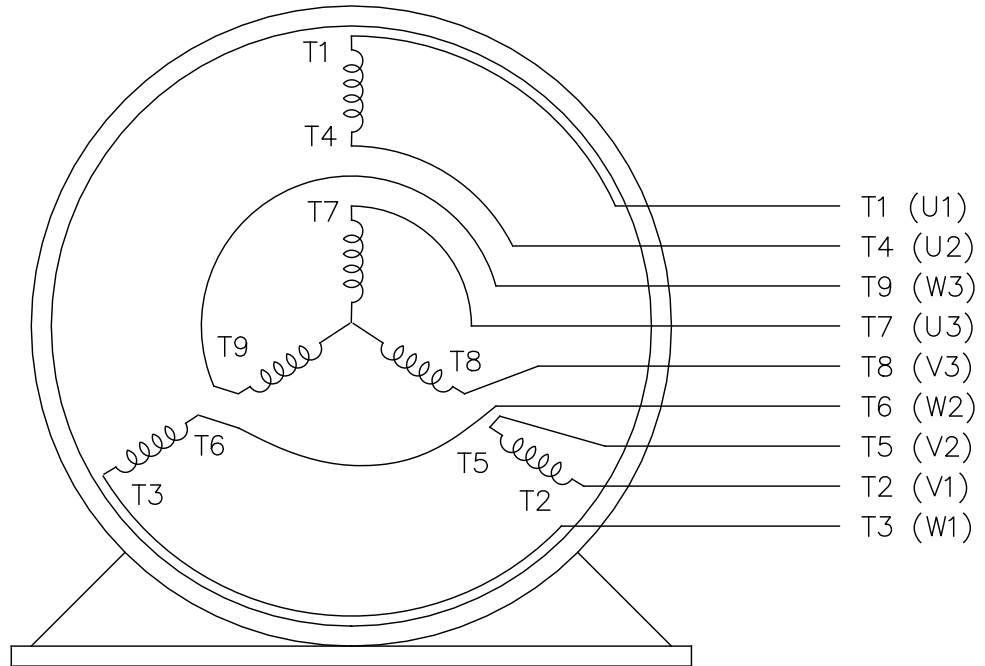
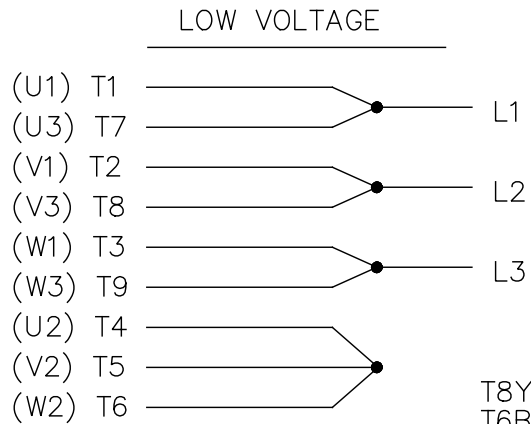
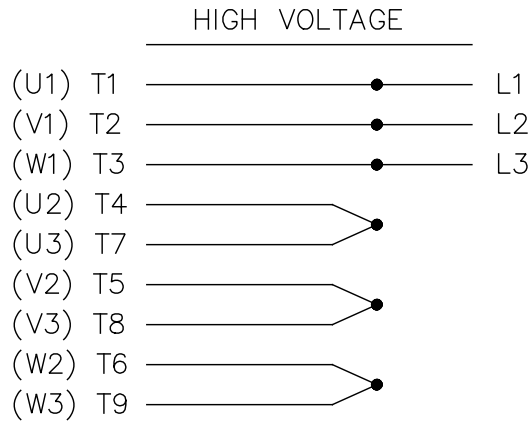
| | | |
|---|----------------------|-------------------------------|
| DRAWING REVISION D | REVISION BY BISWA | REV DATE/© DATE 16/03/2021 |
| ECO CR-0001658 | APPROVED BY GNK | DATE 16/03/2021 |
| ECO DESCRIPTION Unsymmetrical mtg. bracket positional view added. | | |
| <small>COPYRIGHT (PER REVISION DATE) REGAL BELOIT AMERICA, INC. ALL RIGHTS RESERVED. PROPRIETARY AND CONFIDENTIAL INFORMATION - THIS DOCUMENT IS THE PROPERTY OF REGAL BELOIT AMERICA, INC. ("OWNER") AND CONTAINS OWNER'S PROPRIETARY INFORMATION. ANY PERSON, CORPORATION OR OTHER FIRM RECEIVING IT IS DEEMED, BY RECEIVING IT, TO AGREE THAT IT, AND/OR ANY PART OF IT, SHALL NOT BE DISCLOSED TO ANY PERSON, CORPORATION OR OTHER ENTITY, DUPLICATED, AND/OR USED, EXCEPT AS EXPRESSLY APPROVED IN WRITING IN ADVANCE BY OWNER. THIS DOCUMENT SHALL BE RETURNED TO OWNER UPON REQUEST. IT MAY BE SUBJECT TO CERTAIN RESTRICTIONS UNDER APPLICABLE EXPORT CONTROL LAWS AND REGULATIONS.</small> | | |

PRIMARY DIMENSIONS ARE INCH
mm DIMENSIONS IN [BRACKETS]
ARE FOR REFERENCE ONLY

| | |
|----------------------------|---|
| DRAWN BY PRIYA | REGAL ® Regal Beloit America, Inc. |
| DATE 08/03/2018 | |
| APPROVED BY SBD | DESCRIPTION OUTLINE 182/184TC FR TEFC RS |
| DATE 08/03/2018 | MATERIAL PROCESS/FINISH |
| THIRD ANGLE PROJECTION | SIZE B |
| DRAWING NUMBER SS600200 | SHEET 1 OF 1 |

EE7308

THREE PHASE
DUAL VOLTAGE MOTOR



VIEW OF TERMINAL END

REF.
WINDING DIAGRAM

T8Y, T2Y, T2BL, T4BX, T2EC, T2G
T6BZ, T2B, T6BL, T4AV, T6B, T4B

OPTIONAL CORD
CONNECTION

L1 — WHITE
L2 — RED
L3 — BLACK

| NO. | REVISION | BY & DATE | CHK | ANG | TOLERANCES UNLESS SPECIFIED | | FINISH | DRAWN RM 11/20/1990 | | | | |
|--|--|----------------|-----|-------|--------------------------------|--------|---|---------------------|--------|--------------------|-----------|--------|
| | | | | | DEC. | INCHES | | | | | | |
| 5 | CHG TO REGAL LOGO | SL 09/10/2015 | AB | | | | | CHK ML 11/21/1990 | | | | |
| 4 | REVISED IEC NOTATIONS | MSG 11/15/2011 | CMN | .X | ±.1 | | | APPD SAS 04/24/2003 | | | | |
| 3 | ADDED IEC NOTATIONS... (U1), (V1) ETC. MU95194 | MSG 5/10/2010 | MJS | .XX | ±.02 | | | SCALE 1=1 | | | | |
| 2 | ADDED THE OPTIONAL CORD CONNECTION MU46318 | RDH 04/24/2003 | DRS | .XXX | ±.005 | | TITLE CONNECTION DIAGRAM 3Ø - DUAL VOLTAGE MOTOR | REF | | | | |
| 1 | REDRAWN | RM 11/20/1990 | | .XXXX | ±.0005 | | MAT'L. | FMF | | | | |
| | | | | | ±7'30" | | | PREV | | | | |
| THIS DRAWING IN DESIGN AND DETAIL IS OUR PROPERTY AND MUST NOT BE USED EXCEPT IN CONNECTION WITH OUR WORK ALL RIGHTS OF DESIGN AND INVENTION ARE RESERVED THIS IS AN ELECTRONICALLY GENERATED DOCUMENT - DO NOT SCALE THIS PRINT | | | | | | | RFP | CAD FILE ee7308 | SIZE A | DRAWING NO. EE7308 | PAGE OF 5 | REV. 5 |
| | | | | | | | DIST WP | | | | | |



Regal Beloit America, Inc.



**P.O. BOX 8003
WAUSAU, WI 54401-8003
PH. 715-675-3311**

CERTIFICATION DATA SHEET

CUSTOMER:

CUSTOMER PO#:

ORDER #:

MODEL #: 182TTFBD6003 AA

CONN. DIAGRAM: EE7308

CUSTOMER PART

#:

OUTLINE: SS600200

MOUNTING: F1/F2 CAPABLE

WINDING #: HE31122014 3

TYPICAL MOTOR PERFORMANCE DATA

| HP | kW | SYNC. RPM | F.L. RPM | FRAME | ENCLOSURE | KVA CODE | DESIGN |
|-----|-----------|-----------|-----------|-------|-----------|----------|--------|
| 3&2 | 2.24&1.49 | 3600 | 3522&2935 | 182TC | TEFC | J | B |

| PH | Hz | VOLTS | AMPS | START TYPE | DUTY | INSL | S.F. | AMB°C |
|----|-------|-----------------|-------------|------------------|------------|------|----------|-------|
| 3 | 60/50 | 230/460&190/380 | 8/4&6.8/3.4 | LINE OR INVERTER | CONTINUOUS | F3 | 1.15/1.0 | 40 |

| FULL LOAD EFF: | 86.5&84 | 3/4 LOAD EFF: | 85.5 | 1/2 LOAD EFF: | 82.5 | GTD. EFF | ELEC. TYPE |
|----------------|---------|---------------|------|---------------|------|----------|-------------------|
| FULL LOAD PF: | 82&79 | 3/4 LOAD PF: | 74.5 | 1/2 LOAD PF: | 61.6 | 85.5 | SQ CAGE INV RATED |

| F.L. TORQUE | LOCKED ROTOR AMPS | L.R. TORQUE | B.D. TORQUE | F.L. RISE°C |
|-------------|-------------------|---------------|----------------|-------------|
| 4.475 LB-FT | 64 / 32 | 9 LB-FT 200 % | 16 LB-FT 356 % | 55 |

| SOUND PRESSURE @ 3 FT. | SOUND POWER | ROTOR WK^2 | MAX. WK^2 | SAFE STALL TIME | STARTS / HOUR | APPROX. MOTOR WGT |
|------------------------|-------------|--------------|-----------|-----------------|---------------|-------------------|
| 50 dBA | 60 dBA | 0.18 LB-FT^2 | - LB-FT^2 | 15 SEC. | 2 | - LBS. |

***** SUPPLEMENTAL INFORMATION *****

| DE BRACKET TYPE | ODE BRACKET TYPE | MOUNT TYPE | ORIENTATION | SEVERE DUTY | HAZARDOUS LOCATION | DRIP COVER | SCREENS | PAINT |
|-----------------|------------------|------------|-------------|-------------|--------------------|------------|---------|---------------|
| C-FACE | STANDARD | RIGID | HORIZONTAL | FALSE | DIVISION 2 T2B | FALSE | NONE | BLUE (ENAMEL) |

| BEARINGS | | GREASE | SHAFT TYPE | SPECIAL DE | SPECIAL ODE | SHAFT MATERIAL | FRAME MATERIAL |
|----------|------|------------|------------|------------|-------------|-------------------------|----------------|
| DE | ODE | | | | | | |
| BALL | BALL | POLYREX EM | T | NONE | NONE | 1045 HOT ROLLED (C-204) | ROLLED STEEL |
| 6206 | 6205 | | | | | | |

| THERMO-PROTECTORS | | | | THERMISTORS | CONTROL | SPACE HEATERS |
|-------------------|------------|----------|----------|-------------|---------|---------------|
| THERMOSTATS | PROTECTORS | WDG RTDs | BRG RTDs | | | |
| NONE | NOT | NONE | NONE | NONE | FALSE | NONE VOLTS |

*
N
O
T
E
S
*

| |
|---|
| INVERTER TORQUE: CONSTANT 10:1/VARIABLE 10:1 INV. HP SPEED RANGE: NONE |
| ENCODER: NONE NONE NONE NONE NONE PPR |
| BRAKE: NONE NONE NONE P/N NONE NONE NONE NONE FT-LB NONE V NONE Hz |

PREPARED BY: Anusha Muthyala
DATE: 05/28/2018 07:46:18 AM
FORM 3531 REV.3 02/07/99
** Subject to change without notice.

MARATHON ELECTRIC CORPORATION

TYPICAL PERFORMANCE CURVE for AC MOTOR

Customer

Curve at

460

Volts

HP 3&2

PHASE 3

Model No 182TTFBD6003

60

HZ

VOLTS 230/460&190/380

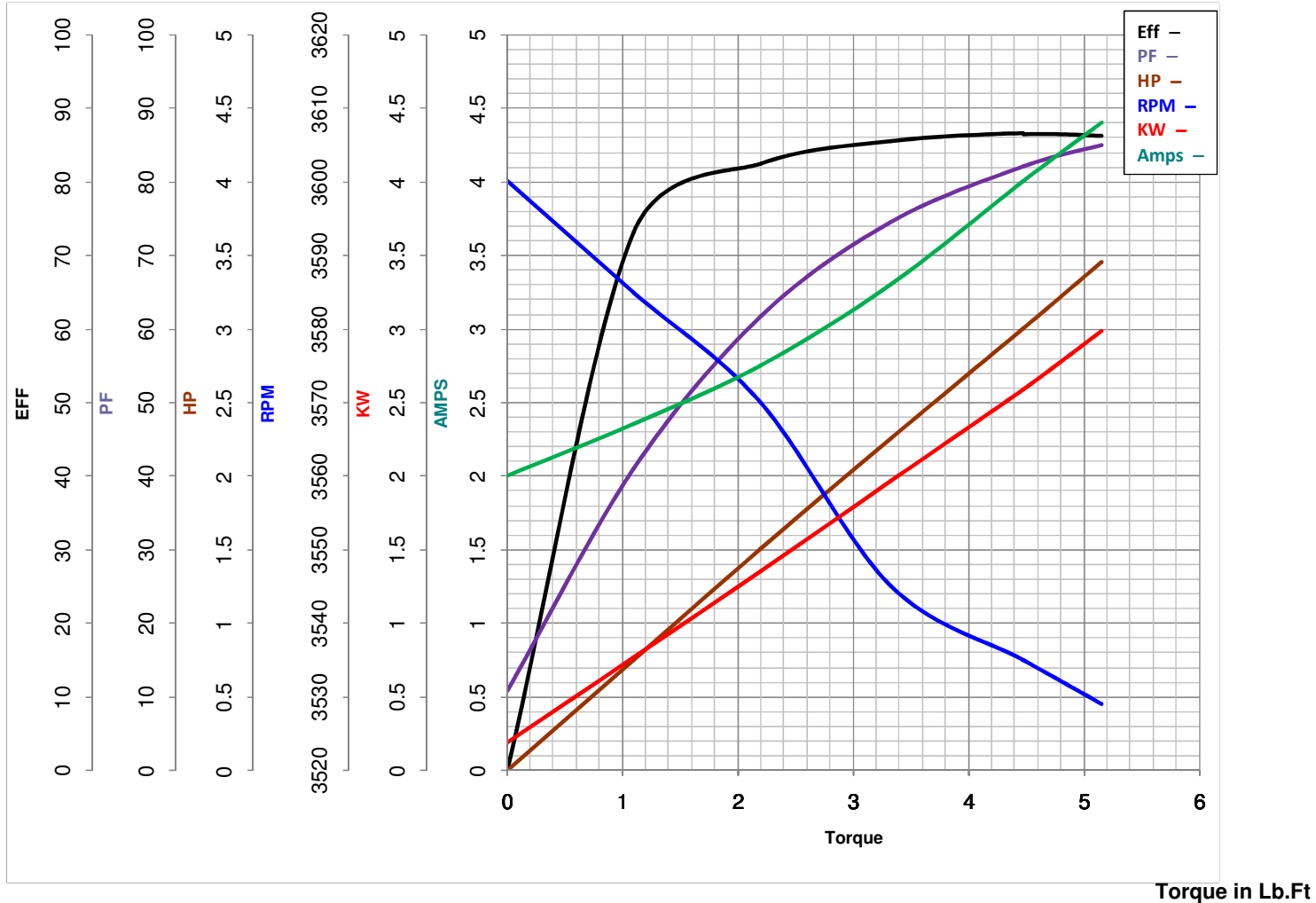
3

HP

Catalog No GT1209A

HZ 60&50

RPM 3522&2935



| | | | | | |
|-----------|--------------|-------|-----------|------------------|-------|
| FL TORQUE | <u>4.475</u> | Lb.Ft | FL AMPS | <u>8/4</u> | |
| BD TORQUE | <u>16.0</u> | Lb.Ft | PU TORQUE | <u>8.0</u> | Lb.Ft |
| LR TORQUE | <u>9</u> | Lb.Ft | LR AMPS | <u>32</u> | |
| WINDING | HE31122014-3 | | Date | <u>5/28/2018</u> | |

EC Declaration of Conformity

The undersigned representing
the manufacturer:

Regal Beloit America
100 East Randolph St.
Wausau, WI 54401

and the authorized representative
established within the Community:

Marathon Electric UK
6F Thistleton Road Ind. Estate
Market Overton
Oakham, Rutland LE15 7PP UK

are committed to providing customers with products that comply with applicable regulations and international protocols to which they are subject, including the requirements of the European Parliament Directive on the Harmonization of the laws relating to electrical equipment designed for use within certain voltage limits (2014/35/EU).

Regal Beloit America declares that the following product(s), to which this declaration relates, are in conformity with the relevant sections of the EC standards listed below.

This statement supersedes any statements previously issued pertaining to the product(s) listed below and is subject to change without notice.

Model No : 182TTFBD6003

(Model No. may contain prefix and/or suffix characters)

Catalog No : GT1209A

Rework No : N/A

Directives :

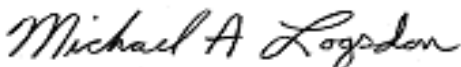
Low Voltage Directive 2014/35/EU

Harmonized Standards Used :

EN 60034-1: 2010 (IEC 60034-1: 2010)

EN 60034-5: 2001/A1:2007 (IEC 60034-5: 2000/A1:2006)

Authorized Representative:



Michael A. Logsdon
Vice President, Technology

Authorized Representative in the Community:



Julian Clark
Marketing Engineer

Created on 09/01/2022

CE 22