

PRODUCT INFORMATION PACKET

marathon[®]
Motors

Model No: 182TTDW8067

Catalog No: C1123

Other Purpose Motor, 3 & 2 HP, 3 Ph, 60 & 50 Hz, 208-230/460 & 190/380 V, 1800 & 1500 RPM,
182TC Frame, DP

Regal and Marathon are trademarks of Regal Rexnord Corporation or one of its affiliated companies.

©2023 Regal Rexnord Corporation, All Rights Reserved. MC017097E

RegalRexnord

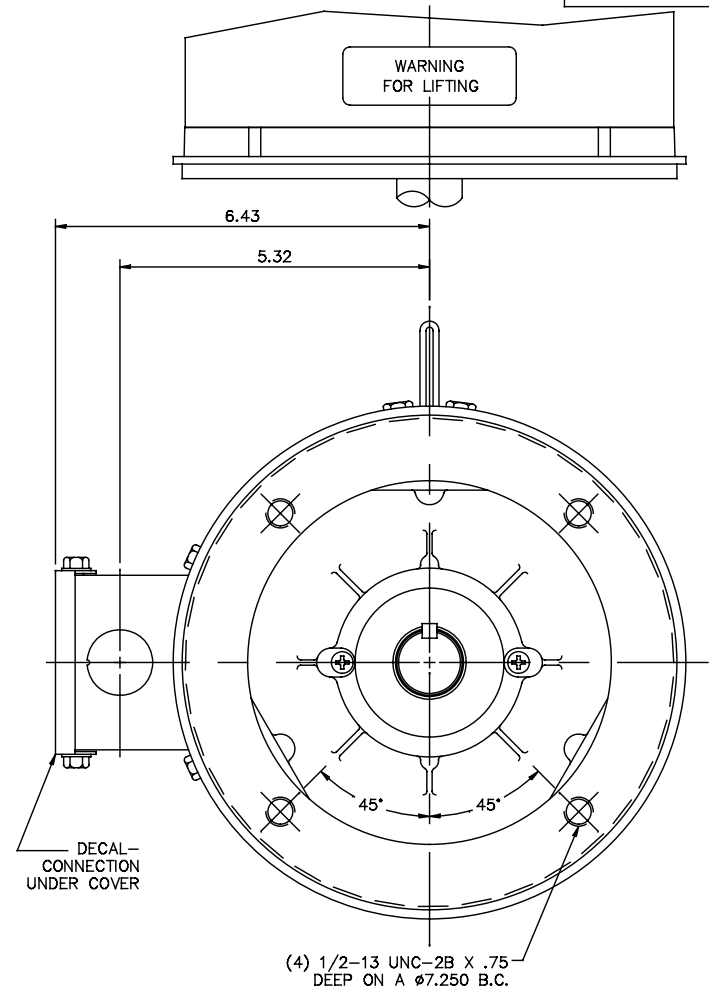
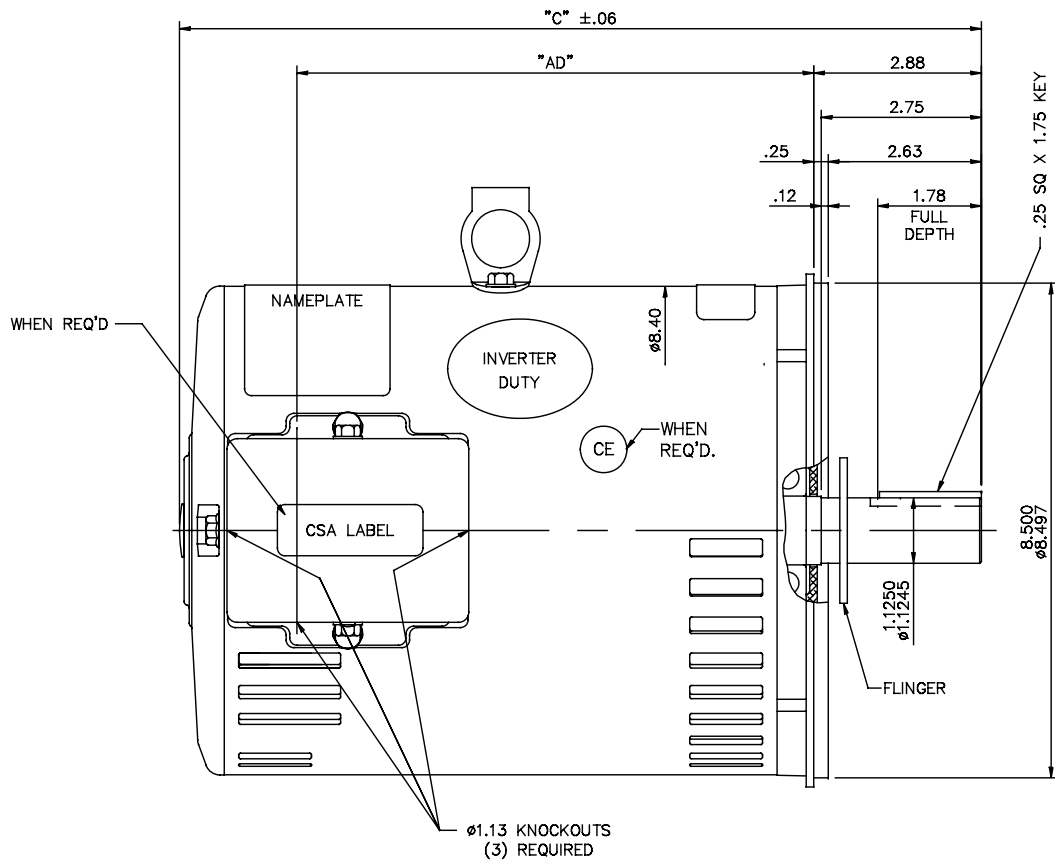
Nameplate Specifications

Phase	3	Output HP	3 & 2 Hp
Output KW	2.2 & 1.5 kW	Voltage	208-230/460 & 190/380 V
Speed	1745 & 1445 rpm	Service Factor	1.15 & 1.15
Frame	182TC	Enclosure	Drip Proof
Thermal Protection	No Protection	Efficiency	82.5 & 81.7 %
Ambient Temperature	40 °C	Frequency	60 & 50 Hz
Current	9.2-9/4.5 & 8.8/4.4 A	Power Factor	77.5
Duty	Continuous	Insulation Class	F
Design Code	B	KVA Code	K
Drive End Bearing Size	6206	Opp Drive End Bearing Size	6205
UL	Recognized	CSA	Y
CE	Y	IP Code	12
Number of Speeds	1		

Technical Specifications

Electrical Type	Squirrel Cage Induction Run	Starting Method	Across The Line
Poles	4	Rotation	Reversible
Resistance Main	1.19 Ohms	Mounting	Round
Motor Orientation	Horizontal	Drive End Bearing	Ball
Opp Drive End Bearing	Ball	Frame Material	Rolled Steel
Shaft Type	T	Overall Length	12.28 in
Frame Length	8.00 in	Shaft Diameter	1.125 in
Shaft Extension	2.75 in	Assembly/Box Mounting	F1 Only
Connection Drawing	005010.01ME	Outline Drawing	035607-800

035607



GASKETS THROUGHOUT

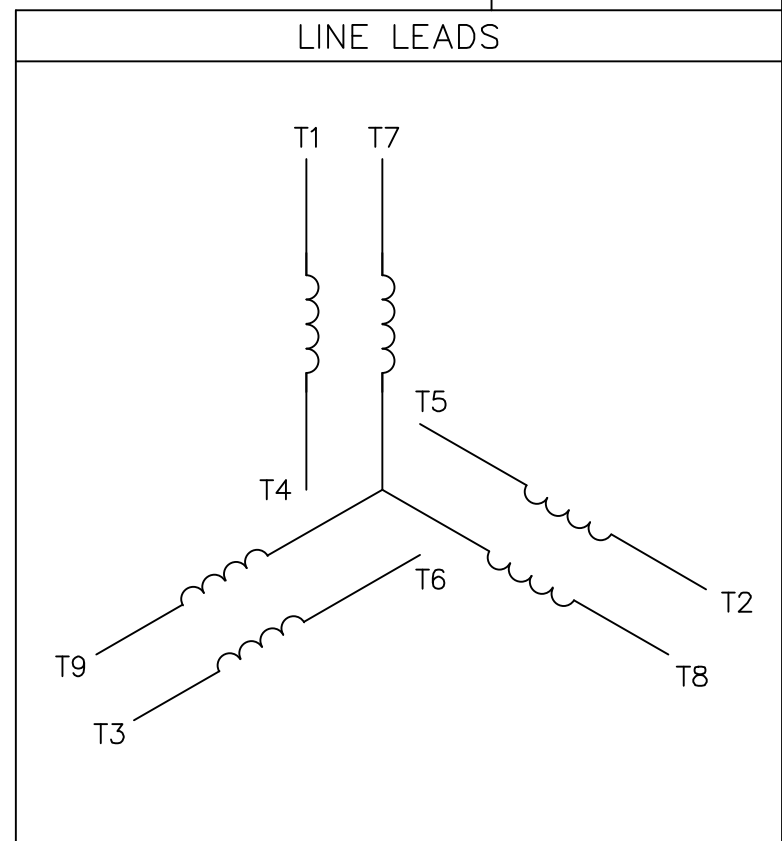
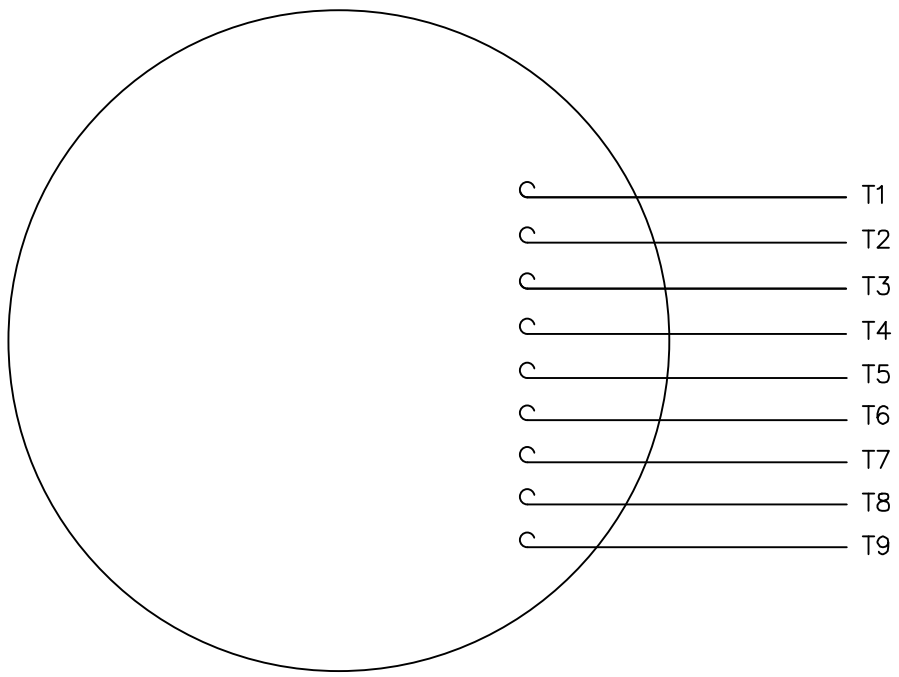
MAXIMUM FACE RUNOUT TO BE .004 T.I.R.
 MAXIMUM PILOT ECCENTRICITY TO BE .004 T.I.R.
 PERMISSIBLE SHAFT RUNOUT TO BE .002 T.I.R.

DASH NO.	"C"	"AD"
800	12.28	7.38
850	12.78	7.88
900	13.28	8.38
950	13.78	8.88
1000	14.28	9.38
1050	14.78	9.88
1100	15.28	10.38
1150	15.78	10.88

NO.	REVISION	BY & DATE	CHK	ANG	FINISH
02	CSA LABEL ADDED	PVR 06/24/15	GR	.XXX	±.005
01	ADDED -800 LENGTH PER ISSAC09-3353	SSK 8/17/2009		.XXXX	±.0005

TOLERANCES UNLESS SPECIFIED		MARATHON ELECTRIC	DRAWN KVN 01/02/2007
DEC.	INCHES		
.X	±.1	TITLE	CHK
.XX	±.03		APPD
		OUTLINE - 180TC FRAME	SCALE 1=2
		DRIP PROOF - "C" FACE	REF 035593
		MAT'L	FMF 182TDW8067
			PREV
RFP	CAD FILE	035607	SIZE B
DIST NLV			DRAWING NO. 035607
			REV. 02

VIEW FROM OUTSIDE OF MOTOR AT SWITCH END.



VOLTAGE	L1	L2	L3	JOIN & INSULATE
HIGH	T1	T2	T3	(T4,T7) (T5,T8) (T6,T9)
LOW	T1,T7	T2,T8	T3,T9	T4,T5,T6

		TOLERANCES UNLESS SPECIFIED		MARATHON ELECTRIC		DRAWN RDW 04/12/02		
		DEC.	INCHES			CHK		
		.X	±.1			APPD		
		.XX	±.01	TITLE		SCALE 1=1		
		.XXX	±.005	EXTERNAL WIRING DIAGRAM 3 PHASE W/O PROTECTOR		REF FIG.2-51		
		.XXXX	±.0005	MAT'L.		FMF		
			±1/2"	DECAL - 004014		PREV		
NO.	REVISION	BY & DATE	CHK	ANG	FINISH	SIZE	DRAWING NO.	REV.
			RFP	04/12/02	CAD FILE	A	005010-01ME	
			DIST					

THIS DRAWING IN DESIGN AND DETAIL IS OUR PROPERTY AND MUST NOT BE USED EXCEPT IN CONNECTION WITH OUR WORK ALL RIGHTS OF DESIGN AND INVENTION ARE RESERVED THIS IS AN ELECTRONICALLY GENERATED DOCUMENT - DO NOT SCALE THIS PRINT