

PRODUCT INFORMATION PACKET

Model No: 182TTDW7413

Catalog No: Y1453

Other Purpose Motor, 2 & 0.90 HP, 3 Ph, 60 & 60 Hz, 200-230 & 200-230 V, 1800 & 1800 RPM,
182T Frame, DP



Regal and Marathon are trademarks of Regal Rexnord Corporation or one of its affiliated companies.

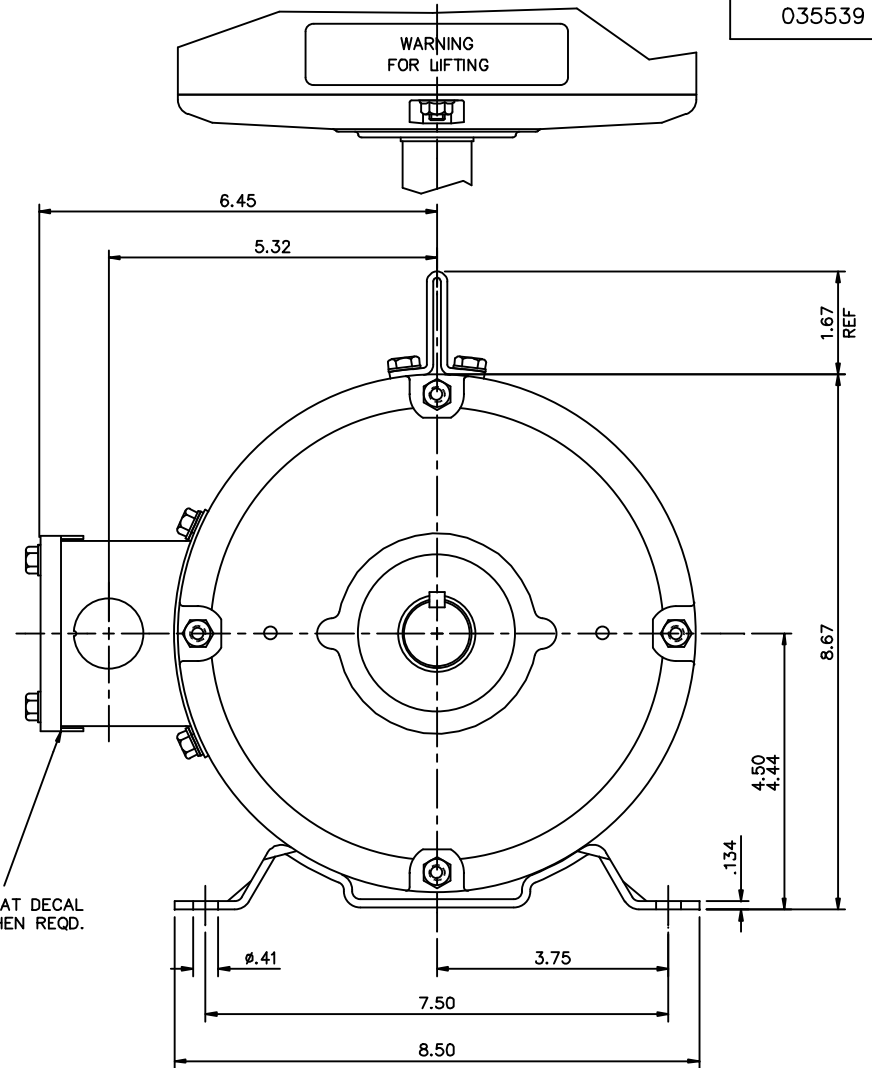
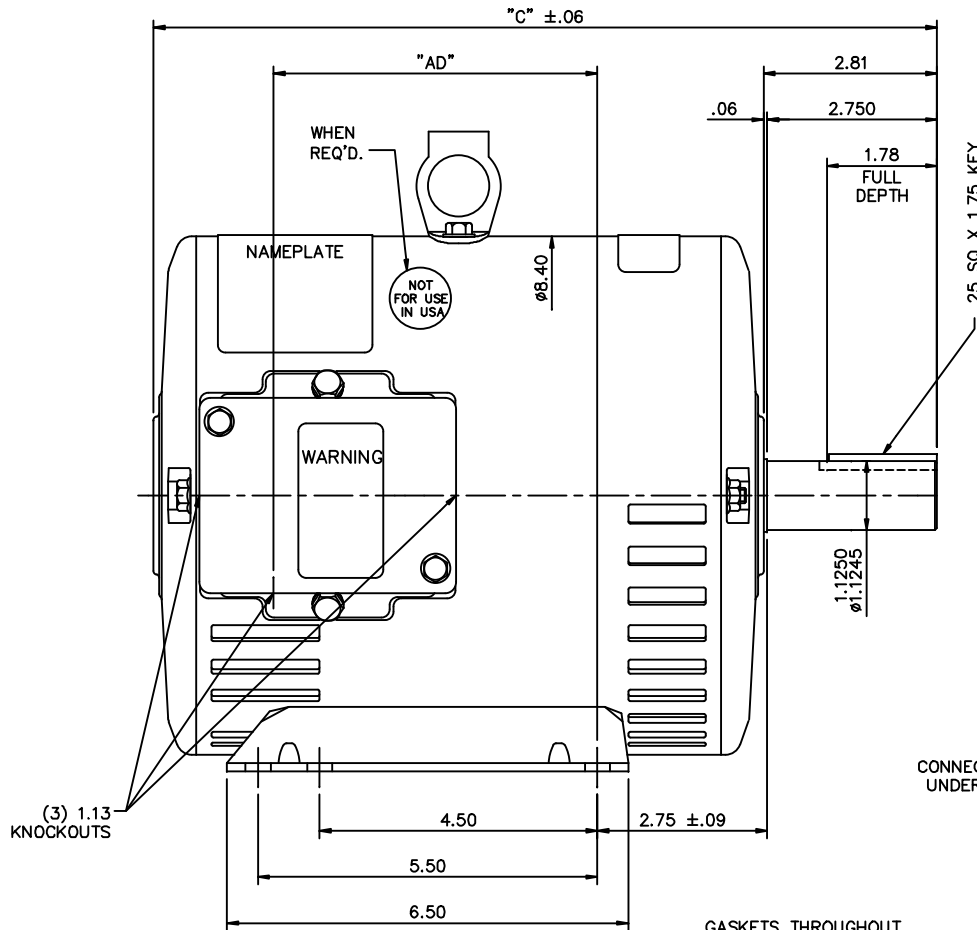
©2023 Regal Rexnord Corporation, All Rights Reserved. MC017097E

Nameplate Specifications

Phase	3	Output HP	2 & 0.90 Hp
Output KW	1.5 & 0.67 kW	Voltage	200-230 & 200-230 V
Speed	1765 & 1170 rpm	Service Factor	1.15 & 1.15
Frame	182T	Enclosure	Drip Proof
Thermal Protection	No Protection	Efficiency	80 & 75.5 %
Ambient Temperature	40 °C	Frequency	60 & 60 Hz
Current	6.6-6.4 & 3.8-3.9 A	Power Factor	73.2
Duty	Continuous	Insulation Class	F
Design Code	2VT	KVA Code	M
Drive End Bearing Size	6206	Opp Drive End Bearing Size	6205
UL	Recognized	CSA	Y
CE	Y	IP Code	22
Number of Speeds	2		

Technical Specifications

Electrical Type	Squirrel Cage Induction Run	Starting Method	Across The Line
Poles	4//6	Rotation	Reversible
Resistance Main	5.345 Ohms	Mounting	Rigid Base
Motor Orientation	Horizontal	Drive End Bearing	Ball
Opp Drive End Bearing	Ball	Frame Material	Rolled Steel
Shaft Type	T	Overall Length	12.69 in
Frame Length	8.50 in	Shaft Diameter	1.125 in
Shaft Extension	2.81 in	Assembly/Box Mounting	F1 ONLY
Outline Drawing	035539-850	Connection Drawing	005046.01ME

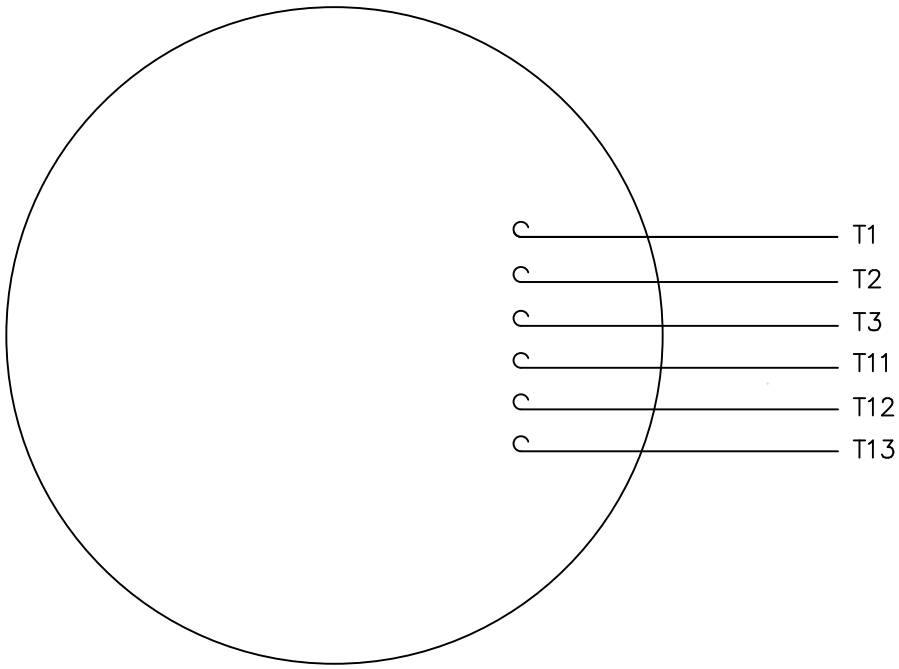


GASKETS THROUGHOUT

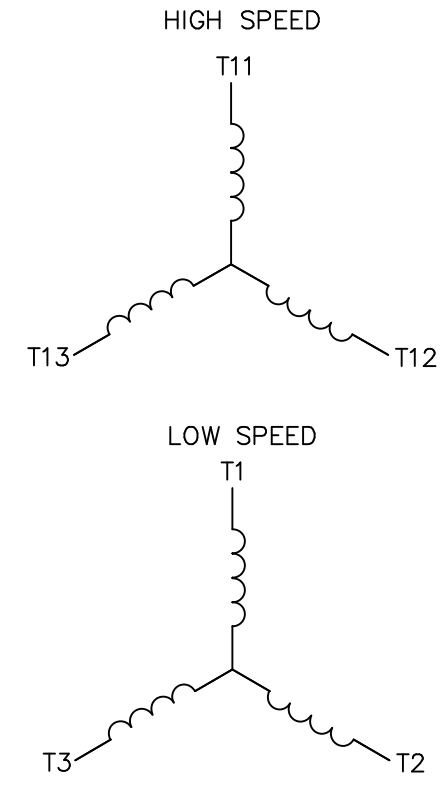
DASH NO.	"C"	"AD"
850	12.69	5.25
900	13.19	5.75
950	13.69	6.25
1000	14.19	6.75
1050	14.69	7.25
1100	15.19	7.75
1150	15.69	8.25

				TOLERANCES UNLESS SPECIFIED		MARATHON ELECTRIC		DRAWN YS 07/23/07			
				DEC.	INCHES			CHK			
				.X	±.1			APPD			
				.XX	±.03	TITLE		SCALE	1-2		
02	SHOWN "NOT FOR USE IN USA" DECAL LOCATION			JD	05/07/12	OUTLINE - 180T FRAME		REF	035464		
01	CHANGED TO NEW CONDUIT BOX 022737			YS	03/19/08	DRIP PROOF - RIGID					
				.XXX	±.005	MAT'L		FMF			
				.XXXX	±.0005	GENERAL PURPOSE		PREV			
NO.	REVISION			BY & DATE	CHK	ANG	FINISH				
THIS DRAWING IN DESIGN AND DETAIL IS OUR PROPERTY AND MUST NOT BE USED EXCEPT IN CONNECTION WITH OUR WORK ALL RIGHTS OF DESIGN AND INVENTION ARE RESERVED THIS IS AN ELECTRONICALLY GENERATED DOCUMENT - DO NOT SCALE THIS PRINT						RFP	CAD FILE	035539	SIZE	DRAWING NO.	REV.
						DIST			B	035539	02

VIEW FROM OUTSIDE OF MOTOR AT SWITCH END.



LINE LEADS



	L1	L2	L3
HIGH SPEED	T11	T12	T13
LOW SPEED	T1	T2	T3

			TOLERANCES UNLESS SPECIFIED	
			DEC.	INCHES
			.X	±.1
			.XX	±.01
			.XXX	±.005
			.XXXX	±.0005
NO.	REVISION	BY & DATE	CHK	ANG ±1/2°



TITLE: EXTERNAL WIRING DIAGRAM TYPE "T" W/O PROTECTOR
 MAT'L. DECAL - 004040 - 2 WDG./2 SPEED 1Y-1Y
 FINISH: MARATHON

DRAWN	SW 06/19/02
CHK	MN 06/19/02
APPD	
SCALE	1=1
REF	
FMF	
PREV	

THIS DRAWING IN DESIGN AND DETAIL IS OUR PROPERTY AND MUST NOT BE USED EXCEPT IN CONNECTION WITH OUR WORK ALL RIGHTS OF DESIGN AND INVENTION ARE RESERVED THIS IS AN ELECTRONICALLY GENERATED DOCUMENT - DO NOT SCALE THIS PRINT		RFP	CAD FILE	00504601ME	SIZE	DRAWING NO.	REV.
		DIST			A	005046-01ME	

CERTIFICATION DATA SHEET

Model#: 182TTDW7413 AA **WINDING#:** T8(4-6)11 NONE 1
CONN. DIAGRAM: 005046.01ME **ASSEMBLY:** F1 ONLY
OUTLINE: 035539-850

TYPICAL MOTOR PERFORMANCE DATA

HP	KW	SYNC. RPM	F.L. RPM	FRAME	ENCLOSURE	KVA CODE	DESIGN
2&.9	1.49&.67	1800	1765&1170	182T	DP	M	2VT

PH	Hz	VOLTS	FL AMPS	START TYPE	DUTY	INSL	S.F	AMB°C	ELEVATION
3	60/60	200-230	6.6-6.4&3.8-3.9	ACROSS THE LINE	CONTINUOUS	F4	1.15/1.15	40	3300

FULL LOAD EFF: 80&75.5	3/4 LOAD EFF: 77.7	1/2 LOAD EFF: 73.3	GTD. EFF	ELEC. TYPE	NO LOAD AMPS
FULL LOAD PF: 73.2&57.3	3/4 LOAD PF: 64.6	1/2 LOAD PF: 51.7	77	SQ CAGE IND RUN	4.4

F.L. TORQUE	LOCKED ROTOR AMPS	L.R. TORQUE	B.D. TORQUE	F.L. RISE°C
5.95 LB-FT	47	13.13 LB-FT 221	23.7 LB-FT 398	60

SOUND PRESSURE @ 3 FT.	SOUND POWER	ROTOR WK^2	MAX. WK^2	SAFE STALL TIME	STARTS /HOUR	APPROX. MOTOR WGT
0 dBA	10 dBA	0 LB-FT^2	0 LB-FT^2	10 SEC.	2	80 LBS.

***** SUPPLEMENTAL INFORMATION *****

DE BRACKET TYPE	ODE BRACKET TYPE	MOUNT TYPE	ORIENTATION	SEVERE DUTY	HAZARDOUS LOCATION	DRIP COVER	SCREENS	PAINT
STANDARD	STANDARD	RIGID	HORIZONTAL	FALSE	NONE	FALSE	NONE	BLUE (ENAMEL)

BEARINGS		GREASE	SHAFT TYPE	SPECIAL DE	SPECIAL ODE	SHAFT MATERIAL	FRAME MATERIAL
DE	OPE						
BALL	BALL	POLYREX EM	T	NONE	NONE	AISI 1045 (C-240)	ROLLED STEEL
6206	6205						

THERMO-PROTECTORS				THERMISTORS	CONTROL	SPACE /n HEATERS
THERMOSTATS	PROTECTORS	WDG RTDs	BRG RTDs			
NONE	NOT	NONE	NONE	NONE	FALSE	NONE VOLTS

If Inverter equals NONE, contact factory for further information

*
N
O
T
E
S
*

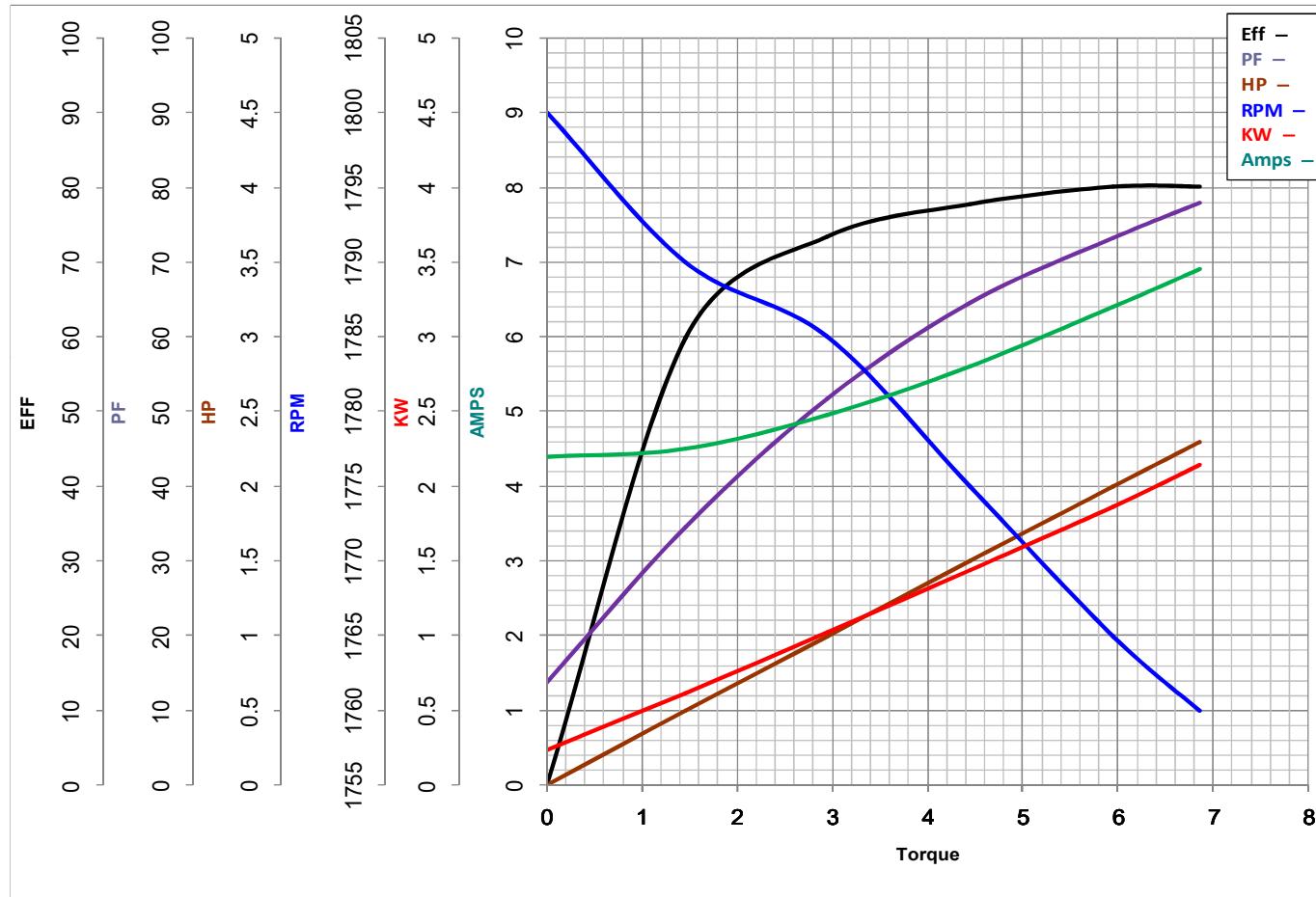
INVERTER TORQUE: NONE
INV. HP SPEED RANGE: NONE
ENCODER: NONE
NONE NONE
NONE NONE PPR
BRAKE: NONE NONE
NONE P/N NONE
NONE NONE
NONE FT-LB NONE V NONE Hz

DATE: 06/27/2017 01:59:30 AM
 FORM 3531 REV.3 02/07/99
 ** Subject to change without notice.



MARATHON ELECTRIC CORPORATION
TYPICAL PERFORMANCE CURVE for AC MOTOR

Customer _____ Curve at 230 Volts HP 2&0.9 PHASE 3
 Model No 182TTDW7413 60 HZ
2 HP VOLTS 200-230&200-230
 Catalog No Y1453 HZ 60&60 RPM 1765&1170



				Torque in LB-FT	
FL TORQUE	<u>5.95</u>	LB-FT	FL AMPS	<u>6.6-6.4</u>	
BD TORQUE	<u>23.7</u>	LB-FT	PU TORQUE	<u>13.6</u>	LB-FT
LR TORQUE	<u>13.13</u>	LB-FT	LR AMPS	<u>47</u>	
WINDING	T8(4-6)11-1		Date	1/10/2019	