

# PRODUCT INFORMATION PACKET

**marathon®**  
Motors

Model No: 182TTDW7350

Catalog No: M1314A

Close-Coupled Pump Motor, 3 & 2 HP, 3 Ph, 60 & 50 Hz, 208-230/460 & 190/380 V, 1800 & 1500 RPM,  
182JMV Frame, DP

Regal and Marathon are trademarks of Regal Rexnord Corporation or one of its affiliated companies.

©2023 Regal Rexnord Corporation, All Rights Reserved. MC017097E

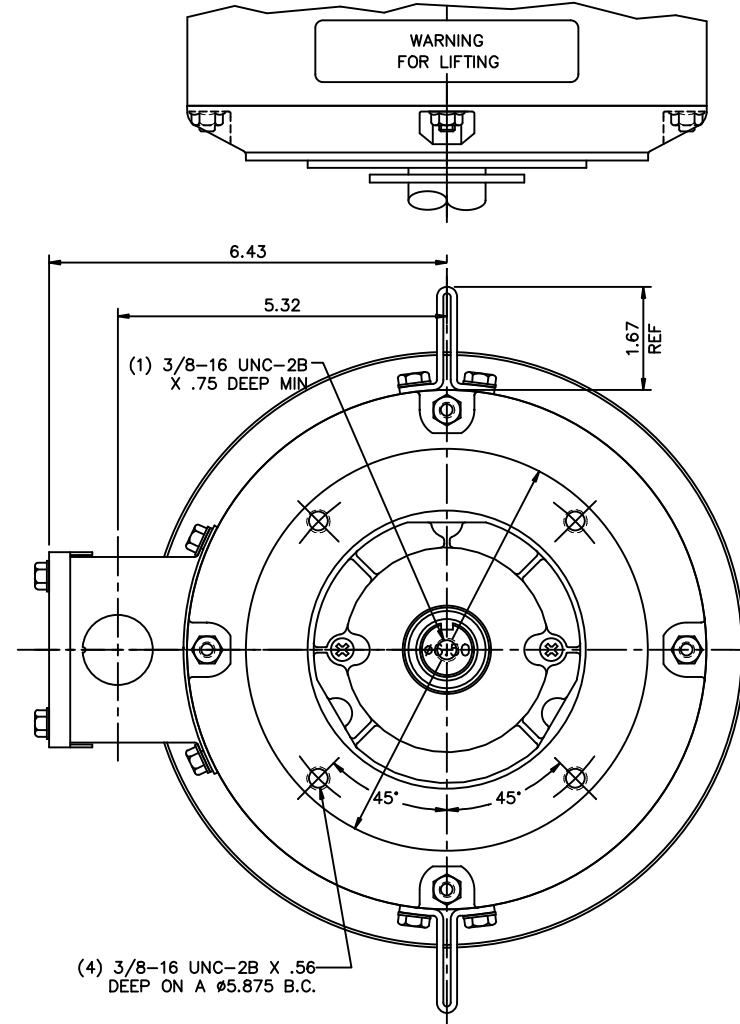
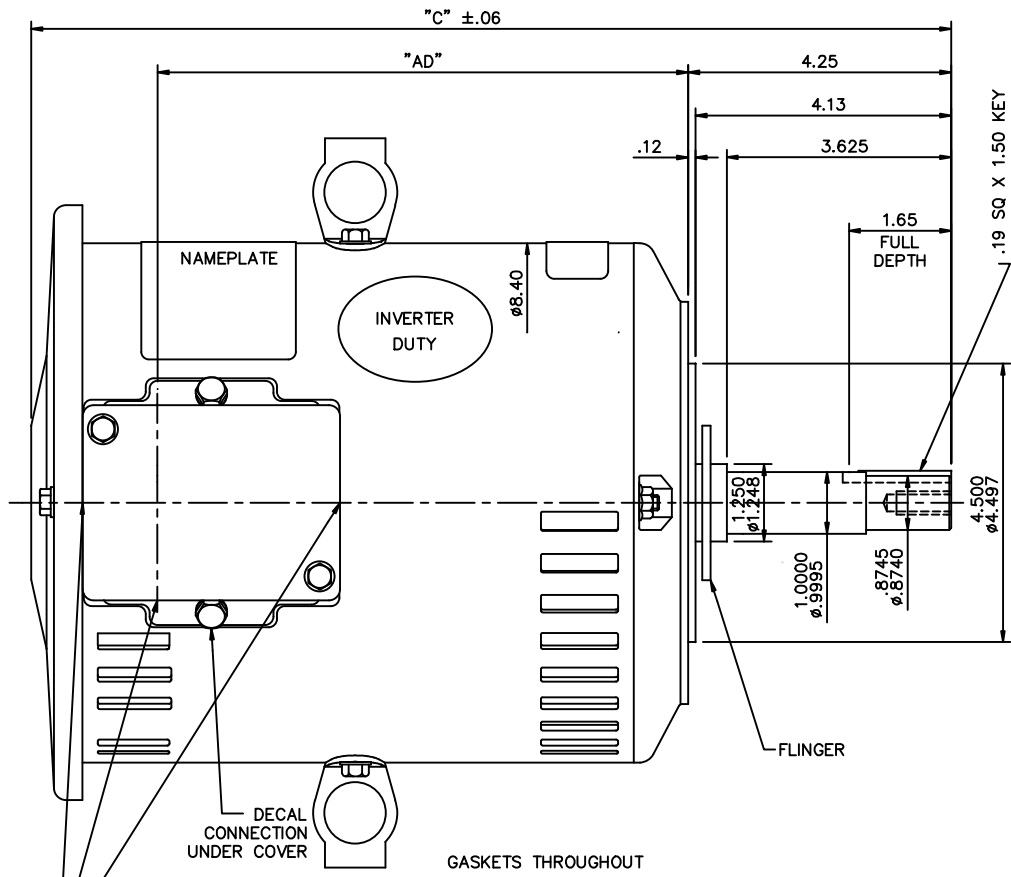
**RegalRexnord**

### Nameplate Specifications

Phase	<b>3</b>	Output HP	<b>3 &amp; 2 Hp</b>
Output KW	<b>2.2 &amp; 1.5 kW</b>	Voltage	<b>208-230/460 &amp; 190/380 V</b>
Speed	<b>1745 &amp; 1445 rpm</b>	Service Factor	<b>1.15 &amp; 1.0</b>
Frame	<b>182JMV</b>	Enclosure	<b>Drip Proof</b>
Thermal Protection	<b>No Protection</b>	Efficiency	<b>82.5 &amp; 81.7 %</b>
Ambient Temperature	<b>40 °C</b>	Frequency	<b>60 &amp; 50 Hz</b>
Current	<b>9.2-9/4.5 &amp; 8.8/4.4 A</b>	Power Factor	<b>77.5</b>
Duty	<b>Continuous</b>	Insulation Class	<b>F</b>
Design Code	<b>B</b>	KVA Code	<b>K</b>
Drive End Bearing Size	<b>6207</b>	Opp Drive End Bearing Size	<b>6205</b>
UL	<b>Recognized</b>	CSA	<b>Y</b>
CE	<b>Y</b>	IP Code	<b>22</b>
Number of Speeds	<b>1</b>		

### Technical Specifications

Electrical Type	<b>Squirrel Cage Induction Run</b>	Starting Method	<b>Across The Line</b>
Poles	<b>4</b>	Rotation	<b>Reversible</b>
Resistance Main	<b>1.19 Ohms</b>	Mounting	<b>Round</b>
Motor Orientation	<b>Shaft Down</b>	Drive End Bearing	<b>Ball</b>
Opp Drive End Bearing	<b>Ball</b>	Frame Material	<b>Rolled Steel</b>
Shaft Type	<b>JM</b>	Overall Length	<b>17.87 in</b>
Frame Length	<b>8.00 in</b>	Shaft Diameter	<b>0.875 in</b>
Shaft Extension	<b>4.28 in</b>	Assembly/Box Mounting	<b>F1 ONLY</b>
Outline Drawing	<b>035587-800</b>	Connection Drawing	<b>005010.01ME</b>



Ø1.13 KNOCKOUTS  
(3) REQUIRED

MAXIMUM FACE RUNOUT TO BE .004 T.I.R.  
MAXIMUM PILOT ECCENTRICITY TO BE .004 T.I.R.  
PERMISSIBLE SHAFT RUNOUT TO BE .004 T.I.R.

DASH NO.	"C"	"AD"
850	15.12	8.07
900	15.62	8.57
950	16.12	9.07
1000	16.52	9.57
1050	17.12	10.07
1100	17.52	10.57
1150	18.12	11.07

NO.	REVISION	BY & DATE
A	ADDED VENTS IN THE ODE SIDE	VV 8/21/2008

THIS DRAWING IN DESIGN AND DETAIL IS OUR PROPERTY AND MUST NOT BE USED EXCEPT IN CONNECTION WITH OUR WORK. ALL RIGHTS OF DESIGN AND INVENTION ARE RESERVED. THIS IS AN ELECTRONICALLY GENERATED DOCUMENT - DO NOT SCALE THIS PRINT

TOLERANCES UNLESS SPECIFIED	
DEC.	INCHES
.X	±.1
.XX	±.03
.XXX	±.005
.XXXX	±.0005
CHK	ANG ±1/2'
RFP	
DIST	

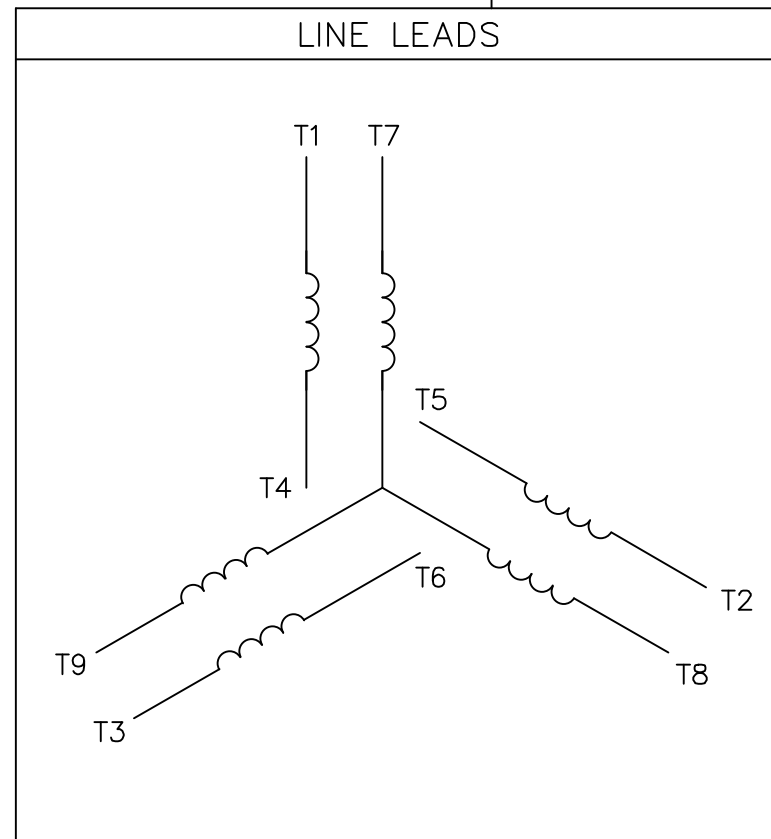
**MARATHON ELECTRIC**

TITLE: OUTLINE- 180JM FRAME  
DRIP PROOF- "C" FACE- JM PUMP

CAD FILE: 035587

DRAWN	VW 10/22/07
CHK	
APPD	YS 10/22/07
SCALE	1=2
REF	035587
FMF	182TDW7350
PREV	
SIZE	DRAWING NO.
B	035587
REV.	A

VIEW FROM OUTSIDE OF MOTOR AT SWITCH END.



VOLTAGE	L1	L2	L3	JOIN & INSULATE
HIGH	T1	T2	T3	(T4,T7) (T5,T8) (T6,T9)
LOW	T1,T7	T2,T8	T3,T9	T4,T5,T6

		TOLERANCES UNLESS SPECIFIED		DRAWN RDW 04/12/02						
		DEC.	INCHES	CHK						
		.X	±.1	APPD						
		.XX	±.01	SCALE 1=1						
		.XXX	±.005	REF FIG.2-51						
		.XXXX	±.0005	FMF						
NO.	REVISION	BY & DATE	CHK	ANG	±1/2'	FINISH	PREV			
			RFP	04/12/02		CAD FILE	00501001ME	SIZE	DRAWING NO.	REV.
			DIST					A	005010-01ME	



TITLE EXTERNAL WIRING DIAGRAM  
3 PHASE W/O PROTECTOR  
MAT'L. DECAL - 004014

THIS DRAWING IN DESIGN AND DETAIL IS OUR PROPERTY AND MUST NOT BE USED EXCEPT IN CONNECTION WITH OUR WORK ALL RIGHTS OF DESIGN AND INVENTION ARE RESERVED THIS IS AN ELECTRONICALLY GENERATED DOCUMENT - DO NOT SCALE THIS PRINT