

# PRODUCT INFORMATION PACKET

**marathon**<sup>®</sup>  
Motors

Model No: 182TTDW4006

Catalog No: E098

Close-Coupled Pump Motor, 3 & 2 HP, 3 Ph, 60 & 50 Hz, 230/460 & 190/380 V, 1800 & 1500 RPM,  
182JMV Frame, DP

Regal and Marathon are trademarks of Regal Rexnord Corporation or one of its affiliated companies.

©2023 Regal Rexnord Corporation, All Rights Reserved. MC017097E

**RegalRexnord**

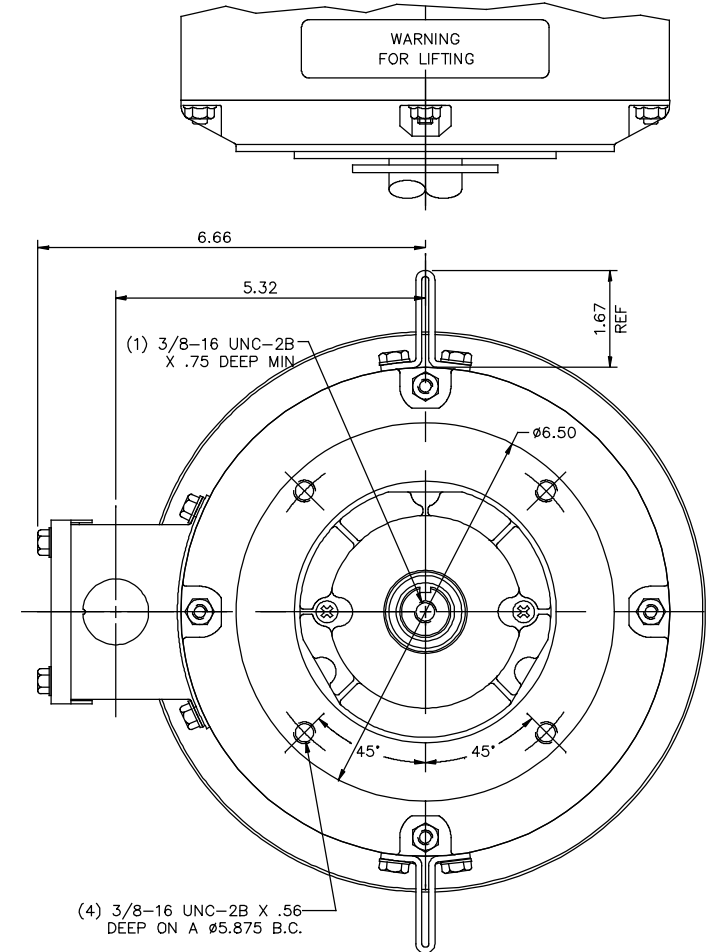
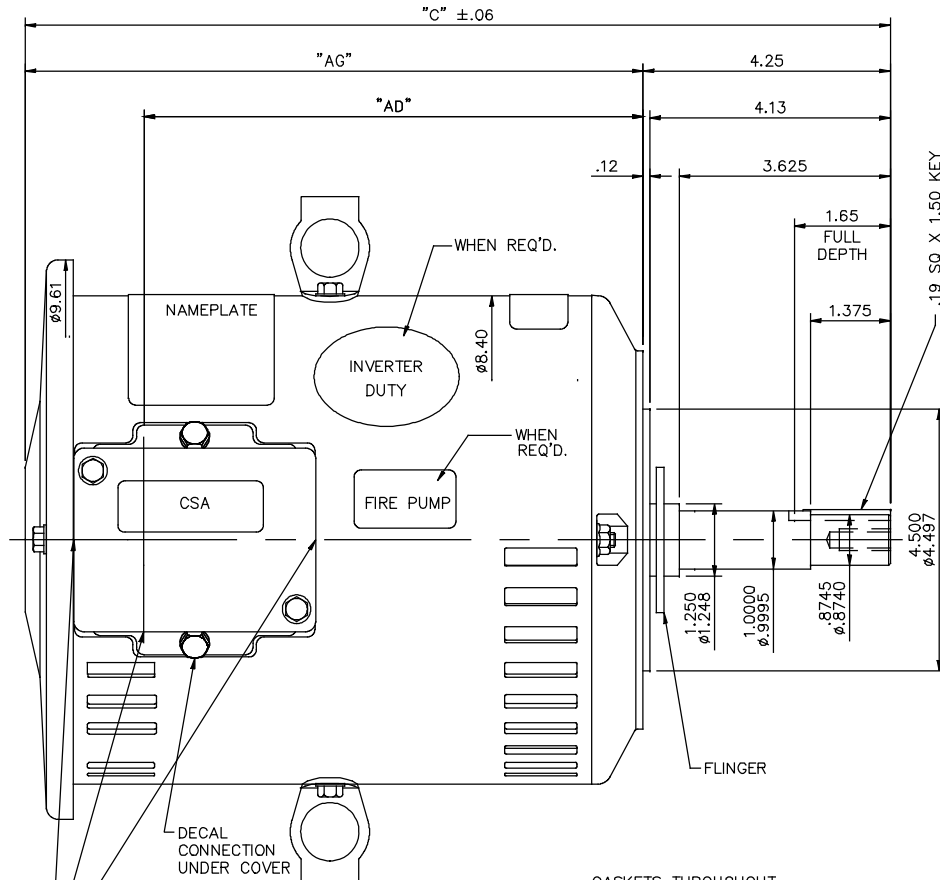
### Nameplate Specifications

Phase	<b>3</b>	Output HP	<b>3 &amp; 2 Hp</b>
Output KW	<b>2.2 &amp; 1.5 kW</b>	Voltage	<b>230/460 &amp; 190/380 V</b>
Speed	<b>1765 &amp; 1480 rpm</b>	Service Factor	<b>1.15 &amp; 1.0</b>
Frame	<b>182JMV</b>	Enclosure	<b>Drip Proof</b>
Thermal Protection	<b>No Protection</b>	Efficiency	<b>86.5 &amp; 87 %</b>
Ambient Temperature	<b>40 °C</b>	Frequency	<b>60 &amp; 50 Hz</b>
Current	<b>8.8/4.4 &amp; 7.8/3.9 A</b>	Power Factor	<b>73.8</b>
Duty	<b>Continuous</b>	Insulation Class	<b>F</b>
Design Code	<b>B</b>	KVA Code	<b>K</b>
Drive End Bearing Size	<b>6207</b>	Opp Drive End Bearing Size	<b>6205</b>
UL	<b>Recognized</b>	CSA	<b>Y</b>
CE	<b>Y</b>	IP Code	<b>22</b>
Number of Speeds	<b>1</b>		

### Technical Specifications

Electrical Type	<b>Squirrel Cage Induction Run</b>	Starting Method	<b>Across The Line</b>
Poles	<b>4</b>	Rotation	<b>Reversible</b>
Resistance Main	<b>4.85 Ohms</b>	Mounting	<b>Round</b>
Motor Orientation	<b>Shaft Down</b>	Drive End Bearing	<b>Ball</b>
Opp Drive End Bearing	<b>Ball</b>	Frame Material	<b>Rolled Steel</b>
Shaft Type	<b>JM</b>	Overall Length	<b>14.95 in</b>
Frame Length	<b>9.00 in</b>	Shaft Diameter	<b>0.875 in</b>
Shaft Extension	<b>4.25 in</b>	Assembly/Box Mounting	<b>W6</b>
Outline Drawing	<b>035547-900</b>	Connection Drawing	<b>005010.01ME</b>

035547



MAXIMUM FACE RUNOUT TO BE .004 T.I.R.  
 MAXIMUM PILOT ECCENTRICITY TO BE .004 T.I.R.

DASH NO.	"C"	"AG"	"AD"
850	14.45	10.20	8.13
900	14.95	10.70	8.63
950	15.45	11.20	9.13
1000	15.95	11.70	9.63
1050	16.45	12.20	10.13
1100	16.95	12.70	10.63
1150	17.45	13.20	11.13

NO.	REVISION	BY & DATE	CHK	ANG	TOLERANCES UNLESS SPECIFIED
05	UPDATED PER ECR-0141965	MVG 10/09/17	SR		DEC. INCHES
04	UPDATED REGAL LOGO	SS 05/17/16		X	±.1
03	"C", "AG" & "AD" DIM. UPDATED ON DASH #TABLE	PVR 11/21/12	JD	XX	±.03
02	KEY WAS .19 SQ X 1.75	JD 7/15/2011		XXX	±.005
01	ADD UL DECAL PER ISAAC 11-1098	LST 3/9/11		XXXX	±.0005

		Regal Beloit America, Inc.		DRAWN WV 18/08/07	
TITLE OUTLINE- 180JM FRAME DRIP PROOF- "C" FACE- JM PUMP		SCALE 1=2		APPD YS 18/08/07	
FINISH		MAT'L		REF 035486	
CAD FILE 035547		SIZE B		DRAWING NO. 035547	
RFP		DIST		PREV	
THIS DRAWING IN DESIGN AND DETAIL IS OUR PROPERTY AND MUST NOT BE USED EXCEPT IN CONNECTION WITH OUR WORK. ALL RIGHTS OF DESIGN AND INVENTION ARE RESERVED. THIS IS AN ELECTRONICALLY GENERATED DOCUMENT - DO NOT SCALE THIS PRINT		BY & DATE		REV. 05	

