

# PRODUCT INFORMATION PACKET

Model No: 182TTDW16048

Catalog No: U425B

XRI® General Purpose General Purpose Motor, 3 HP, 3 Ph, 60 Hz, 200-208 V, 1800 RPM, 182T Frame, DP



Regal and Marathon are trademarks of Regal Rexnord Corporation or one of its affiliated companies.  
©2024 Regal Rexnord Corporation, All Rights Reserved. MC017097E

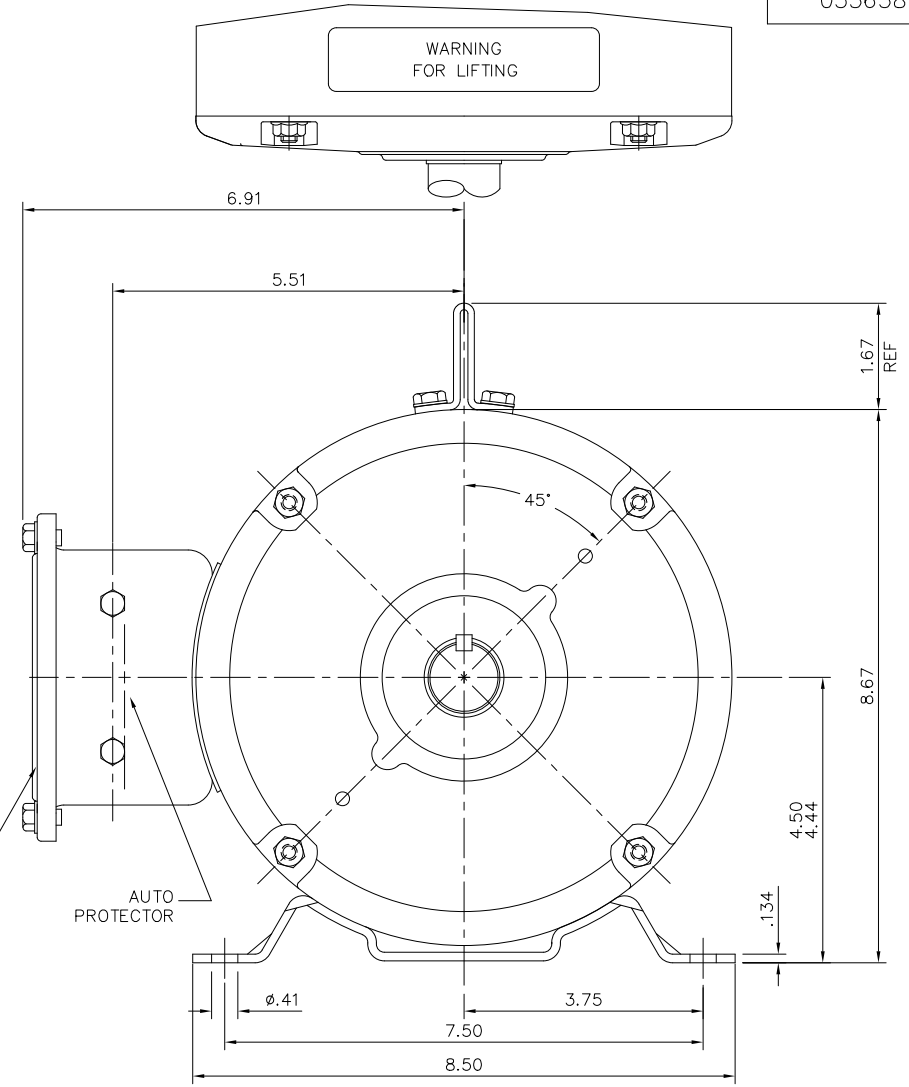
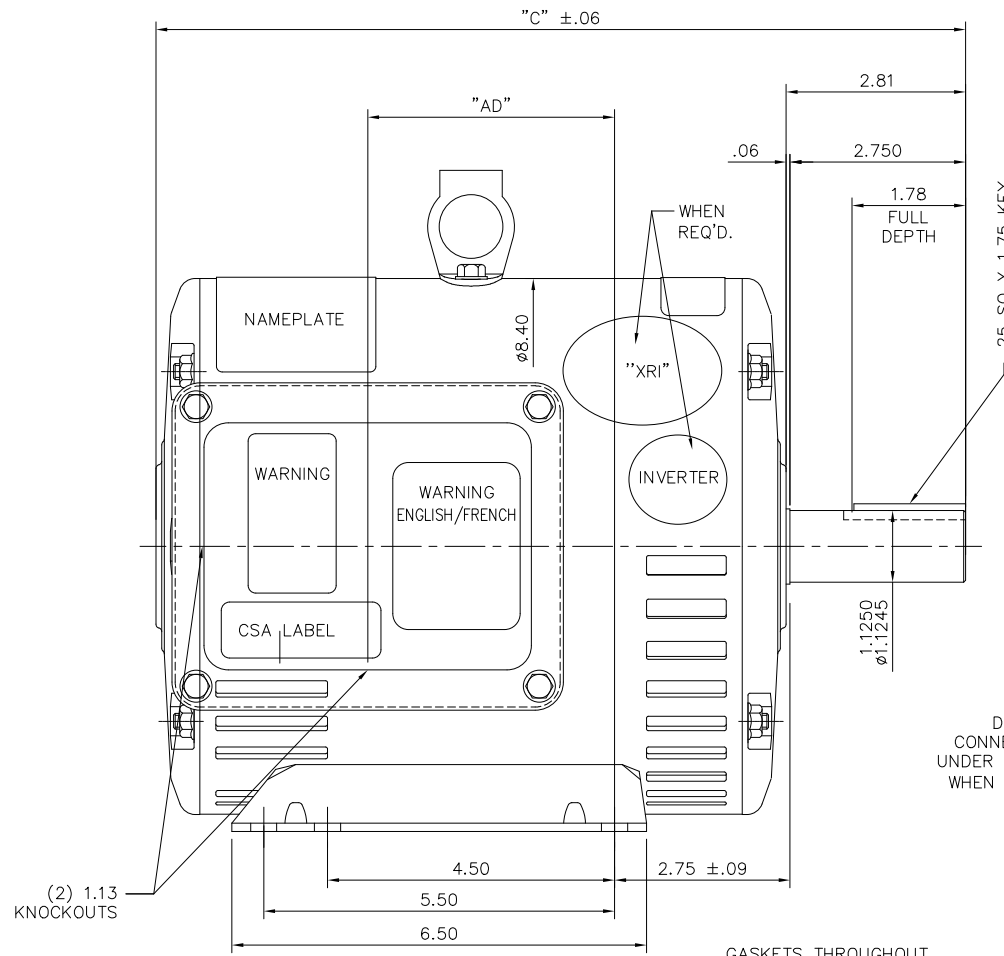


### Nameplate Specifications

Phase	<b>3</b>	Output HP	<b>3 Hp</b>
Output KW	<b>2.2 kW</b>	Voltage	<b>200-208 V</b>
Speed	<b>1760 rpm</b>	Service Factor	<b>1.15</b>
Frame	<b>182T</b>	Enclosure	<b>Drip Proof</b>
Thermal Protection	<b>Automatic</b>	Efficiency	<b>89.5 %</b>
Ambient Temperature	<b>40 °C</b>	Frequency	<b>60 Hz</b>
Current	<b>9.0-8.9 A</b>	Power Factor	<b>79</b>
Duty	<b>Continuous</b>	Insulation Class	<b>F</b>
Design Code	<b>B</b>	KVA Code	<b>K</b>
Drive End Bearing Size	<b>206</b>	Opp Drive End Bearing Size	<b>205</b>
UL	<b>Recognized</b>	CSA	<b>Y</b>
CE	<b>Y</b>	IP Code	<b>22</b>
Number of Speeds	<b>1</b>		

### Technical Specifications

Electrical Type	<b>Squirrel Cage Induction Run</b>	Starting Method	<b>Across The Line</b>
Poles	<b>4</b>	Rotation	<b>Reversible</b>
Resistance Main	<b>3.89 Ohms</b>	Mounting	<b>Rigid Base</b>
Motor Orientation	<b>Horizontal</b>	Drive End Bearing	<b>Ball</b>
Opp Drive End Bearing	<b>Ball</b>	Frame Material	<b>Rolled Steel</b>
Shaft Type	<b>T</b>	Overall Length	<b>13.19 in</b>
Frame Length	<b>9.00 in</b>	Shaft Diameter	<b>1.125 in</b>
Shaft Extension	<b>2.81 in</b>	Assembly/Box Mounting	<b>F1/F2 Capable</b>
Connection Drawing	<b>005019.01ME</b>	Outline Drawing	<b>035658-900</b>

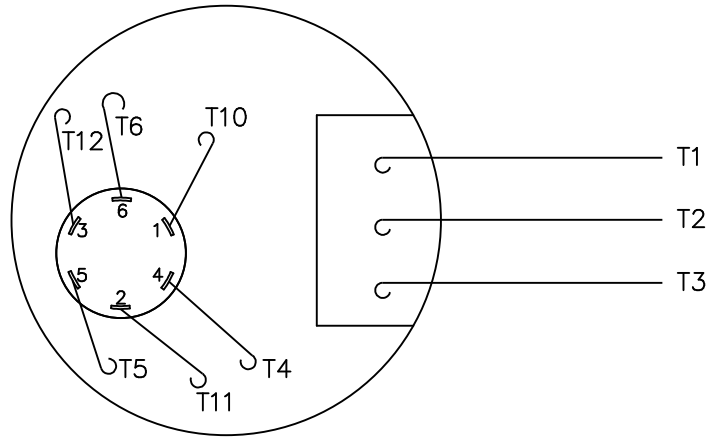


GASKETS THROUGHOUT

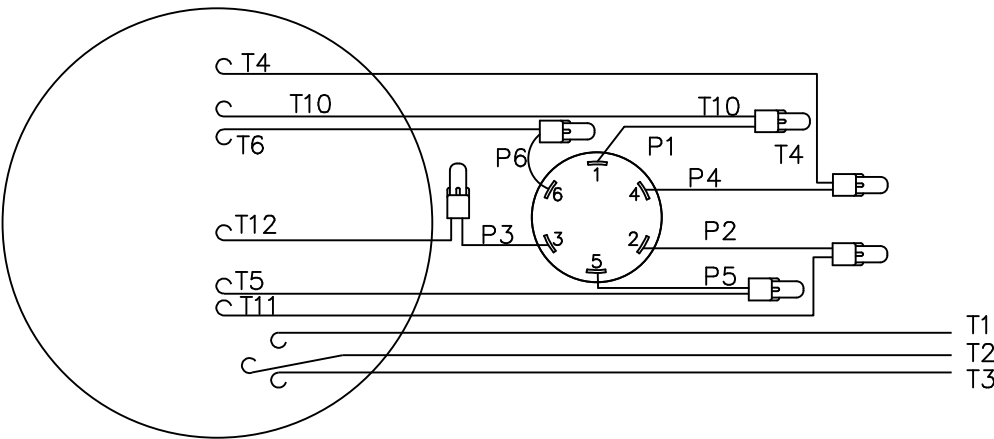
(2) 1.13 KNOCKOUTS

DASH NO.	"C"	"AD"
850	12.69	3.87
900	13.19	4.37
950	13.69	4.87
1000	14.19	5.37
1050	14.69	5.87
1100	15.19	6.37
1150	15.69	6.87
1200	16.19	7.37

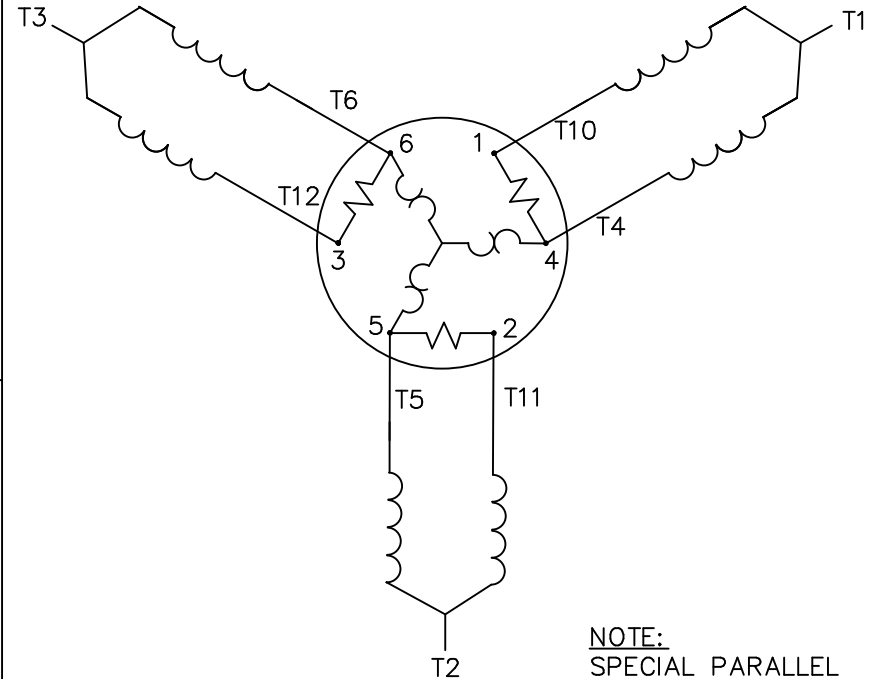
				TOLERANCES UNLESS SPECIFIED		MARATHON ELECTRIC	DRAWN YS 03/20/08			
				DEC.	INCHES		CHK	APPD		
				.X	±.1					
				.XX	±.03	TITLE	OUTLINE - 180T FRAME			
H	DE & NDE BKT ROTATED TO 45°. AS PER CR-0017346	BBR 1/23/2024		.XXX	±.005		DRIP PROOF - RIGID			
01	AD DIM UPDATED	AK 03/07/2011		.XXXX	±.0005	MAT'L	SCALE	1=2		
NO.	REVISION	BY & DATE	CHK	ANG	±1/2"	FINISH	REF	035621		
THIS DRAWING IN DESIGN AND DETAIL IS OUR PROPERTY AND MUST NOT BE USED EXCEPT IN CONNECTION WITH OUR WORK ALL RIGHTS OF DESIGN AND INVENTION ARE RESERVED THIS IS AN ELECTRONICALLY GENERATED DOCUMENT - DO NOT SCALE THIS PRINT				RFP		CAD FILE	035658	SIZE	DRAWING NO.	REV.
				DIST	NLV		B	035658	H	



VIEWS FROM OUTSIDE OF MOTOR AT LEAD END




**CAUTION:**  
LEAD WIRE INSULATION TO EXTEND MINIMUM OF 1/4" INTO CONNECTOR INSULATION



**NOTE:**  
SPECIAL PARALLEL CONNECTION. 1/2 LINE CURRENT THROUGH

T1	T2	T3
L1	L2	L3

		TOLERANCES UNLESS SPECIFIED	
		DEC.	INCHES
		.X	±.1
		.XX	±.01
		.XXX	±.005
01	TITLE BLOCK UPDATED	YS 03/20/08	.XXXX ±.0005
NO.	REVISION	BY & DATE	CHK ANG ±1/2"
THIS DRAWING IN DESIGN AND DETAIL IS OUR PROPERTY AND MUST NOT BE USED EXCEPT IN CONNECTION WITH OUR WORK ALL RIGHTS OF DESIGN AND INVENTION ARE RESERVED THIS IS AN ELECTRONICALLY GENERATED DOCUMENT - DO NOT SCALE THIS PRINT		RFP	ANG ±1/2"
		DIST	BRF-NLV

REGAL-BELOIT 		DRAWN	YS 03/20/08
		CHK	
		APPD	
TITLE		SCALE	1=1
EXTERNAL WIRING DIAGRAM SINGLE VOLT-3 PHASE,"T" W/ PROTECTOR		REF	
MAT'L.		FMF	184TTDW4153
DECAL - 004015		PREV	
CAD FILE	00501901ME	SIZE	DRAWING NO.
		A	005019-01ME
			REV.
			01

**CERTIFICATION DATA SHEET**

**Model#:** 182TTDW16048 AA  
**CONN. DIAGRAM:** 005019.01ME  
**OUTLINE:** 035658-900

**WINDING#:** T84173 DR 11  
**ASSEMBLY:** F1/F2 CAPABLE

**TYPICAL MOTOR PERFORMANCE DATA**

HP	KW	SYNC. RPM	F.L. RPM	FRAME	ENCLOSURE	KVA CODE	DESIGN
3	2.24	1800	1760	182T	DP	K	B

PH	Hz	VOLTS	FL AMPS	START TYPE	DUTY	INSL	S.F	AMB°C	ELEVATION
3	60	200-208	9-8.85	ACROSS THE LINE	CONTINUOUS	F4	1.15	40	3300

FULL LOAD EFF: 86.5	3/4 LOAD EFF: 89.5	1/2 LOAD EFF: 88.2	GTD. EFF	ELEC. TYPE	NO LOAD AMPS
FULL LOAD PF: 79	3/4 LOAD PF: 73.2	1/2 LOAD PF: 61.1	88.5	SQ CAGE IND RUN	4.4

F.L. TORQUE	LOCKED ROTOR AMPS	L.R. TORQUE	B.D. TORQUE	F.L. RISE°C
8.9 LB-FT	75.6	22 LB-FT 247	35.8 LB-FT 402	31

SOUND PRESSURE @ 3 FT.	SOUND POWER	ROTOR WK^2	MAX. WK^2	SAFE STALL TIME	STARTS /HOUR	APPROX. MOTOR WGT
51 dBA	61 dBA	0.357 LB-FT^2	55 LB-FT^2	15 SEC.	2	0 LBS.

**\*\*\* SUPPLEMENTAL INFORMATION \*\*\***

DE BRACKET TYPE	ODE BRACKET TYPE	MOUNT TYPE	ORIENTATION	SEVERE DUTY	HAZARDOUS LOCATION	DRIP COVER	SCREENS	PAINT
STANDARD	STANDARD	RIGID	HORIZONTAL	FALSE	NONE	FALSE	NONE	BLUE (ENAMEL)

BEARINGS		GREASE	SHAFT TYPE	SPECIAL DE	SPECIAL ODE	SHAFT MATERIAL	FRAME MATERIAL
DE	OPE						
BALL	BALL	POLYREX EM	T	NONE	NONE	1144 STRESSPROOF (C-223)	ROLLED STEEL
206	205						

THERMO-PROTECTORS				THERMISTORS	CONTROL	SPACE /n HEATERS
THERMOSTATS	PROTECTORS	WDG RTDs	BRG RTDs			
NONE	AUTOMATIC	NONE	NONE	NONE	FALSE	NONE VOLTS

If Inverter equals NONE, contact factory for further information

\*  
N  
O  
T  
E  
S  
\*

INVERTER TORQUE: NONE
INV. HP SPEED RANGE: NONE
ENCODER: NONE
NONE NONE
NONE NONE PPR
BRAKE: NONE NONE
NONE P/N NONE
NONE NONE
NONE FT-LB NONE V NONE Hz

DATE: 06/27/2017 01:43:49 AM  
 FORM 3531 REV.3 02/07/99  
 \*\* Subject to change without notice.

Data Sheet

Date: 6/29/2017

182TTDW16048

Customer: \_\_\_\_\_  
 Attention: \_\_\_\_\_  
 Submitted by: FAREEDA DUDEKULA



Submittal

Data @ 208 V

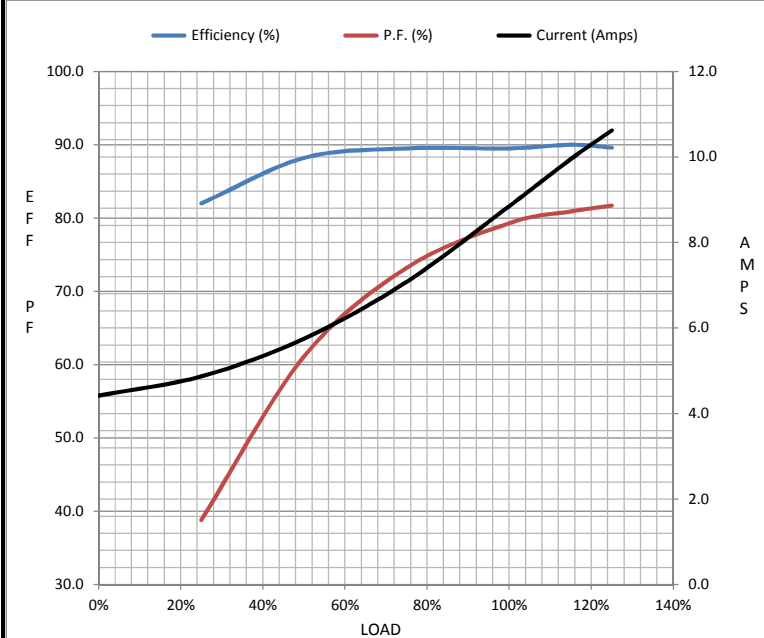
Motor Load Data

Load	0%	25%	50%	75%	100%	115%	125%	LR
Current (Amps)	4.4	4.9	5.8	7.1	8.9	10.0	10.6	75.6
Torque (ft-lb)	0.00	2.19	4.4	6.6	8.9	10.3	11.2	22.0
RPM	1800	1790	1779	1767	1760	1,752	1745	0
Efficiency (%)		82.0	88.2	89.5	89.5	90.0	89.6	
P.F. (%)	6.9	38.8	61.1	73.2	79.3	80.9	81.7	50.5

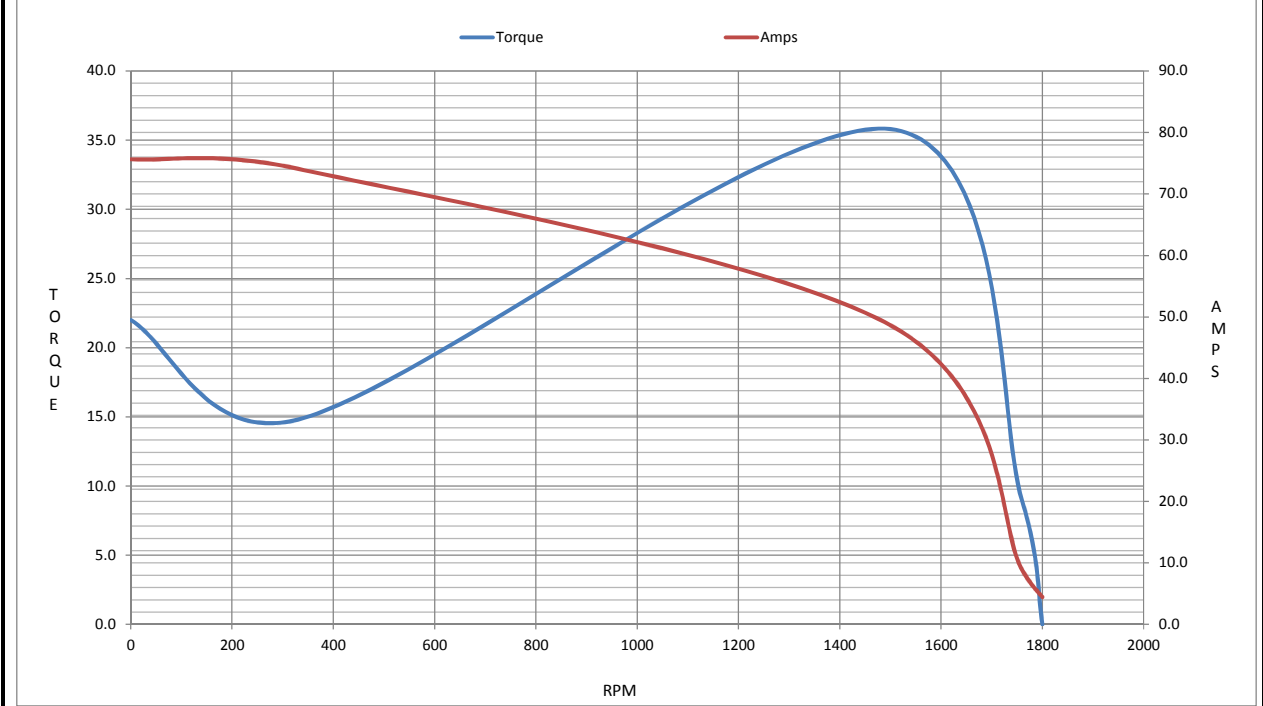
Motor Speed Data

	LR	Pull-Up	BD	Rated	Idle
Speed (RPM)	0	330	1500	1760	1800
Current (Amps)	75.6	74.1	48.7	8.9	4.4
Torque (ft-lb)	22.0	14.8	35.8	8.9	0.00

Information Block				
HP	3.0			
Sync. RPM	1800			
Frame	182			
Enclosure	DP			
Construction	TDW			
Voltage	200-208 V			
Frequency	60 Hz			
Design	B			
LR Code letter	K			
Service Factor	1.15			
Temp Rise @ FL	31 °C			
Duty	CONT			
Ambient	40 °C			
Elevation	1,000 feet			
Rotor/Shaft wk <sup>2</sup>	0.36 Lb-Ft <sup>2</sup>			
Ref Wdg	T84173 DR			
Sound Pressure @ 1M	51 dBA			
VFD Rating	NONE			
Outline Dwg	035658-900			
Conn. Diag	005019.01ME			
Additional Specifications:				
0				
0				
EQUIV CKT (OHMS / PHASE)				
R1	R2	X1	X2	Xm
0.0000	0.0000	0.0000	0.0000	0.0000



Speed -Torque Curve



## EC Declaration of Conformity

The undersigned representing  
the manufacturer:

Regal Beloit America  
100 East Randolph St.  
Wausau, WI 54401

and the authorized representative  
established within the Community:

Marathon Electric UK  
6F Thistleton Road Ind. Estate  
Market Overton  
Oakham, Rutland LE15 7PP UK

are committed to providing customers with products that comply with applicable regulations and international protocols to which they are subject, including the requirements of the European Parliament Directive on the Harmonization of the laws relating to electrical equipment designed for use within certain voltage limits (2014/35/EU).

Regal Beloit America declares that the following product(s), to which this declaration relates, are in conformity with the relevant sections of the EC standards listed below.

This statement supersedes any statements previously issued pertaining to the product(s) listed below and is subject to change without notice.

Model No : 182TTDW16048

(Model No. may contain prefix and/or suffix characters)

Catalog No : U425B

Rework No : N/A

Directives :

Low Voltage Directive 2014/35/EU

Harmonized Standards Used :

EN 60034-1: 2010 (IEC 60034-1: 2010)

EN 60034-5: 2001/A1:2007 (IEC 60034-5: 2000/A1:2006)

Authorized Representative:



Michael A. Logsdon  
Vice President, Technology

Authorized Representative in the Community:



Julian Clark  
Marketing Engineer

Created on 09/01/2022

**CE 22**