

PRODUCT INFORMATION PACKET

marathon[®]
Motors

Model No: 182TTDW16038

Catalog No: 182TTDW16038

Other Purpose Motor, 3 HP, 3 Ph, 60 Hz, 200 V, 1800 RPM, 182T Frame, TEFC

Regal and Marathon are trademarks of Regal Rexnord Corporation or one of its affiliated companies.

©2023 Regal Rexnord Corporation, All Rights Reserved. MC017097E

RegalRexnord



Nameplate Specifications

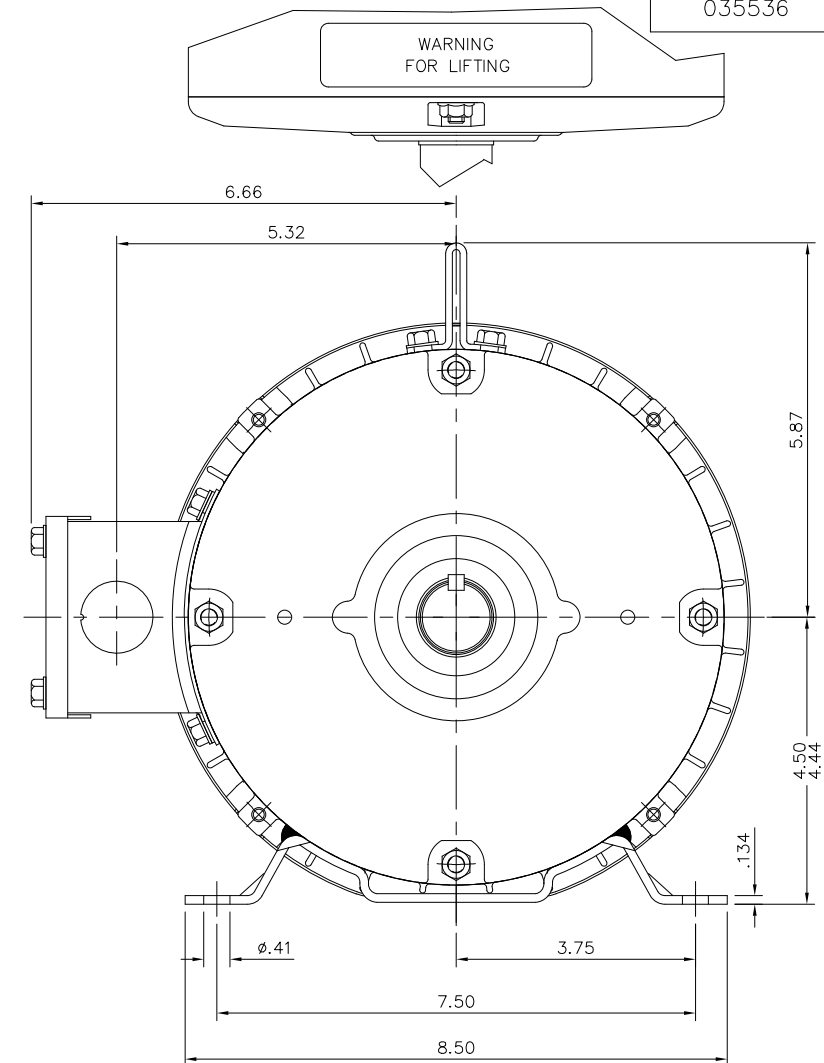
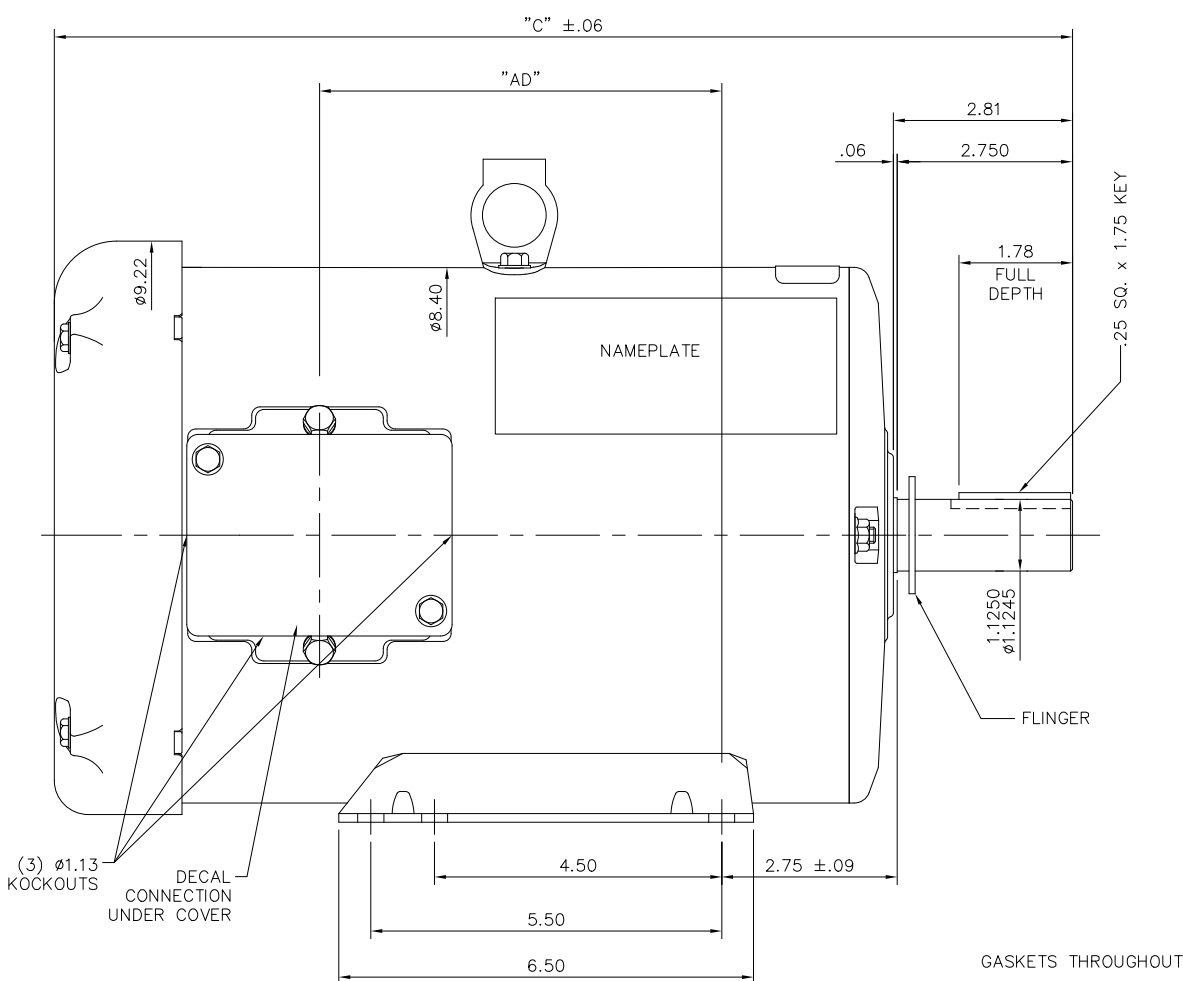
Phase	3	Output HP	3 Hp
Output KW	2.2 kW	Voltage	200 V
Speed	1770 rpm	Service Factor	1.15
Frame	182T	Enclosure	Totally Enclosed Fan Cooled
Thermal Protection	No Protection	Efficiency	89.5 %
Ambient Temperature	40 °C	Frequency	60 Hz
Current	9.0 A	Power Factor	80.5
Duty	Continuous	Insulation Class	F
Design Code	NO DESIGN CODE	KVA Code	K
Drive End Bearing Size	206	Opp Drive End Bearing Size	205
UL	Recognized	CSA	Y
CE	Y	IP Code	43
Number of Speeds	1		

Technical Specifications

Electrical Type	Squirrel Cage Inverter Rated	Starting Method	Line Or Inverter
Poles	4	Rotation	Reversible
Resistance Main	6.08 Ohms	Mounting	Rigid Base
Motor Orientation	Horizontal	Drive End Bearing	Ball
Opp Drive End Bearing	Ball	Frame Material	Rolled Steel
Shaft Type	T	Shaft Diameter	1.125 in
Assembly/Box Mounting	F1 ONLY	Inverter Load	CONSTANT 10:1
Connection Drawing	005102.01ME	Outline Drawing	035536-850

This is an uncontrolled document once printed or downloaded and is subject to change without notice. Date Created:11/20/2023

035536



(3) ø1.13 KOCKOUTS
DECAL CONNECTION UNDER COVER

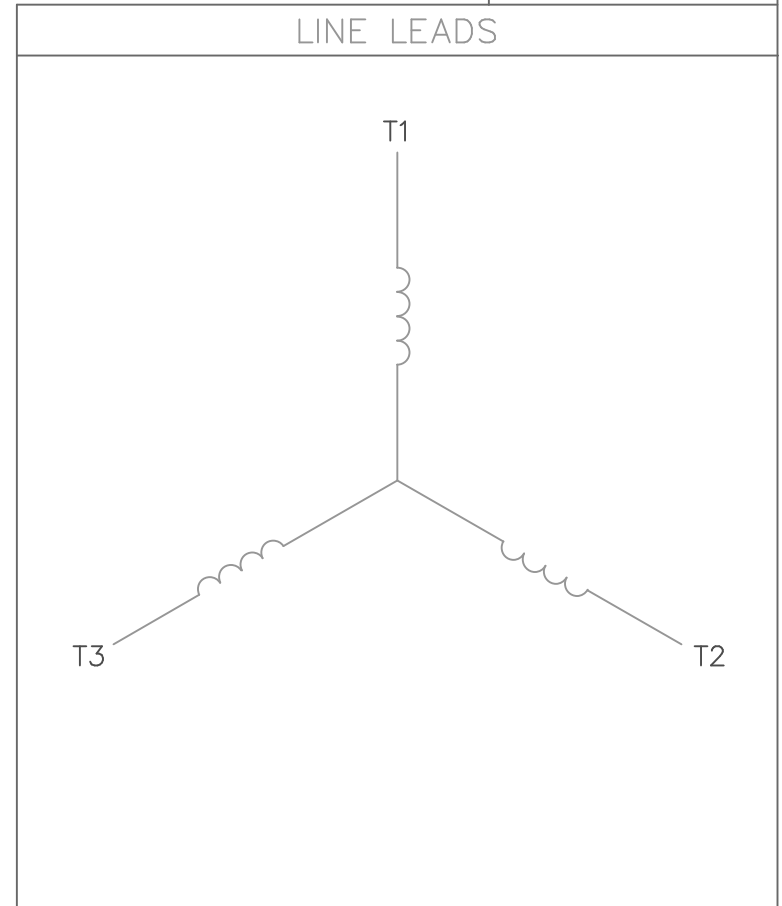
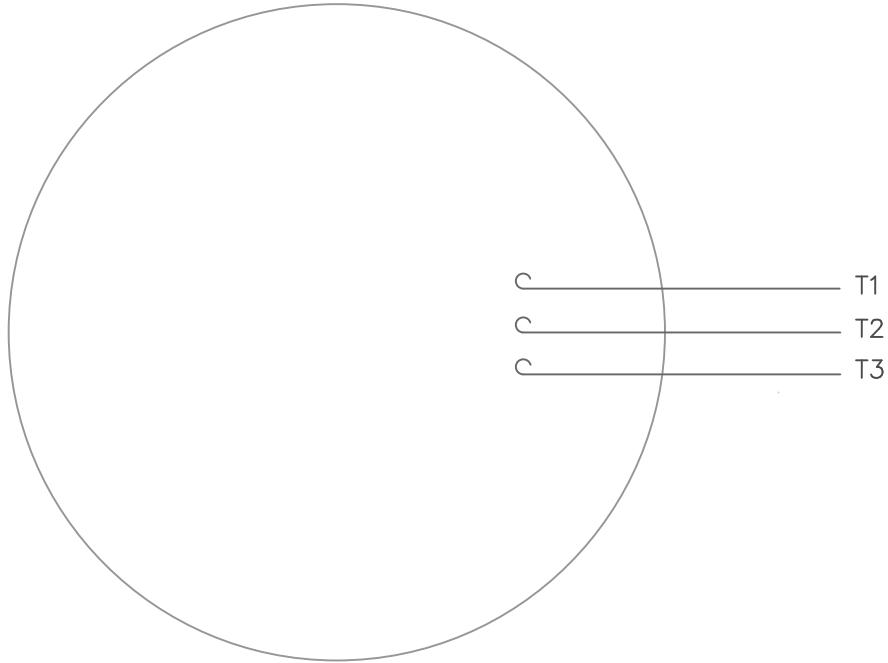
DASH NO.	"C"	"AD"
750	12.97	3.37
800	13.47	3.87
850	13.97	4.37
900	14.47	4.87
950	14.97	5.37
1000	15.47	5.87
1050	15.97	6.37
1100	16.47	6.87
1150	16.97	7.37

ORACLE REV 003

NO.	REVISION	BY & DATE	CHK	ANG	TOLERANCES UNLESS SPECIFIED	
					DEC.	INCHES
04	Updated Nameplate location	JG 09/06/23	TS	.X	±.1	
03	ADDED FLINGER	PVR 02/10/15	ST	.XX	±.03	
02	WHEN REQD NOTE ADDED FOR 'XRI' DECAL	GR 02/07/13	AK	.XXX	±.005	
01	UPDATED FRAME LENGTH TABLE	PVR 08/31/12	JD	.XXXX	±.0005	
					±1/2"	

MARATHON ELECTRIC		DRAWN	VV 07/02/07
TITLE		CHK	SV 07/02/07
OUTLINE- 180T FRAME		APPD	VS 07/02/07
TEFC- RIGID		SCALE	1=2
MAT'L		REF	
FINISH		FMF	
		PREV	
CAD FILE	035536	SIZE	DRAWING NO.
RFP		B	035536
DIST			REV. 04

VIEW FROM OUTSIDE OF MOTOR AT SWITCH END.



CONNECT LEADS AS FOLLOWS
FOR FOUR CONDUCTOR CORD ()

CORD	L1 (RED)	L2 (WHITE)	L3 (BLACK)	(GREEN)
MOTOR	T1	T2	T3	GROUND

				TOLERANCES UNLESS SPECIFIED				DRAWN RDW 5/1/02		
				DEC.	INCHES			CHK		
				.X	±.1			APPD		
				.XX	±.01			SCALE 1=1		
				.XXX	±.005			REF		
				.XXXX	±.0005	MAT'L. DECAL - 004169		FMF		
NO.	REVISION	BY & DATE	CHK	ANG	±1/2'	FINISH		PREV		
THIS DRAWING IN DESIGN AND DETAIL IS OUR PROPERTY AND MUST NOT BE USED EXCEPT IN CONNECTION WITH OUR WORK ALL RIGHTS OF DESIGN AND INVENTION ARE RESERVED THIS IS AN ELECTRONICALLY GENERATED DOCUMENT - DO NOT SCALE THIS PRINT				RFP	5/1/02	CAD FILE 00510201ME		SIZE	DRAWING NO.	REV.
				DIST				A	005102-01ME	