

PRODUCT INFORMATION PACKET

Model No: 182TTDW16021

Catalog No: E153B

Close-Coupled Pump Motor, 5 & 5 HP, 3 Ph, 60 & 50 Hz, 230/460 & 190/380 V, 3600 & 3000 RPM,
182JMV Frame, DP



Regal and Marathon are trademarks of Regal Rexnord Corporation or one of its affiliated companies.

©2023 Regal Rexnord Corporation, All Rights Reserved. MC017097E

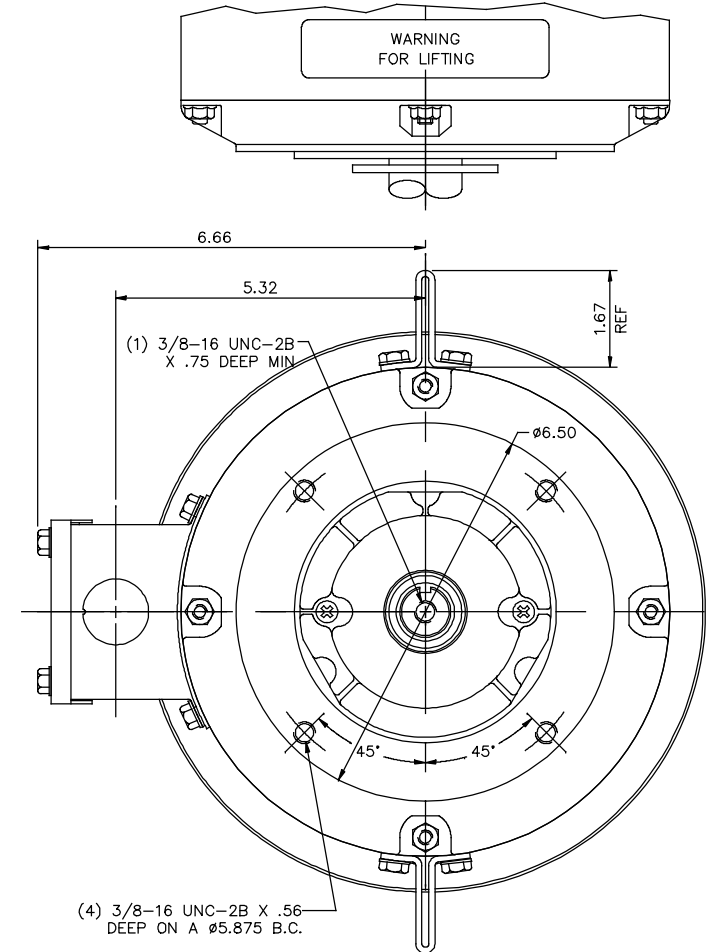
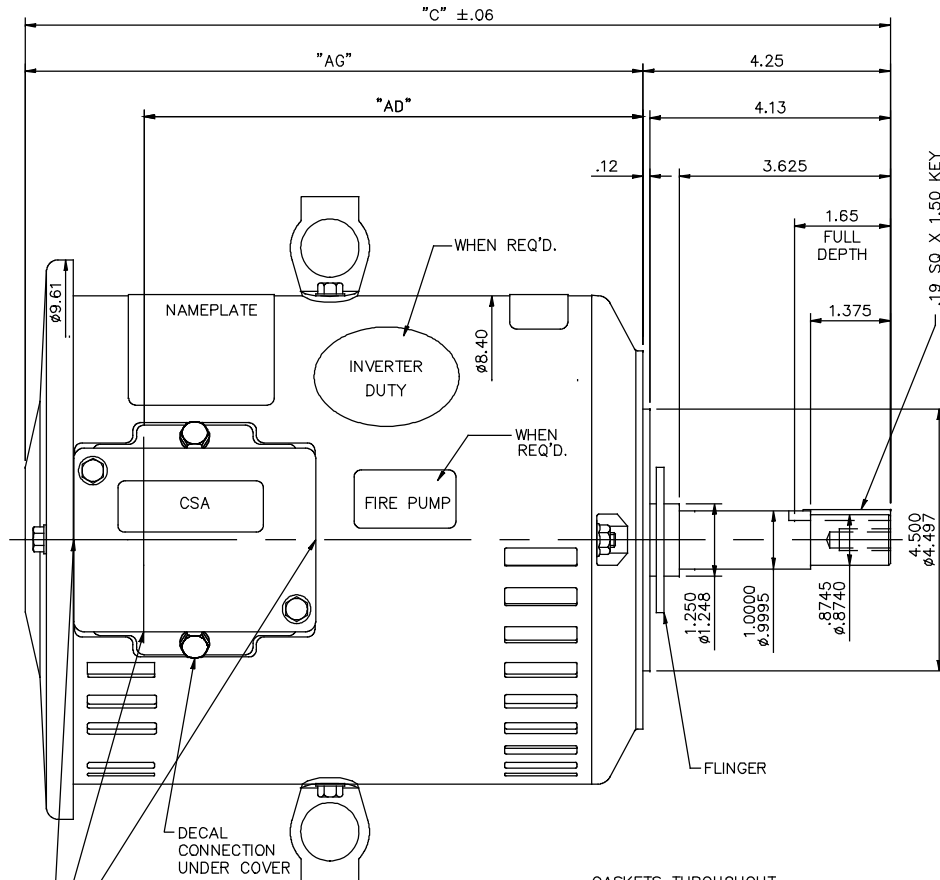
Nameplate Specifications

Phase	3	Output HP	5 & 5 Hp
Output KW	3.7 & 3.7 kW	Voltage	230/460 & 190/380 V
Speed	3500 & 2865 rpm	Service Factor	1.15 & 1.15
Frame	182JMV	Enclosure	Drip Proof
Thermal Protection	No Protection	Efficiency	86.5 & 83 %
Ambient Temperature	40 °C	Frequency	60 & 50 Hz
Current	12.4/6.2 & 15.2/7.6 A	Power Factor	86
Duty	Continuous	Insulation Class	F
Design Code	B	KVA Code	J
Drive End Bearing Size	6207	Opp Drive End Bearing Size	6205
UL	Recognized	CSA	Y
CE	Y	IP Code	12
Number of Speeds	1		

Technical Specifications

Electrical Type	Squirrel Cage Induction Run	Starting Method	Across The Line
Poles	2	Rotation	Reversible
Resistance Main	0 Ohms	Mounting	Round
Motor Orientation	Shaft Down	Drive End Bearing	Ball
Opp Drive End Bearing	Ball	Frame Material	Rolled Steel
Shaft Type	JM	Overall Length	14.95 in
Frame Length	9.00 in	Shaft Diameter	0.875 in
Shaft Extension	4.25 in	Assembly/Box Mounting	F1 ONLY
Outline Drawing	035547-900	Connection Drawing	005010.01

035547



MAXIMUM FACE RUNOUT TO BE .004 T.I.R.
 MAXIMUM PILOT ECCENTRICITY TO BE .004 T.I.R.

DASH NO.	"C"	"AG"	"AD"
850	14.45	10.20	8.13
900	14.95	10.70	8.63
950	15.45	11.20	9.13
1000	15.95	11.70	9.63
1050	16.45	12.20	10.13
1100	16.95	12.70	10.63
1150	17.45	13.20	11.13

Ø1.13 KNOCKOUTS
 (3) REQUIRED

NO.	REVISION	BY & DATE	CHK	ANG	FINISH
05	UPDATED PER ECR-0141965	MVG 10/09/17	SR		
04	UPDATED REGAL LOGO	SS 05/17/16	SS	X	±.1
03	"C", "AG" & "AD" DIM. UPDATED ON DASH #TABLE	PVR 11/21/12	JD	XX	±.03
02	KEY WAS .19 SQ x 1.75	JD 7/15/2011	JD	XXX	±.005
01	ADD UL DECAL PER ISAAC 11-1098	LST 3/9/11	LST	XXXX	±.0005

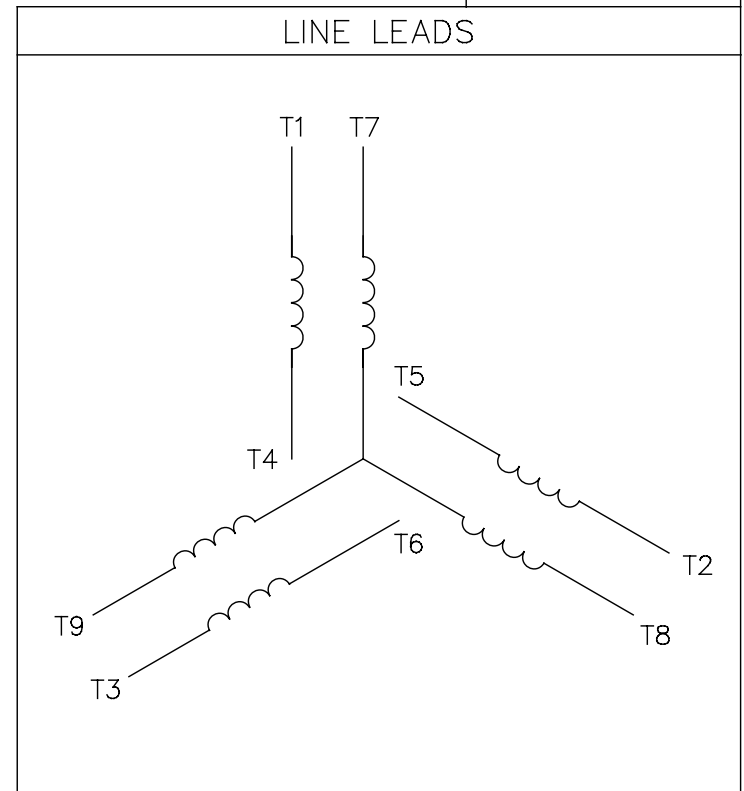
TOLERANCES UNLESS SPECIFIED	DEC.	INCHES	TITLE	SCALE	REF	FMF	PREV
±.1			OUTLINE- 180JM FRAME	1=2	035486	184TIDW4135	
±.005			DRIP PROOF- "C" FACE- JM PUMP				
±.0005							
±1/2"							
	RFP		CAD FILE	035547	SIZE	DRAWING NO.	REV.
	DIST				B	035547	05



THIS DRAWING IN DESIGN AND DETAIL IS OUR PROPERTY AND MUST NOT BE USED EXCEPT IN CONNECTION WITH OUR WORK. ALL RIGHTS OF DESIGN AND INVENTION ARE RESERVED. THIS IS AN ELECTRONICALLY GENERATED DOCUMENT - DO NOT SCALE THIS PRINT

005010-01

VIEW FROM OUTSIDE OF MOTOR AT SWITCH END.



VOLTAGE	L1	L2	L3	JOIN & INSULATE
HIGH	T1	T2	T3	(T4,T7) (T5,T8) (T6,T9)
LOW	T1,T7	T2,T8	T3,T9	T4,T5,T6

				TOLERANCES UNLESS SPECIFIED		REGAL ™ Regal Beloit America, Inc.		DRAWN RDW 04/12/02			
				DEC.	INCHES			CHK			
				.X	±.1			APPD			
				.XX	±.01	TITLE EXTERNAL WIRING DIAGRAM 3 PHASE W/O PROTECTOR		SCALE 1=1			
				.XXX	±.005			REF FIG.2-51			
A	UPDATED TO REGAL LOGO	SAJ 06/26/15	AJY	.XXXX	±.0005	MAT'L DECAL - 004014		FMF			
NO.	REVISION	BY & DATE	CHK	ANG	±1/2"	FINISH		PREV			
THIS DRAWING IN DESIGN AND DETAIL IS OUR PROPERTY AND MUST NOT BE USED EXCEPT IN CONNECTION WITH OUR WORK ALL RIGHTS OF DESIGN AND INVENTION ARE RESERVED THIS IS AN ELECTRONICALLY GENERATED DOCUMENT - DO NOT SCALE THIS PRINT				RFP	04/12/02	CAD FILE		00501001	SIZE	DRAWING NO.	REV.
				DIST		BRF-NLV		A	005010-01	A	

CERTIFICATION DATA SHEET

Model#: 182TTDW16021 AA
CONN. DIAGRAM: 005010.01
OUTLINE: 035547-900

WINDING#: T82117 R1 3
ASSEMBLY: F1 ONLY

TYPICAL MOTOR PERFORMANCE DATA

HP	KW	SYNC. RPM	F.L. RPM	FRAME	ENCLOSURE	KVA CODE	DESIGN
5&5	3.7&3.7	3600	3500&2865	182JMV	DP	J	B

PH	Hz	VOLTS	FL AMPS	START TYPE	DUTY	INSL	S.F	AMB°C	ELEVATION
3	60/50	230/460#190/ 380	12.4/6.2&15.2/ 7.6	ACROSS THE LINE	CONTINUOU S	F4	1.15/1.15	40	3300

FULL LOAD EFF: 86.5&83	3/4 LOAD EFF: 86.5	1/2 LOAD EFF: 84.6	GTD. EFF	ELEC. TYPE	NO LOAD AMPS
FULL LOAD PF: 86&88	3/4 LOAD PF: 82	1/2 LOAD PF: 73	83.8	SQ CAGE IND RUN	5 / 2.5

F.L. TORQUE	LOCKED ROTOR AMPS	L.R. TORQUE	B.D. TORQUE	F.L. RISE°C
7.5 LB-FT	91 / 45.5	16.1 LB-FT 215	25 LB-FT 333	30

SOUND PRESSURE @ 3 FT.	SOUND POWER	ROTOR WK^2	MAX. WK^2	SAFE STALL TIME	STARTS /HOUR	APPROX. MOTOR WGT
71 dBA	81 dBA	0.18 LB-FT^2	7 LB-FT^2	15 SEC.	2	64 LBS.

***** SUPPLEMENTAL INFORMATION *****

DE BRACKET TYPE	ODE BRACKET TYPE	MOUNT TYPE	ORIENTATION	SEVERE DUTY	HAZARDOUS LOCATION	DRIP COVER	SCREENS	PAINT
C-FACE	STANDARD	ROUND	SHAFT DOWN	FALSE	NONE	TRUE	NONE	BLUE (ENAMEL)

BEARINGS		GREASE	SHAFT TYPE	SPECIAL DE	SPECIAL ODE	SHAFT MATERIAL	FRAME MATERIAL
DE	OPE						
BALL	BALL	POLYREX EM	JM	NONE	NONE	AISI 1045 (C-240)	ROLLED STEEL
6207	6205						

THERMO-PROTECTORS				THERMISTORS	CONTROL	SPACE /n HEATERS
THERMOSTATS	PROTECTORS	WDG RTDs	BRG RTDs			
NONE	NOT	NONE	NONE	NONE	FALSE	NONE VOLTS

If Inverter equals NONE, contact factory for further information

INVERTER TORQUE: NONE
INV. HP SPEED RANGE: NONE
ENCODER: NONE
NONE NONE
NONE NONE PPR
BRAKE: NONE NONE
NONE P/N NONE
NONE NONE
NONE FT-LB NONE V NONE Hz

*
N
O
T
E
S
*

DATE: 06/27/2017 01:42:32 AM
 FORM 3531 REV.3 02/07/99
 ** Subject to change without notice.

Data Sheet

Date: 6/20/2017

Customer: _____

Attention: _____

Submitted by: FAREEDA DUDEKULA



182TTDW16021

Submittal

Data @ 460 V

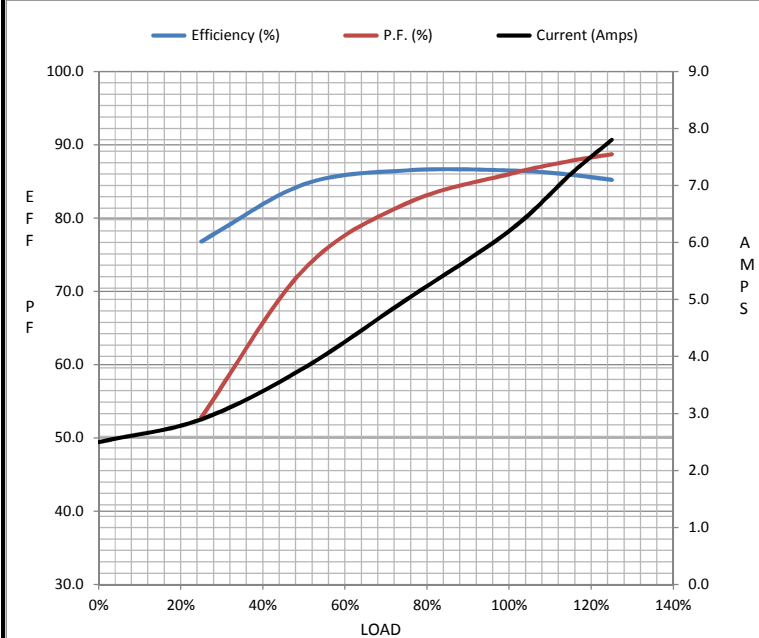
Motor Load Data

Load	0%	25%	50%	75%	100%	115%	125%	LR
Current (Amps)	2.50	2.90	3.8	5.0	6.2	7.2	7.8	45.5
Torque (ft-lb)	0.00	1.80	3.7	5.6	7.5	8.7	9.5	16.1
RPM	3600	3576	3552	3526	3500	3,478	3465	0
Efficiency (%)		76.8	84.6	86.5	86.5	85.9	85.2	
P.F. (%)	13.0	52.8	73.0	82.0	86.0	87.8	88.7	55.5

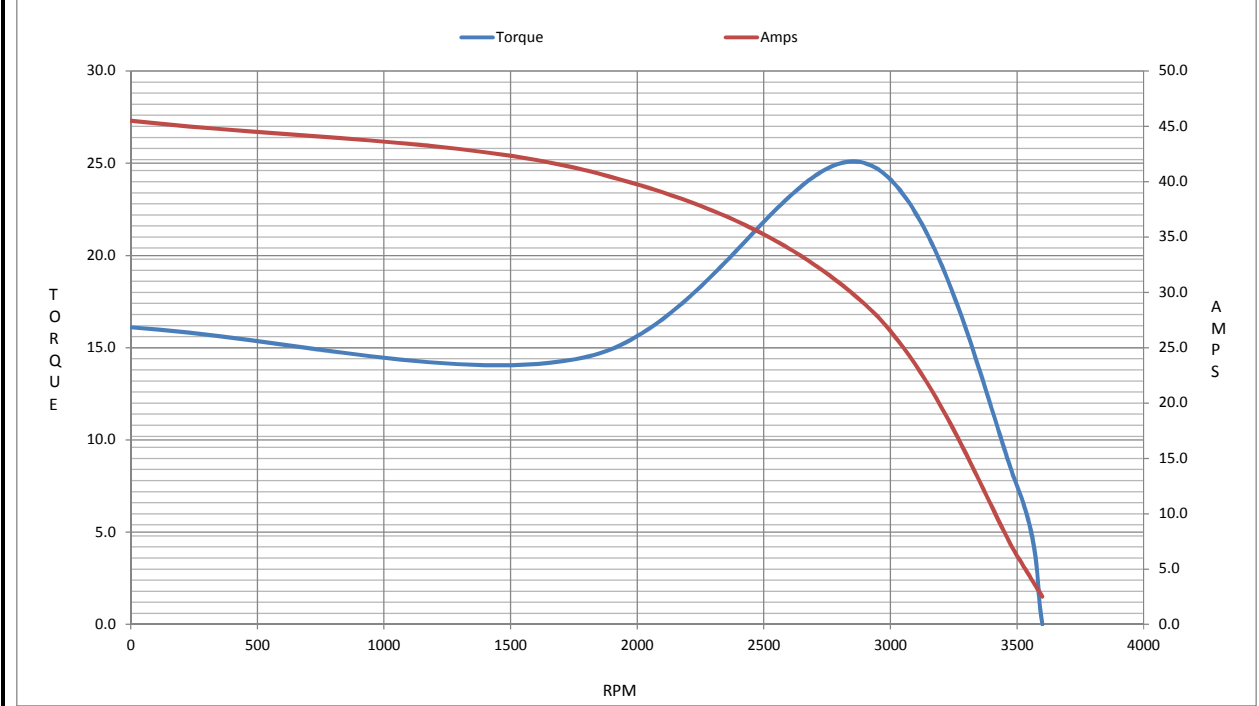
Motor Speed Data

	LR	Pull-Up	BD	Rated	Idle
Speed (RPM)	0	1800	2900	3500	3600
Current (Amps)	45.5	41.0	28.9	6.2	2.50
Torque (ft-lb)	16.1	14.5	25.0	7.5	0.00

Information Block				
HP	5.0			
Sync. RPM	3600			
Frame	182			
Enclosure	DP			
Construction	TDW			
Voltage	30/460#190/381V			
Frequency	60 Hz			
Design	B			
LR Code letter	J			
Service Factor	1.15			
Temp Rise @ FL	30 ° C			
Duty	CONT			
Ambient	40 ° C			
Elevation	1,000 feet			
Rotor/Shaft wk ²	0.18 Lb-Ft ²			
Ref Wdg	T82117 R1			
Sound Pressure @ 1M	71 dBA			
VFD Rating	NONE			
Outline Dwg	035547-900			
Conn. Diag	005010.01			
Additional Specifications:				
0				
0				
EQUIV CKT (OHMS / PHASE)				
R1	R2	X1	X2	Xm
1.3270	1.2190	3.0560	1.6670	97.8640



Speed -Torque Curve



EC Declaration of Conformity

The undersigned representing
the manufacturer:

Regal Beloit America
100 East Randolph St.
Wausau, WI 54401

and the authorized representative
established within the Community:

Marathon Electric UK
6F Thistleton Road Ind. Estate
Market Overton
Oakham, Rutland LE15 7PP UK

are committed to providing customers with products that comply with applicable regulations and international protocols to which they are subject, including the requirements of the European Parliament Directive on the Harmonization of the laws relating to electrical equipment designed for use within certain voltage limits (2014/35/EU).

Regal Beloit America declares that the following product(s), to which this declaration relates, are in conformity with the relevant sections of the EC standards listed below.

This statement supersedes any statements previously issued pertaining to the product(s) listed below and is subject to change without notice.

Model No : 182TTDW16021

(Model No. may contain prefix and/or suffix characters)

Catalog No : E153B

Rework No : N/A

Directives :

Low Voltage Directive 2014/35/EU

Harmonized Standards Used :

EN 60034-1: 2010 (IEC 60034-1: 2010)

EN 60034-5: 2001/A1:2007 (IEC 60034-5: 2000/A1:2006)

Authorized Representative:



Michael A. Logsdon
Vice President, Technology

Authorized Representative in the Community:



Julian Clark
Marketing Engineer

Created on 09/01/2022

CE 22