

PRODUCT INFORMATION PACKET

Model No: 182TTDW16019

Catalog No: C104C

XRI® General Purpose General Purpose Motor, 5 & 3 HP, 3 Ph, 60 & 50 Hz, 230/460 & 190/380 V,
3600 & 3000 RPM, 182TC Frame, DP



Regal and Marathon are trademarks of Regal Rexnord Corporation or one of its affiliated companies.

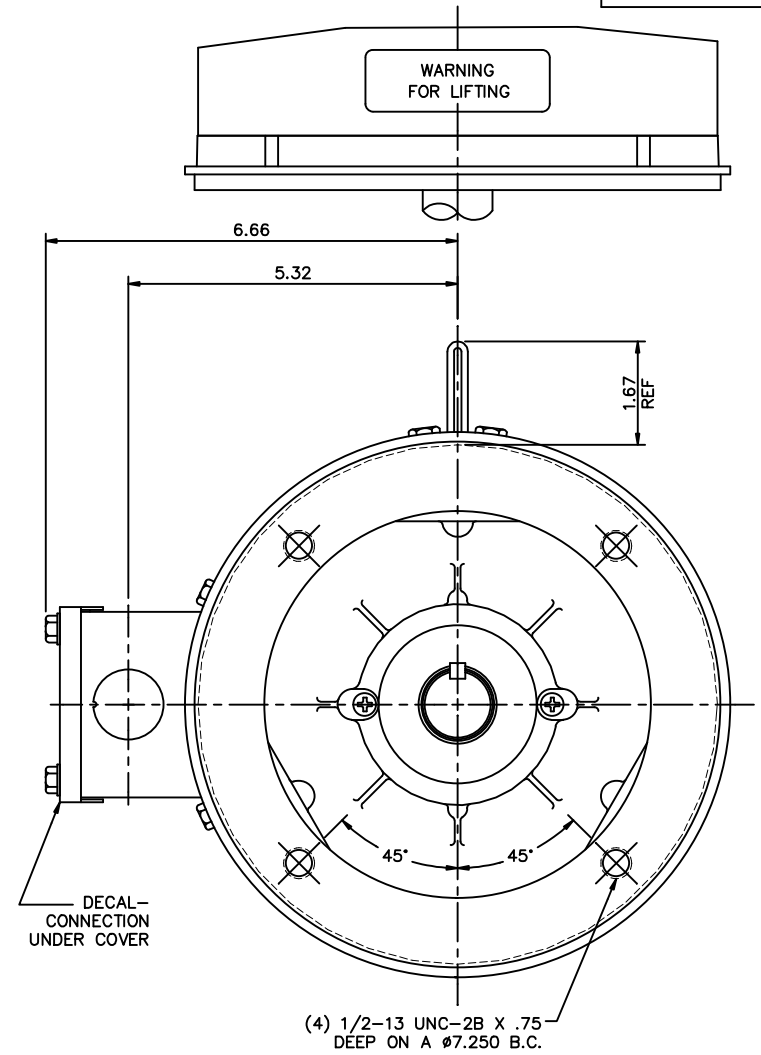
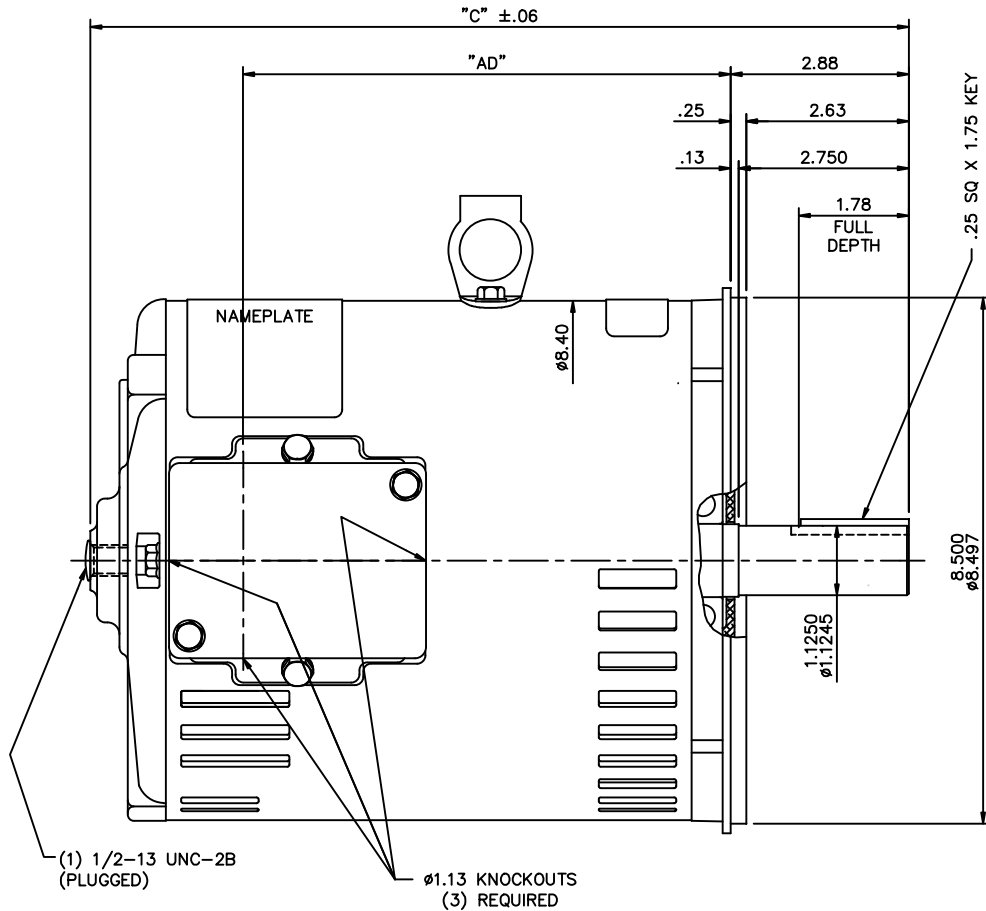
©2023 Regal Rexnord Corporation, All Rights Reserved. MC017097E

Nameplate Specifications

Phase	3	Output HP	5 & 3 Hp
Output KW	3.7 & 2.2 kW	Voltage	230/460 & 190/380 V
Speed	3500 & 2925 rpm	Service Factor	1.15 & 1.15
Frame	182TC	Enclosure	Drip Proof
Thermal Protection	No Protection	Efficiency	86.5 & 85.5 %
Ambient Temperature	40 °C	Frequency	60 & 50 Hz
Current	12.4/6.2 & 9.8/4.9 A	Power Factor	86
Duty	Continuous	Insulation Class	F
Design Code	B	KVA Code	J
Drive End Bearing Size	6206	Opp Drive End Bearing Size	6205
UL	Recognized	CSA	Y
CE	Y	IP Code	12
Number of Speeds	1		

Technical Specifications

Electrical Type	Squirrel Cage Induction Run	Starting Method	Across The Line
Poles	2	Rotation	Reversible
Resistance Main	0 Ohms	Mounting	Round
Motor Orientation	Horizontal	Drive End Bearing	Ball
Opp Drive End Bearing	Ball	Frame Material	Rolled Steel
Shaft Type	T	Overall Length	13.73 in
Frame Length	9.00 in	Shaft Diameter	1.125 in
Shaft Extension	2.88 in	Assembly/Box Mounting	F1 ONLY
Connection Drawing	005010.01ME	Outline Drawing	035574-900



GASKETS THROUGHOUT

MAXIMUM FACE RUNOUT TO BE .004 T.I.R.
 MAXIMUM PILOT ECCENTRICITY TO BE .004 T.I.R.
 PERMISSIBLE SHAFT RUNOUT TO BE .002 T.I.R.

DASH NO.	"C"	"AD"
850	13.23	7.88
900	13.73	8.38
950	14.23	8.88
1000	14.73	9.38
1050	15.23	9.88
1100	15.73	10.38
1150	16.23	10.88

NO.	REVISION	BY & DATE	CHK	ANG	±1/2"	TOLERANCES UNLESS SPECIFIED	
						DEC.	INCHES
						.X	±.1
						.XX	±.03
						.XXX	±.005
						.XXXX	±.0005
			RFP				
			DIST	NLV			

THIS DRAWING IN DESIGN AND DETAIL IS OUR PROPERTY AND MUST NOT BE USED EXCEPT IN CONNECTION WITH OUR WORK ALL RIGHTS OF DESIGN AND INVENTION ARE RESERVED
 THIS IS AN ELECTRONICALLY GENERATED DOCUMENT - DO NOT SCALE THIS PRINT

		DRAWN KVN 09/13/2007	
		CHK	RDW
TITLE		SCALE	1=2
OUTLINE - 180T FRAME		REF	035478
DRIP PROOF - "C" FACE		FMF	182TDDW8204
MATERIAL		PREV	
CAD FILE	035574	SIZE	DRAWING NO.
		B	035574
			REV.

VIEW FROM OUTSIDE OF MOTOR AT SWITCH END.



VOLTAGE	L1	L2	L3	JOIN & INSULATE
HIGH	T1	T2	T3	(T4,T7) (T5,T8) (T6,T9)
LOW	T1,T7	T2,T8	T3,T9	T4,T5,T6

TOLERANCES UNLESS SPECIFIED		DRAWN RDW 04/12/02		MARATHON ELECTRIC		CHK			
DEC.	INCHES			TITLE		APPD			
.X	±.1			EXTERNAL WIRING DIAGRAM		SCALE 1=1			
.XX	±.01			3 PHASE W/O PROTECTOR		REF FIG.2-51			
.XXX	±.005			MAT'L. DECAL - 004014		FMF			
.XXXX	±.0005			FINISH		PREV			
NO.	REVISION	BY & DATE	CHK	ANG	±1/2"	SIZE	DRAWING NO.	REV.	
			RFP	04/12/02	CAD FILE	00501001ME	A	005010-01ME	
			DIST						

THIS DRAWING IN DESIGN AND DETAIL IS OUR PROPERTY AND MUST NOT BE USED EXCEPT IN CONNECTION WITH OUR WORK ALL RIGHTS OF DESIGN AND INVENTION ARE RESERVED THIS IS AN ELECTRONICALLY GENERATED DOCUMENT - DO NOT SCALE THIS PRINT

Data Sheet

Date: 19-06-2017
 Customer: _____
 Attention: _____
 Submitted by: FAREEDA DUDEKULA



182TTDW16019

Submittal

Data @ 460 V

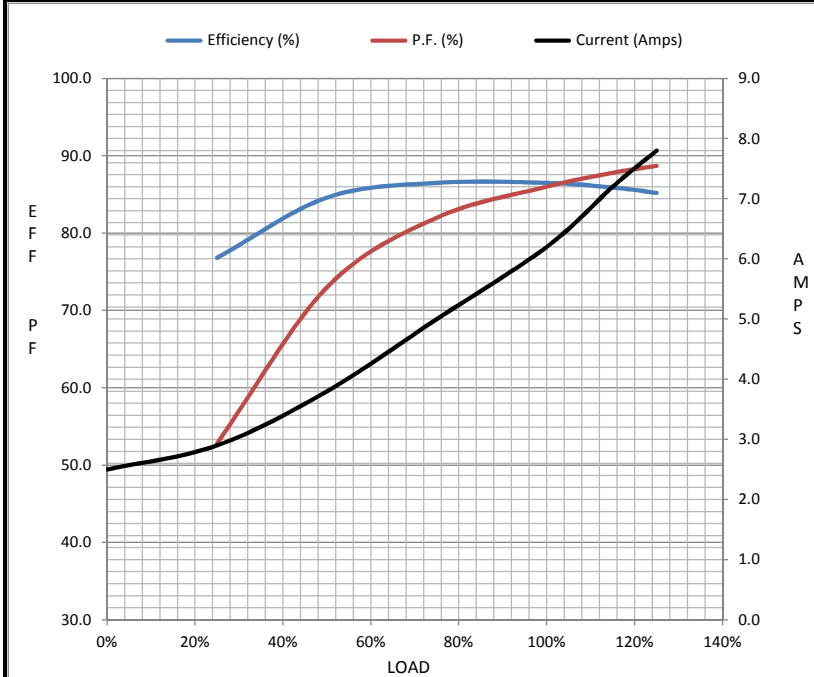
Motor Load Data

Load	0%	25%	50%	75%	100%	115%	125%	LR
Current (Amps)	2.50	2.90	3.8	5.0	6.2	7.2	7.8	45.5
Torque (ft-lb)	0.00	1.80	3.7	5.6	7.5	8.7	9.5	16.1
RPM	3600	3576	3552	3526	3500	3,478	3465	0
Efficiency (%)		76.8	84.6	86.5	86.5	85.9	85.2	
P.F. (%)	13.0	52.8	73.0	82.0	86.0	87.8	88.7	55.5

Motor Speed Data

	LR	Pull-Up	BD	Rated	Idle
Speed (RPM)	0	1800	2900	3500	3600
Current (Amps)	45.5	41.0	28.9	6.2	2.50
Torque (ft-lb)	16.1	14.5	25.0	7.5	0.00

Information Block				
HP	5.0			
Sync. RPM	3600			
Frame	182			
Enclosure	DP			
Construction	TDW			
Voltage	230/460#190/38(V)			
Frequency	60 Hz			
Design	B			
LR Code letter	J			
Service Factor	1.15			
Temp Rise @ FL	30 ° C			
Duty	CONT			
Ambient	40 ° C			
Elevation	1,000 feet			
Rotor/Shaft wk ²	0.18 Lb-Ft ²			
Ref Wdg	T82117 R1			
Sound Pressure @ 1M	71 dBA			
VFD Rating	NONE			
Outline Dwg	035574-900			
Conn. Diag	005010.01ME			
Additional Specifications:				
0				
365THFS8036				
EQUIV CKT (OHMS / PHASE)				
R1	R2	X1	X2	Xm
1.3270	1.2190	3.0560	1.6670	97.8640



Speed - Torque Curve

