

PRODUCT INFORMATION PACKET

marathon[®]
Motors

Model No: 182TTDR7325

Catalog No: M315

Other Purpose Motor, 5 & 3 HP, 3 Ph, 60 & 50 Hz, 208-230/460 & 190/380 V, 3600 & 3000 RPM,
182JM Frame, DP

Regal and Marathon are trademarks of Regal Rexnord Corporation or one of its affiliated companies.

©2023 Regal Rexnord Corporation, All Rights Reserved. MC017097E

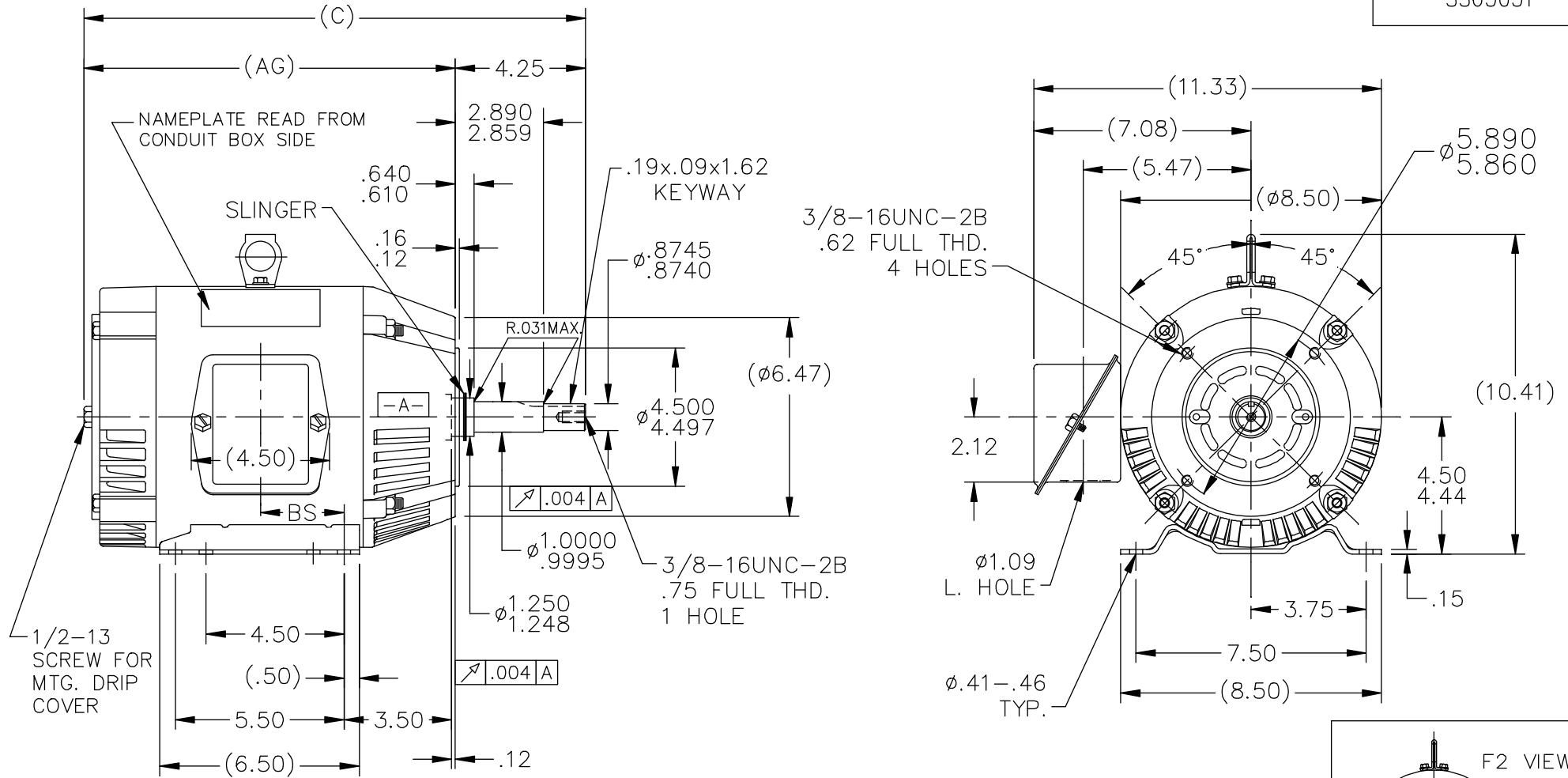
The logo for Regal Rexnord, featuring a stylized 'R' icon followed by the text 'RegalRexnord'.

Nameplate Specifications

Phase	3	Output HP	5 & 3 Hp
Output KW	3.7 & 2.2 kW	Voltage	208-230/460 & 190/380 V
Speed	3500 & 2925 rpm	Service Factor	1.15 & 1.15
Frame	182JM	Enclosure	Drip Proof
Thermal Protection	No Protection	Efficiency	84 & 82.5 %
Ambient Temperature	40 °C	Frequency	60 & 50 Hz
Current	14-13.4/6.7 & 10.9/5.45 A	Power Factor	82.4
Duty	Continuous	Insulation Class	B
Design Code	B	KVA Code	J
Drive End Bearing Size	6307	Opp Drive End Bearing Size	6205
UL	Recognized	CSA	Y
CE	Y	IP Code	22
Number of Speeds	1		

Technical Specifications

Electrical Type	Squirrel Cage Induction Run	Starting Method	Across The Line
Poles	2	Rotation	Reversible
Resistance Main	3.2 Ohms	Mounting	Rigid Base
Motor Orientation	Horizontal	Drive End Bearing	Ball
Opp Drive End Bearing	Ball	Frame Material	Rolled Steel
Shaft Type	JM	Overall Length	15.35 in
Frame Length	5.75 in	Shaft Diameter	0.875 in
Shaft Extension	4.28 in	Assembly/Box Mounting	F1 Only
Connection Drawing	A-EE7308	Outline Drawing	A-SS65051-575



DASH	FR.	C	AG	BS	MOUNTING
575	182JM	15.35	11.10	2.25	F1 OR F2
675	182/84JM	16.35	12.10	2.75	F1 OR F2
775	182/84JM	17.35	13.10	3.25	F1 ONLY

BOX CAN BE ROTATED IN 90° STEPS.
 BOX CAN BE MOUNTED ON OPPOSITE
 SIDE BY REMOVING BRACKETS AND
 TURNING FRAME 180°.

NO.	REVISION	BY & DATE	CHK	ANG	TOLERANCES UNLESS SPECIFIED	
					DEC.	INCHES
18	UPDATED DRAWING	RJW 04-20-2007				
17	-675 & 775 NOW 182/84JM FRAMES CN 31857	DRS 11-01-2002	ML	DEC.	INCHES	
16	ADDED FORMED LIFT LUG CN 34025	HLB 06-29-2001		.X	±.1	
15	ADDED MOUNTING TYPE CN 27451	DRS 04-29-1999		.XX	±.03	
14	REMOVED EYEBOLT	BLR 11-09-1995		.XXX	±.005	
13	ADDED NEW BASE CN 14442	RM 06-24-1994		.XXXX	±.0005	
					±7'30"	



TITLE OUTLINE
 180T FR. - BB - TS - DR.PR. - C'FACE
 MAT'L.
 FINISH

DRAWN	DJK 12-15-1992
CHK	ML 12-16-1992
APPD	GK 12-16-1992
SCALE	1=5
REF	
FMF	
PREV	

THIS DRAWING IN DESIGN AND DETAIL IS OUR PROPERTY AND MUST NOT BE USED EXCEPT
 IN CONNECTION WITH OUR WORK ALL RIGHTS OF DESIGN AND INVENTION ARE RESERVED
 THIS IS AN ELECTRONICALLY GENERATED DOCUMENT - DO NOT SCALE THIS PRINT

RFP
 DIST LB

CAD FILE ss65051

SIZE	DRAWING NO.	PAGE	OF	REV.
A	SS65051			18

EE7308

THREE PHASE
DUAL VOLTAGE MOTOR



VIEW OF TERMINAL END

REF.
WINDING DIAGRAM

T8Y, T2Y, T2BL, T4BX, T2EC, T2G
T6BZ, T2B, T6BL, T4AV, T6B, T4B

OPTIONAL CORD
CONNECTION

L1 — WHITE
L2 — RED
L3 — BLACK

NO.	REVISION	BY & DATE	CHK	ANG	TOLERANCES UNLESS SPECIFIED		FINISH	DRAWN RM 11/20/1990				
					DEC.	INCHES						
5	CHG TO REGAL LOGO	SL 09/10/2015	AB					CHK ML 11/21/1990				
4	REVISED IEC NOTATIONS	MSG 11/15/2011	CMN	.X	±.1			APPD SAS 04/24/2003				
3	ADDED IEC NOTATIONS... (U1), (V1) ETC. MU95194	MSG 5/10/2010	MJS	.XX	±.02		TITLE CONNECTION DIAGRAM	SCALE 1=1				
2	ADDED THE OPTIONAL CORD CONNECTION MU46318	RDH 04/24/2003	DRS	.XXX	±.005		3Ø - DUAL VOLTAGE MOTOR	REF				
1	REDRAWN	RM 11/20/1990		.XXXX	±.0005		MAT'L.	FMF				
					±7'30"			PREV				
THIS DRAWING IN DESIGN AND DETAIL IS OUR PROPERTY AND MUST NOT BE USED EXCEPT IN CONNECTION WITH OUR WORK ALL RIGHTS OF DESIGN AND INVENTION ARE RESERVED THIS IS AN ELECTRONICALLY GENERATED DOCUMENT - DO NOT SCALE THIS PRINT							RFP	CAD FILE ee7308	SIZE A	DRAWING NO. EE7308	PAGE OF 5	REV. 5
							DIST WP					

