

PRODUCT INFORMATION PACKET

marathon[®]
Motors

Model No: 182TTDR14027

Catalog No: M801A

Vertical Pump Motor, 3 & 2 HP, 3 Ph, 60 & 50 Hz, 230/460 & 190/380 V, 1800 & 1500 RPM,
182HPV Frame, DP

Regal and Marathon are trademarks of Regal Rexnord Corporation or one of its affiliated companies.

©2023 Regal Rexnord Corporation, All Rights Reserved. MC017097E

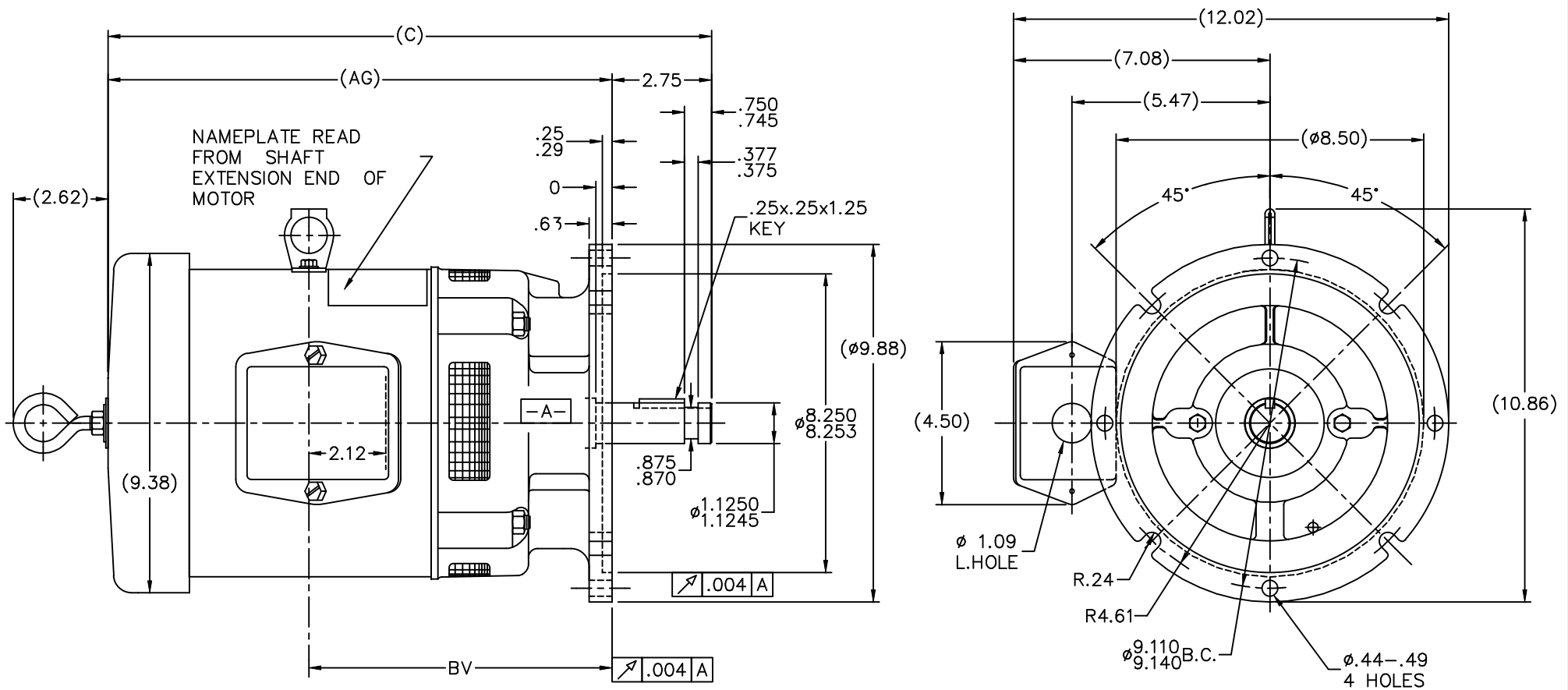
RegalRexnord

Nameplate Specifications

Phase	3	Output HP	3 & 2 Hp
Output KW	2.2 & 1.5 kW	Voltage	230/460 & 190/380 V
Speed	1765 & 1465 rpm	Service Factor	1.15 & 1.0
Frame	182HPV	Enclosure	Drip Proof
Thermal Protection	No Protection	Efficiency	86.5 & 85.5 %
Ambient Temperature	40 °C	Frequency	60 & 50 Hz
Current	9.3/4.65 & 8.2/4.1 A	Power Factor	71
Duty	Continuous	Insulation Class	B
Design Code	B	KVA Code	K
Drive End Bearing Size	207	Opp Drive End Bearing Size	205
UL	Recognized	CSA	Y
CE	Y	IP Code	22
Number of Speeds	1		

Technical Specifications

Electrical Type	Squirrel Cage Induction Run	Starting Method	Across The Line
Poles	4	Rotation	Reversible
Resistance Main	1.02 Ohms	Mounting	Round
Motor Orientation	Shaft Down	Drive End Bearing	Ball
Opp Drive End Bearing	Ball	Frame Material	Rolled Steel
Shaft Type	HP	Overall Length	17.18 in
Frame Length	7.25 in	Shaft Diameter	1.125 in
Shaft Extension	2.75 in	Assembly/Box Mounting	F1/F2 CAPABLE
Outline Drawing	B-SS63891-725	Connection Drawing	A-EE7308



BOX CAN BE ROTATED IN 90° STEPS.

DASH	FR.	C	AG	BV
575	182HP	15.68	12.93	7.88
675	182/4HP	16.68	13.93	8.38
725	182/4HP	17.18	14.43	8.63
775	182/4HP	17.68	14.93	8.88
825	182/4HP	18.18	15.43	9.13
875	182/4HP	18.68	15.93	9.38

10-03-2001
10-03-2001

NO.	REVISION	BY & DATE	CHK	ANG	FINISH	PREV
14	UPDATED DRAWING	RJW 04-19-2007				
13	REDRAWN IN AUTOCAD	TAT 07-22-2004	ML	DEC.	INCHES	
12	UPDATED REAR BRACKET	HLB 12-05-2001	ML	.X	±.1	
11	ADDED LIFTING LUG	MU38434 DAH 08-20-2001		.XX	±.03	
10	REV. -675, -775, -875 FR.	CN 27400-320 CAE 10-13-1999		.XXX	±.005	
9	REVISED EYEBOLT LOCATION	MU25204 CAE 06-02-1999		.XXXX	±.0005	
THIS DRAWING IN DESIGN AND DETAIL IS OUR PROPERTY AND MUST NOT BE USED EXCEPT IN CONNECTION WITH OUR WORK ALL RIGHTS OF DESIGN AND INVENTION ARE RESERVED THIS IS AN ELECTRONICALLY GENERATED DOCUMENT - DO NOT SCALE THIS PRINT						
CAD FILE ss63891						SIZE B
DIST LB						DRAWING NO. SS63891
DRAWN LZ 07-05-1994						PAGE 14
CHK ML 07-06-1994						APPD GK 07-06-1994
SCALE 3=8						REF
TITLE OUTLINE						
180HP FR. - BB - TS - DR.PR. - 'P' BASE						
MATL						



EE7308

THREE PHASE
DUAL VOLTAGE MOTOR



VIEW OF TERMINAL END

REF.
WINDING DIAGRAM

T8Y, T2Y, T2BL, T4BX, T2EC, T2G
T6BZ, T2B, T6BL, T4AV, T6B, T4B

OPTIONAL CORD
CONNECTION

L1 — WHITE
L2 — RED
L3 — BLACK

NO.	REVISION	BY & DATE	CHK	ANG	TOLERANCES UNLESS SPECIFIED		FINISH	DRAWN RM 11/20/1990				
					DEC.	INCHES						
5	CHG TO REGAL LOGO	SL 09/10/2015	AB					CHK ML 11/21/1990				
4	REVISED IEC NOTATIONS	MSG 11/15/2011	CMN	.X	±.1			APPD SAS 04/24/2003				
3	ADDED IEC NOTATIONS... (U1), (V1) ETC. MU95194	MSG 5/10/2010	MJS	.XX	±.02		TITLE CONNECTION DIAGRAM	SCALE 1=1				
2	ADDED THE OPTIONAL CORD CONNECTION MU46318	RDH 04/24/2003	DRS	.XXX	±.005		3Ø - DUAL VOLTAGE MOTOR	REF				
1	REDRAWN	RM 11/20/1990		.XXXX	±.0005		MAT'L.	FMF				
					±7'30"			PREV				
THIS DRAWING IN DESIGN AND DETAIL IS OUR PROPERTY AND MUST NOT BE USED EXCEPT IN CONNECTION WITH OUR WORK ALL RIGHTS OF DESIGN AND INVENTION ARE RESERVED THIS IS AN ELECTRONICALLY GENERATED DOCUMENT - DO NOT SCALE THIS PRINT							RFP	CAD FILE ee7308	SIZE A	DRAWING NO. EE7308	PAGE OF 5	REV. 5
							DIST WP					

