

PRODUCT INFORMATION PACKET

Model No: 182TTDBD7413

Catalog No: Y453B

Cooling Tower Motor, 2 & 0.90 HP, 3 Ph, 60 Hz, 200-230 & 200-230 V, 1800 & 1800 RPM, 182T Frame, DP



Regal and Marathon are trademarks of Regal Rexnord Corporation or one of its affiliated companies.
©2024 Regal Rexnord Corporation, All Rights Reserved. MC017097E



Nameplate Specifications

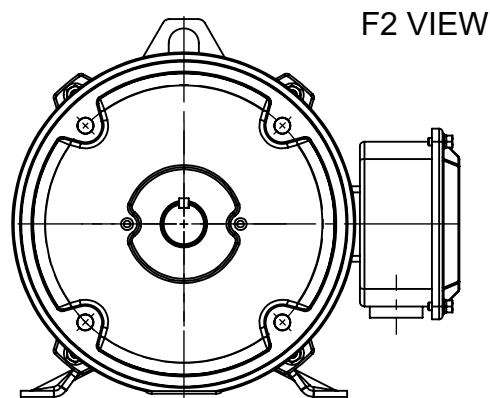
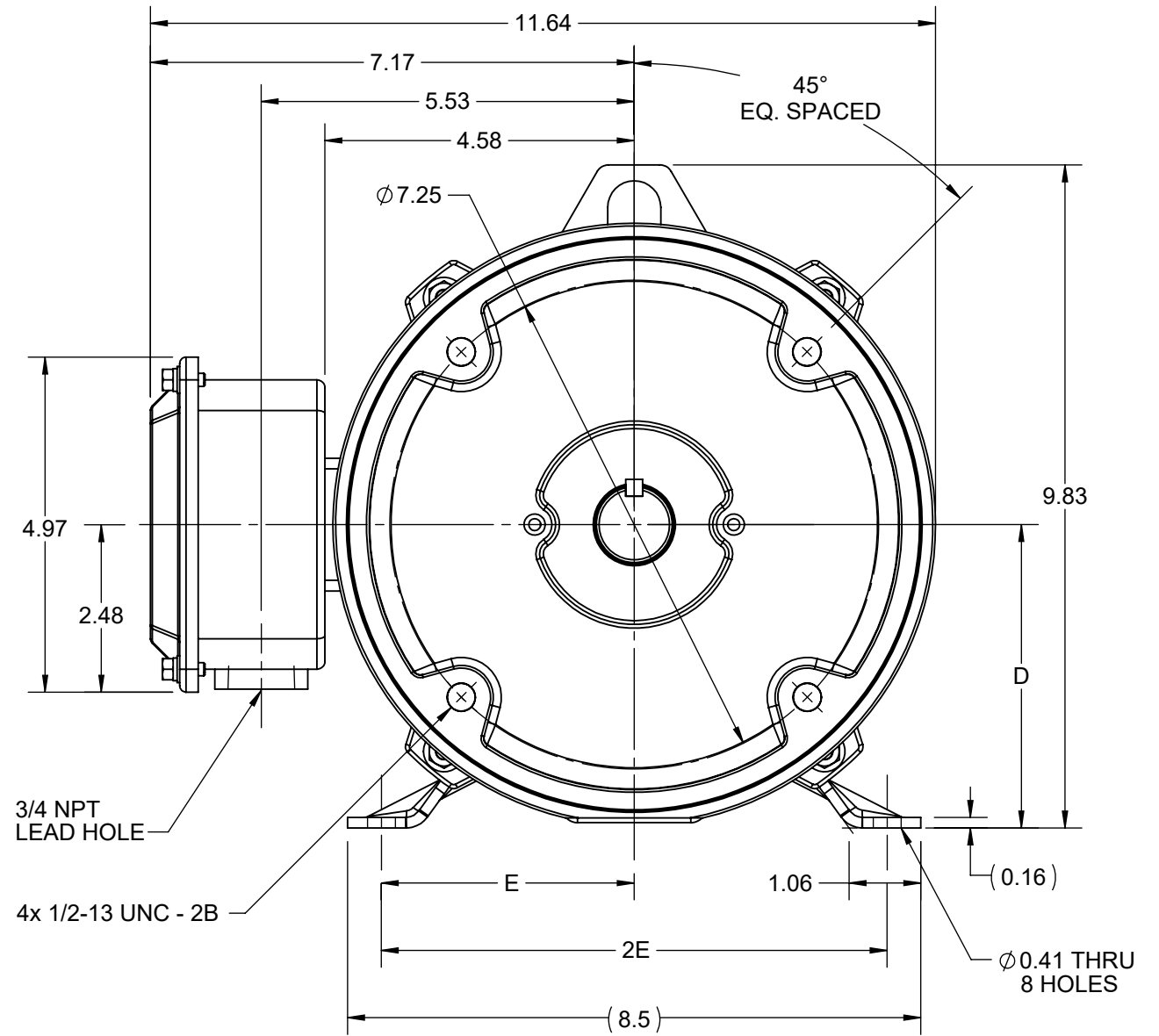
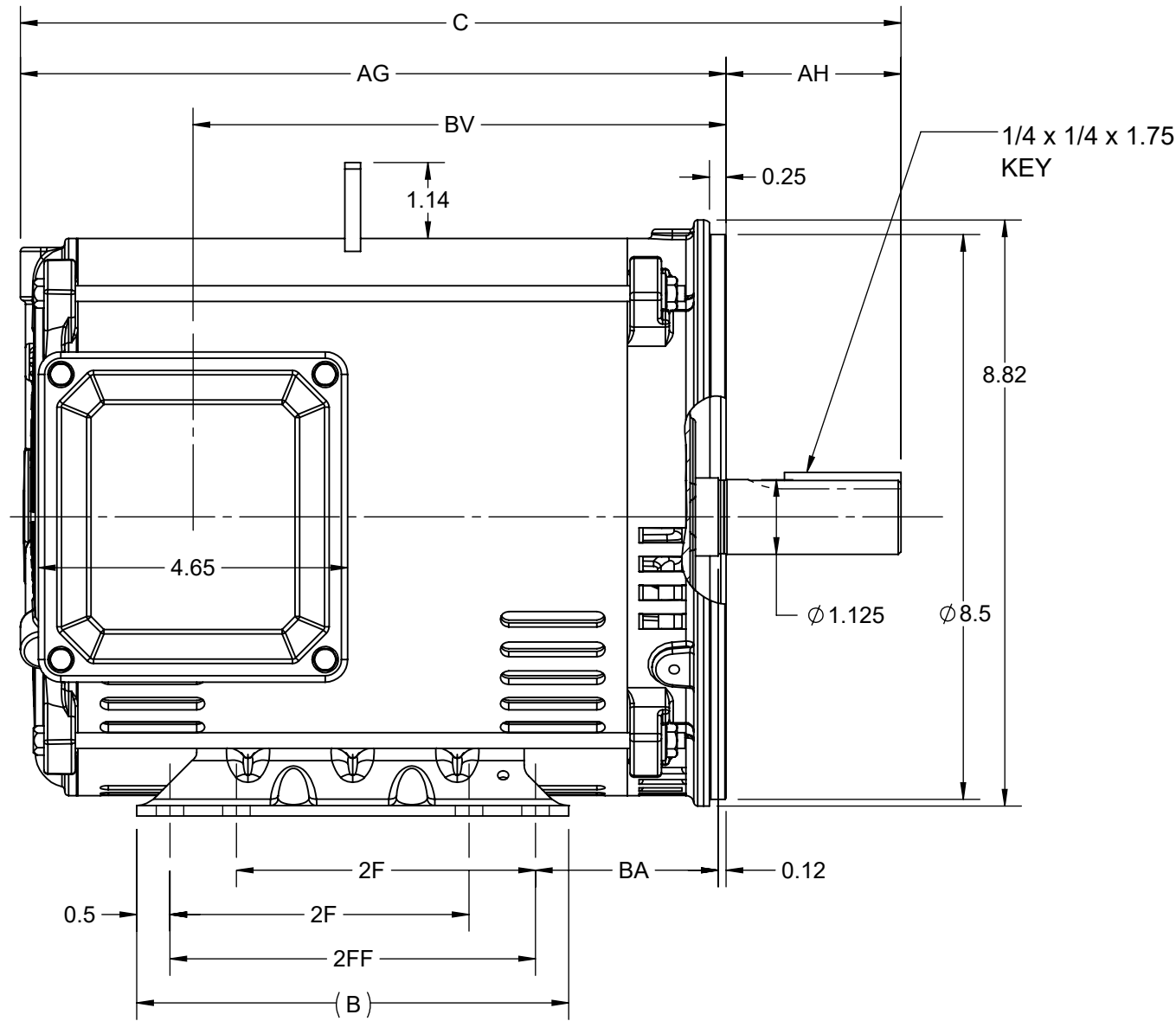
Phase	3	Output HP	2 & 0.90 Hp
Output KW	1.5 & 0.67 kW	Voltage	200-230 & 200-230 V
Speed	1775 & 1182 rpm	Service Factor	1.15 & 1.15
Frame	182T	Enclosure	Drip Proof
Thermal Protection	No Protection	Efficiency	80 & 74 %
Ambient Temperature	40 °C	Frequency	60 Hz
Current	7-6.4 & 4-3.85 A	Power Factor	66
Duty	Continuous	Insulation Class	F
Design Code	2VT	KVA Code	M
Drive End Bearing Size	6206	Opp Drive End Bearing Size	6203
UL	Recognized	CSA	Y
CE	Y	IP Code	22
Number of Speeds	2		

Technical Specifications

Electrical Type	Squirrel Cage Induction Run	Starting Method	Across The Line
Poles	4//6	Rotation	Reversible
Resistance Main	20.4592 Ohms	Mounting	Rigid Base
Motor Orientation	Horizontal	Drive End Bearing	Ball
Opp Drive End Bearing	Ball	Frame Material	Rolled Steel
Shaft Type	T	Shaft Diameter	1.125 in
Assembly/Box Mounting	F1/F2 CAPABLE		
Outline Drawing	SS600198-100	Connection Drawing	EE7317

This is an uncontrolled document once printed or downloaded and is subject to change without notice. Date Created:10/18/2024

DASH NO.	4				3				2				1
	B	C	D	E	2E	2F	2FF	AG	AH	BA	BV	MOUNTING	FRAME
100	6.50	12.25	4.50	3.75	7.50	4.50	5.50	9.63	2.62	2.75	7.02	F1 OR F2	182TC
200		13.25						10.63			8.02		184TC

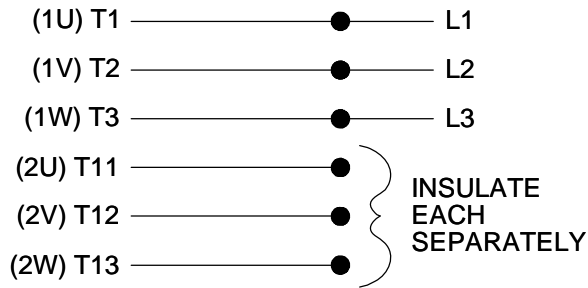


DRAWING REVISION A	REVISION BY RAM	REV DATE/© DATE 22/08/2022
REQUEST NUMBER CR-0010970	APPROVED BY SBD	DATE 22/08/2022
REQUEST NUMBER DESCRIPTION NEW DRAWING RELEASE		
<small>COPYRIGHT (PER REVISION DATE) REGAL BELOIT AMERICA, INC. ALL RIGHTS RESERVED. PROPRIETARY AND CONFIDENTIAL INFORMATION - THIS DOCUMENT IS THE PROPERTY OF REGAL BELOIT AMERICA, INC. ("OWNER") AND CONTAINS OWNER'S PROPRIETARY INFORMATION. ANY PERSON, CORPORATION OR OTHER FIRM RECEIVING IT IS DEEMED, BY RECEIVING IT, TO AGREE THAT IT, AND/OR ANY PART OF IT, SHALL NOT BE DISCLOSED TO ANY PERSON, CORPORATION OR OTHER ENTITY, DUPLICATED, AND/OR USED, EXCEPT AS EXPRESSLY APPROVED IN WRITING IN ADVANCE BY OWNER. THIS DOCUMENT SHALL BE RETURNED TO OWNER UPON REQUEST. IT MAY BE SUBJECT TO CERTAIN RESTRICTIONS UNDER APPLICABLE EXPORT CONTROL LAWS AND REGULATIONS.</small>		

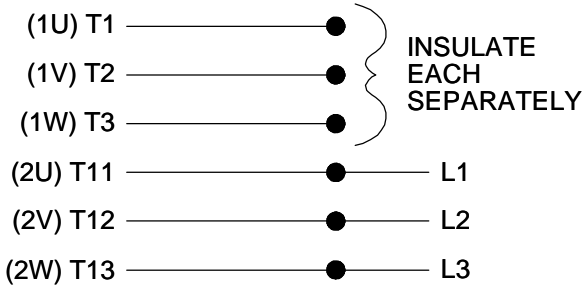
PRIMARY DIMENSIONS ARE INCH
mm DIMENSIONS IN [BRACKETS]
ARE FOR REFERENCE ONLY

DRAWN BY RAM	Regal Rexnord Regal Beloit America, Inc.	
DATE 22/08/2022	DESCRIPTION OUTLINE 182/184TC FR NEMA ODP RS C-FACE KIT	
APPROVED BY SBD	MATERIAL	PROCESS/FINISH
DATE 22/08/2022	REFERENCE SS600198	
THIRD ANGLE PROJECTION	SIZE B	DRAWING NUMBER SS600198A
		SHEET 1 OF 1

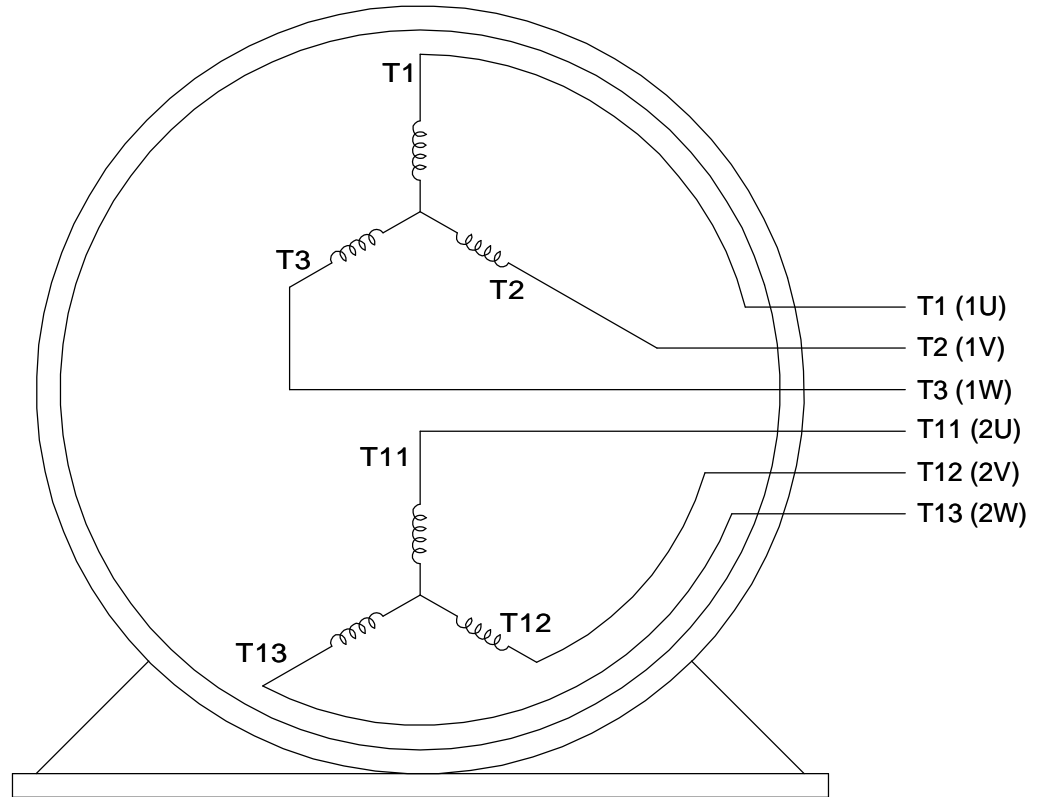
LOW SPEED



HIGHSPEED



**THREE PHASE, SINGLE VOLT, 6 LEAD
2 SPEED REVERSIBLE MOTOR**



VIEW OF TERMINAL END

TO REVERSE ROTATION ON
EITHER SPEED: INTERCHANGE
ANY 2 LEADS ON THE
WINDING IN USE.

DRAWING REVISION C	REVISION BY JJB	DATE 10-25-2017
ECO ECO-0132917	APPROVED BY TLB	DATE 10-30-2017

ECO DESCRIPTION
REVISED PER ECO & UPDATED TO STANDARDS
COPYRIGHT REGAL BELOIT AMERICA, INC. ALL RIGHTS RESERVED.
 PROPRIETARY AND CONFIDENTIAL INFORMATION - THIS DOCUMENT IS THE PROPERTY OF
 REGAL BELOIT AMERICA, INC. ("OWNER") AND CONTAINS OWNER'S PROPRIETARY
 INFORMATION. ANY PERSON, CORPORATION OR OTHER FIRM RECEIVING IT IS DEEMED,
 BY RECEIVING IT, TO AGREE THAT IT, AND/OR ANY PART OF IT, SHALL NOT BE DISCLOSED
 TO ANY PERSON, CORPORATION OR OTHER ENTITY, DUPLICATED, AND/OR USED, EXCEPT
 AS EXPRESSLY APPROVED IN WRITING IN ADVANCE BY OWNER. THIS DOCUMENT SHALL
 BE RETURNED TO OWNER UPON REQUEST. IT MAY BE SUBJECT TO CERTAIN
 RESTRICTIONS UNDER APPLICABLE EXPORT CONTROL LAWS AND REGULATIONS.

DRAWN BY LZ
DATE 01-05-1994
APPROVED BY GK
DATE 01-17-1994
REFERENCE
THIRD ANGLE PROJECTION

Regal Beloit America, Inc.	
DESCRIPTION CONN DIAGRAM-INTERNAL 3 PHASE - SINGLE - 2 SPEED REVERSIBLE	
MATERIAL	PROCESS/FINISH
SIZE A	DRAWING NUMBER EE7317
SHEET 1 OF 1	

Data Sheet

Date: 12/1/2021
 Customer: _____
 Attention: _____
 Submitted by: _____



182TTDBD7413

Submittal

Data @ 230 V

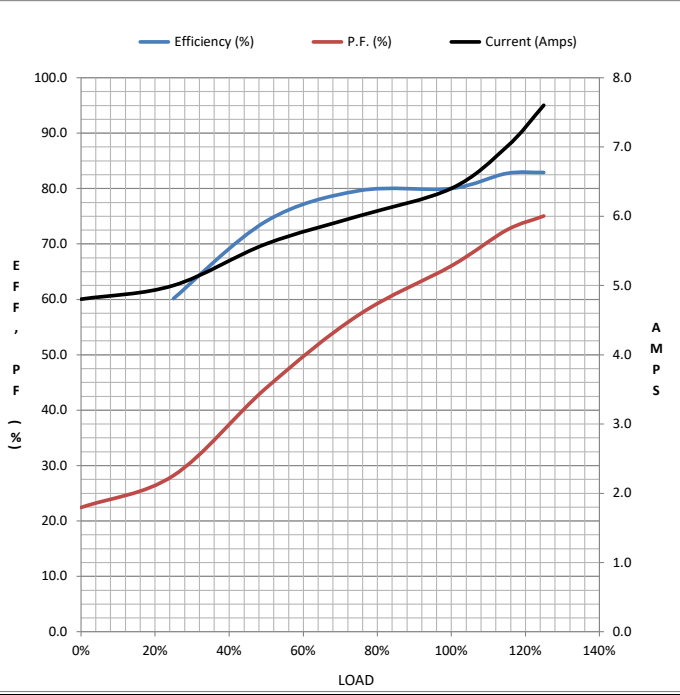
Motor Load Data

Load	0%	25%	50%	75%	100%	115%	125%	LR
Current (Amps)	4.8	5.0	5.6	6.0	6.4	7.0	7.6	54.0
Torque(ft-lb)	0.00	1.47	2.94	4.4	5.9	6.8	7.4	12.9
RPM	1800	1792	1788	1782	1775	1,772	1770	0
Efficiency (%)		60.1	74.1	79.6	80.0	82.7	82.9	
P.F. (%)	22.4	28.2	44.0	57.2	66.0	72.5	75.0	65

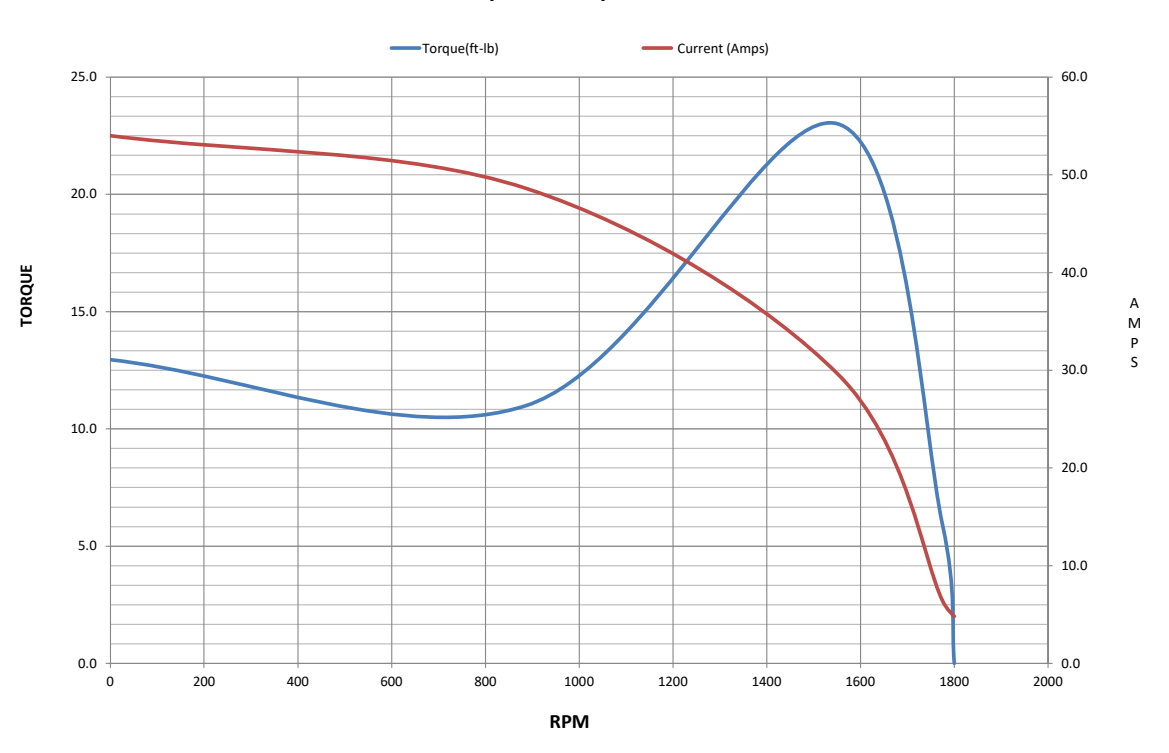
Motor Speed Data

	LR	Pull-Up	BD	Rated	Idle
Speed (RPM)	0	888	1552	1775	1800
Current (Amps)	54.0	48.6	29.6	6.4	4.8
Torque(ft-lb)	12.9	11.0	23.0	5.9	0.00

Information Block				
HP	2.00			
Sync. RPM	1800			
Frame	182T			
Enclosure	DP			
Construction	TDR			
Voltage	230 V			
Frequency	60 Hz			
Design	2VT			
LR Code letter	M			
Service Factor	1.15			
Temp Rise @ FL	70 °C			
Duty	CONT			
Ambient	40 °C			
Elevation	3,300 feet			
Rotor/Shaft wk ²	0.00 Lb-Ft ²			
Ref Wdg	HA3112(4-6)01 HS			
Sound Pressure @ 1M	0 dBA			
VFD Rating	NA			
Outline Dwg	SS600198-100			
Conn. Diag	EE7317			
Additional Specifications:				
CATALOG # Y453B				
HIGH SPEED PERFORMANCE				
NP VOLTAGE 200-230, AMPS 7-6.4				
EQUIV CKT (OHMS / PHASE)				
R1	R2	X1	X2	Xm
1.3189	0.3475	1.3154	1.2197	25.1872



Speed -Torque Curve



Data Sheet

Date: 12/1/2021
 Customer: _____
 Attention: _____
 Submitted by: _____



182TTDBD7413

Submittal

Data @ 230 V

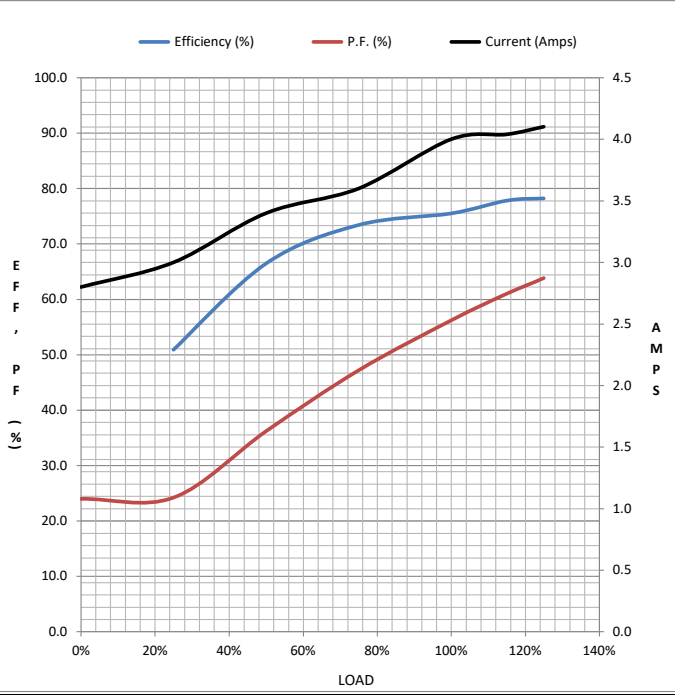
Motor Load Data

Load	0%	25%	50%	75%	100%	115%	125%	LR
Current (Amps)	2.80	3.0	3.4	3.6	4.0	4.0	4.1	21.0
Torque(ft-lb)	0.00	0.98	1.97	2.96	4.0	4.6	5.0	6.9
RPM	1200	1195	1192	1185	1182	1,180	1178	0
Efficiency (%)		50.9	66.5	73.4	75.5	77.8	78.2	
P.F. (%)	24.0	24.2	36.2	47.2	56.2	61.0	63.8	59

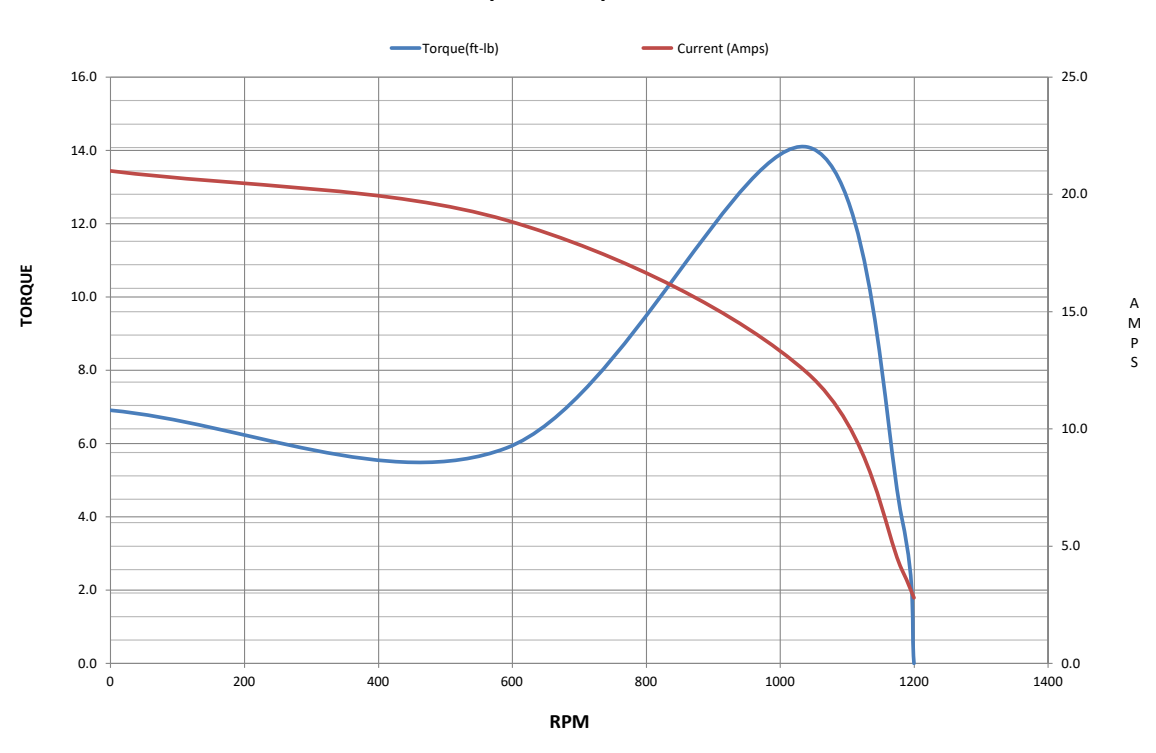
Motor Speed Data

	LR	Pull-Up	BD	Rated	Idle
Speed (RPM)	0	591	1040	1182	1200
Current (Amps)	21.0	18.9	12.4	4.0	2.80
Torque(ft-lb)	6.9	5.9	14.1	4.0	0.00

Information Block				
HP	0.89			
Sync. RPM	1200			
Frame	182T			
Enclosure	DP			
Construction	TDR			
Voltage	230 V			
Frequency	60 Hz			
Design	2VT			
LR Code letter	N			
Service Factor	1.15			
Temp Rise @ FL	0 °C			
Duty	CONT			
Ambient	40 °C			
Elevation	3,300 feet			
Rotor/Shaft wk ²	0.00 Lb-Ft ²			
Ref Wdg	HA3112(4-6)01 HS			
Sound Pressure @ 1M	0 dBA			
VFD Rating	NA			
Outline Dwg	SS600198-100			
Conn. Diag	EE7317			
Additional Specifications:				
CATALOG # Y453B				
LOW SPEED PERFORMANCE				
NP VOLTAGE 200-230, AMPS 4-3.85				
EQUIV CKT (OHMS / PHASE)				
R1	R2	X1	X2	Xm
3.0037	0.8764	2.5098	3.5535	37.6066



Speed - Torque Curve



EC Declaration of Conformity

The undersigned representing
the manufacturer:

Regal Beloit America
100 East Randolph St.
Wausau, WI 54401

and the authorized representative
established within the Community:

Marathon Electric UK
6F Thistleton Road Ind. Estate
Market Overton
Oakham, Rutland LE15 7PP UK

are committed to providing customers with products that comply with applicable regulations and international protocols to which they are subject, including the requirements of the European Parliament Directive on the Harmonization of the laws relating to electrical equipment designed for use within certain voltage limits (2014/35/EU).

Regal Beloit America declares that the following product(s), to which this declaration relates, are in conformity with the relevant sections of the EC standards listed below.

This statement supersedes any statements previously issued pertaining to the product(s) listed below and is subject to change without notice.

Model No : 182TTDBD7413

(Model No. may contain prefix and/or suffix characters)

Catalog No : 182TTDBD7413

Rework No : N/A

Directives :

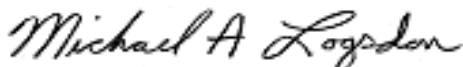
Low Voltage Directive 2014/35/EU

Harmonized Standards Used :

EN 60034-1: 2010 (IEC 60034-1: 2010)

EN 60034-5: 2001/A1:2007 (IEC 60034-5: 2000/A1:2006)

Authorized Representative:



Michael A. Logsdon
Vice President, Technology

Authorized Representative in the Community:



Julian Clark
Marketing Engineer

Created on 09/01/2022

CE 22