

# PRODUCT INFORMATION PACKET

Model No: 182TTDBD7412

Catalog No: Y484B

Multispeed Motor, 3 & 0.75 HP, 3 Ph, 60 Hz, 200-230 & 200-230 V, 1800 & 1800 RPM, 182T Frame, DP



Regal and Marathon are trademarks of Regal Rexnord Corporation or one of its affiliated companies.  
©2024 Regal Rexnord Corporation, All Rights Reserved. MC017097E

### Nameplate Specifications

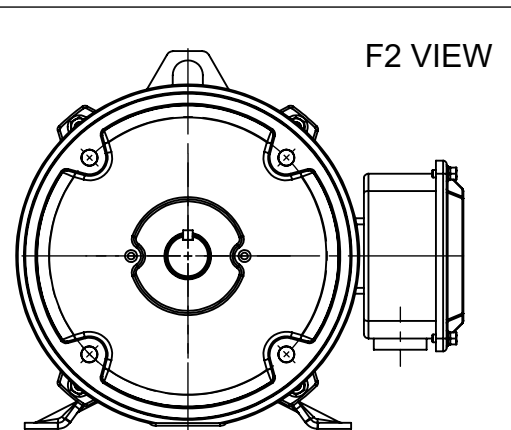
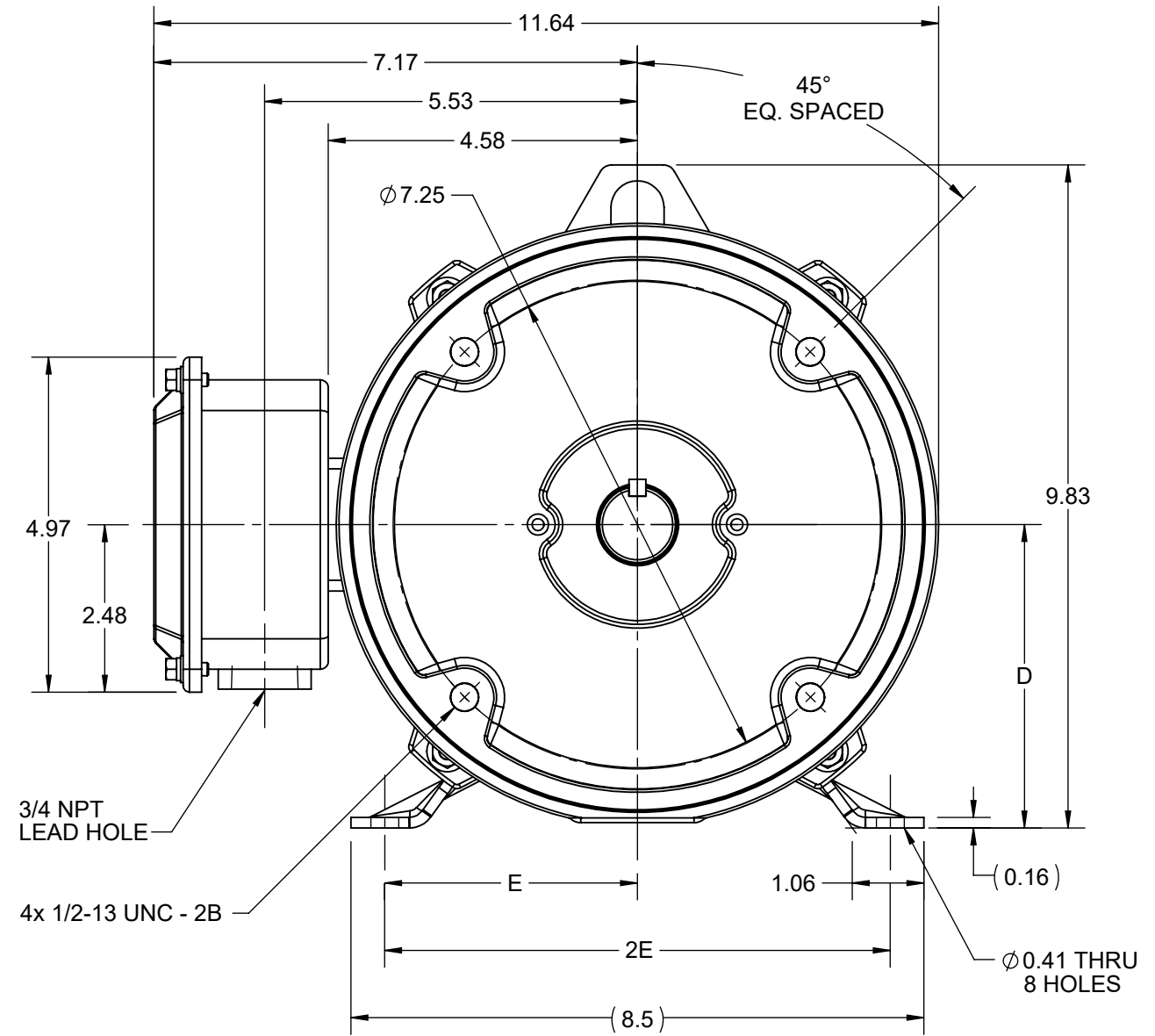
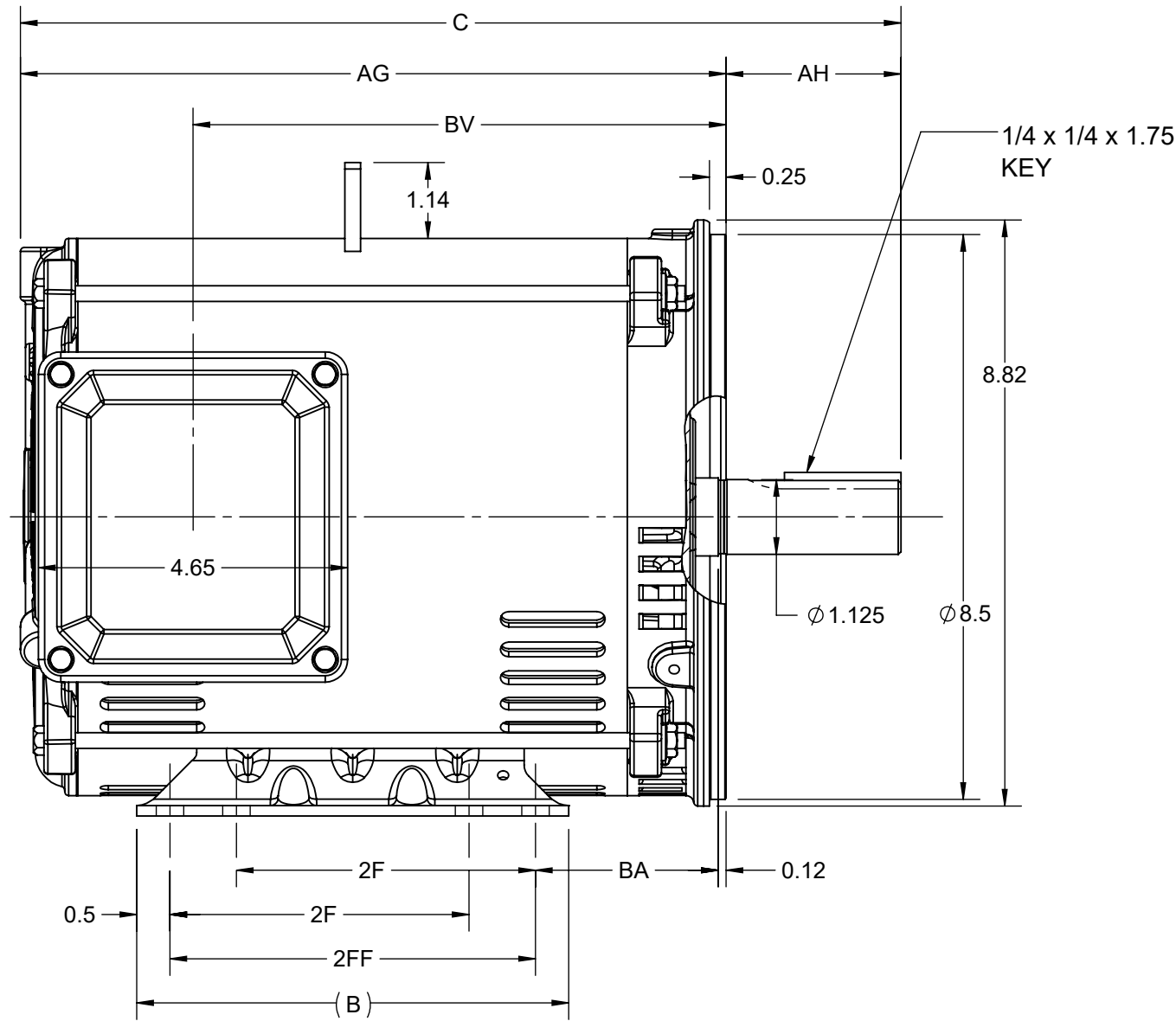
Phase	<b>3</b>	Output HP	<b>3 &amp; 0.75 Hp</b>
Output KW	<b>2.2 &amp; 0.56 kW</b>	Voltage	<b>200-230 &amp; 200-230 V</b>
Speed	<b>1768 &amp; 878 rpm</b>	Service Factor	<b>1.15 &amp; 1.15</b>
Frame	<b>182T</b>	Enclosure	<b>Drip Proof</b>
Thermal Protection	<b>No Protection</b>	Efficiency	<b>85.5 &amp; 79.3 %</b>
Ambient Temperature	<b>40 °C</b>	Frequency	<b>60 Hz</b>
Current	<b>8.5-7.5 &amp; 3.2-3 A</b>	Power Factor	<b>84</b>
Duty	<b>Continuous</b>	Insulation Class	<b>F</b>
Design Code	<b>1VT</b>	KVA Code	<b>L</b>
Drive End Bearing Size	<b>6206</b>	Opp Drive End Bearing Size	<b>6203</b>
UL	<b>Recognized</b>	CSA	<b>Y</b>
CE	<b>Y</b>	IP Code	<b>22</b>
Number of Speeds	<b>2</b>		

### Technical Specifications

Electrical Type	<b>Squirrel Cage Induction Run</b>	Starting Method	<b>Across The Line</b>
Poles	<b>4/8</b>	Rotation	<b>Reversible</b>
Resistance Main	<b>1.3749 Ohms</b>	Mounting	<b>Rigid Base</b>
Motor Orientation	<b>Horizontal</b>	Drive End Bearing	<b>Ball</b>
Opp Drive End Bearing	<b>Ball</b>	Frame Material	<b>Rolled Steel</b>
Shaft Type	<b>T</b>	Shaft Diameter	<b>1.125 in</b>
Assembly/Box Mounting	<b>F1/F2 CAPABLE</b>		
Connection Drawing	<b>EE7322</b>	Outline Drawing	<b>SS600198-100</b>

This is an uncontrolled document once printed or downloaded and is subject to change without notice. Date Created:10/18/2024

DASH NO.	4				3				2				1
	B	C	D	E	2E	2F	2FF	AG	AH	BA	BV	MOUNTING	FRAME
100	6.50	12.25	4.50	3.75	7.50	4.50	5.50	9.63	2.62	2.75	7.02	F1 OR F2	182TC
200		13.25						10.63			8.02		184TC



DRAWING REVISION A	REVISION BY RAM	REV DATE/© DATE 22/08/2022
REQUEST NUMBER CR-0010970	APPROVED BY SBD	DATE 22/08/2022
REQUEST NUMBER DESCRIPTION NEW DRAWING RELEASE		
<small>COPYRIGHT (PER REVISION DATE) REGAL BELOIT AMERICA, INC. ALL RIGHTS RESERVED. PROPRIETARY AND CONFIDENTIAL INFORMATION - THIS DOCUMENT IS THE PROPERTY OF REGAL BELOIT AMERICA, INC. ("OWNER") AND CONTAINS OWNER'S PROPRIETARY INFORMATION. ANY PERSON, CORPORATION OR OTHER FIRM RECEIVING IT IS DEEMED, BY RECEIVING IT, TO AGREE THAT IT, AND/OR ANY PART OF IT, SHALL NOT BE DISCLOSED TO ANY PERSON, CORPORATION OR OTHER ENTITY, DUPLICATED, AND/OR USED, EXCEPT AS EXPRESSLY APPROVED IN WRITING IN ADVANCE BY OWNER. THIS DOCUMENT SHALL BE RETURNED TO OWNER UPON REQUEST. IT MAY BE SUBJECT TO CERTAIN RESTRICTIONS UNDER APPLICABLE EXPORT CONTROL LAWS AND REGULATIONS.</small>		

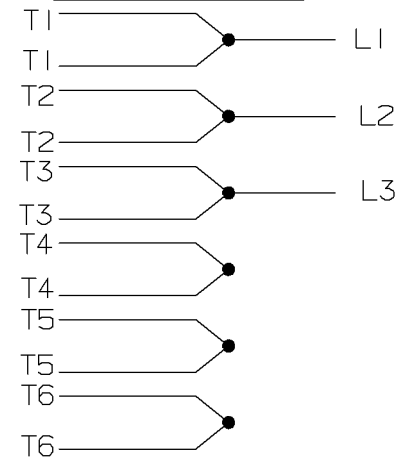
PRIMARY DIMENSIONS ARE INCH  
mm DIMENSIONS IN [BRACKETS]  
ARE FOR REFERENCE ONLY

DRAWN BY RAM	Regal Beloit America, Inc.	
DATE 22/08/2022	DESCRIPTION	
APPROVED BY SBD	<b>OUTLINE</b> 182/184TC FR NEMA ODP RS C-FACE KIT	
DATE 22/08/2022	MATERIAL	PROCESS/FINISH
REFERENCE SS600198		
THIRD ANGLE PROJECTION	SIZE B	DRAWING NUMBER SS600198A
		SHEET 1 OF 1

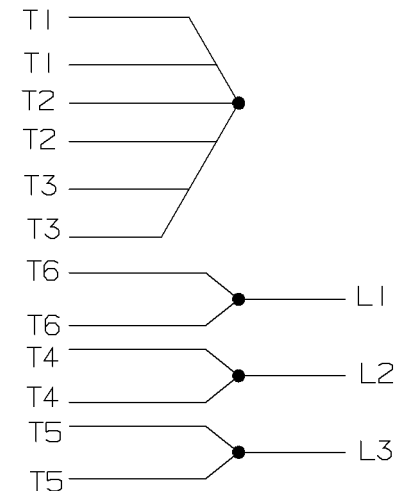
A- EE7322

FOR DUAL LEADS

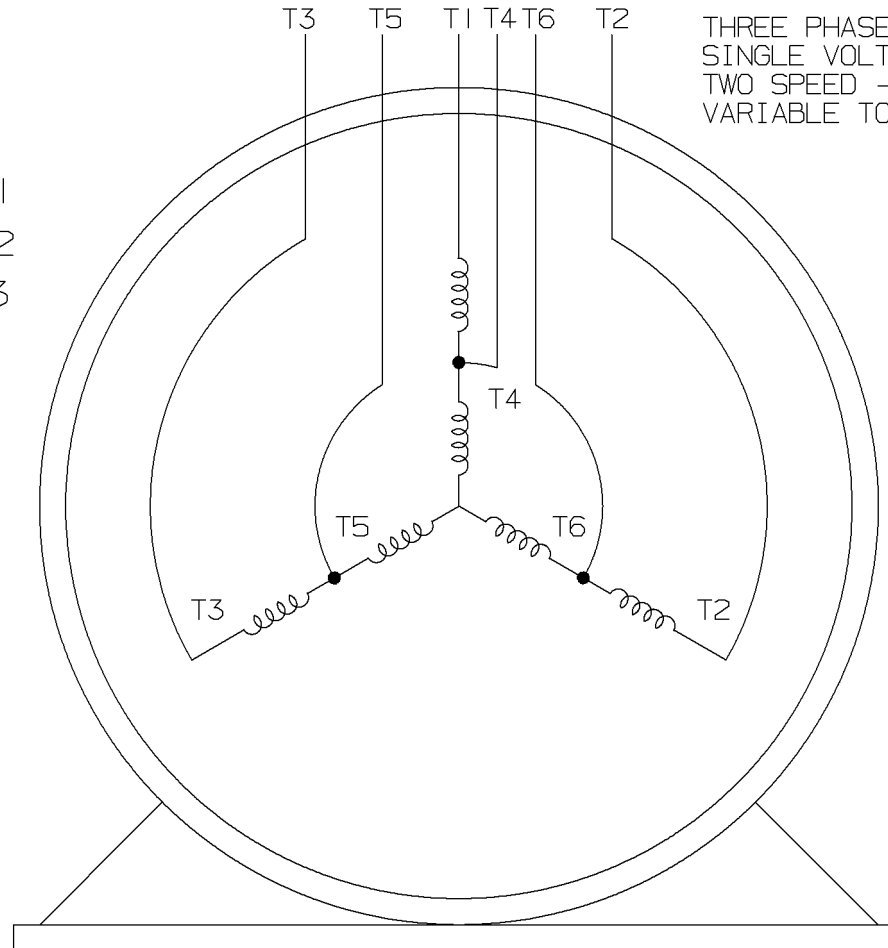
LOW SPEED



HIGH SPEED

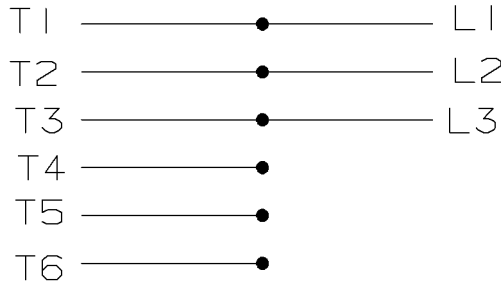


THREE PHASE MOTOR  
SINGLE VOLTAGE  
TWO SPEED - SGL. WDG.  
VARIABLE TORQUE

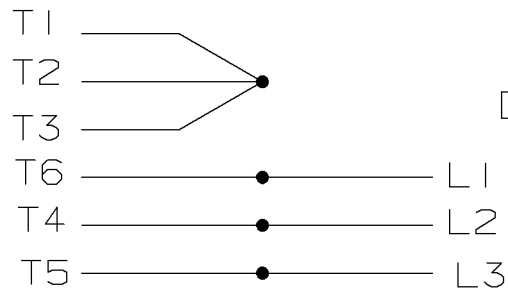


VIEW OF TERMINAL END

LOW SPEED



HIGH SPEED



T612C

T48B

				✓ MAX. SURFACE ROUGHNESS UNLESS NOTED OTHERWISE	UNLESS OTHERWISE SPECIFIED DIMENSIONS ARE IN INCHES TOL. ON XX± XXX±.005 XXXX±.0005 ANGLES±		
				MATL SPEC		DRAWN BY PGK	12-26-1996
				FINISH		CHKD BY ML	01-07-1997
7	01-08-1997	REDRAWN ON CADD	PGK	REFERENCE DRW.	MARATHON ELECTRIC WAUSAU, WISCONSIN 54401		APPD BY TB 01-07-1997
REV	DATE	CHANGE	NAME	PART NAME 3Ø - SINGLE VOLTAGE - 2 SPEED	DRWG NO A- EE7322		

SHOP BOOK

PURCHASED

DISTRIBUTION - WA - LB - WP - LM - BR

CADD FILE NO.

EE7322

Data Sheet

Date: 12/14/2021  
 Customer: \_\_\_\_\_  
 Attention: \_\_\_\_\_  
 Submitted by: SHERYL KUEHMICHEL



182TTDBD7412

Submittal

Data @ 230 V

Motor Load Data

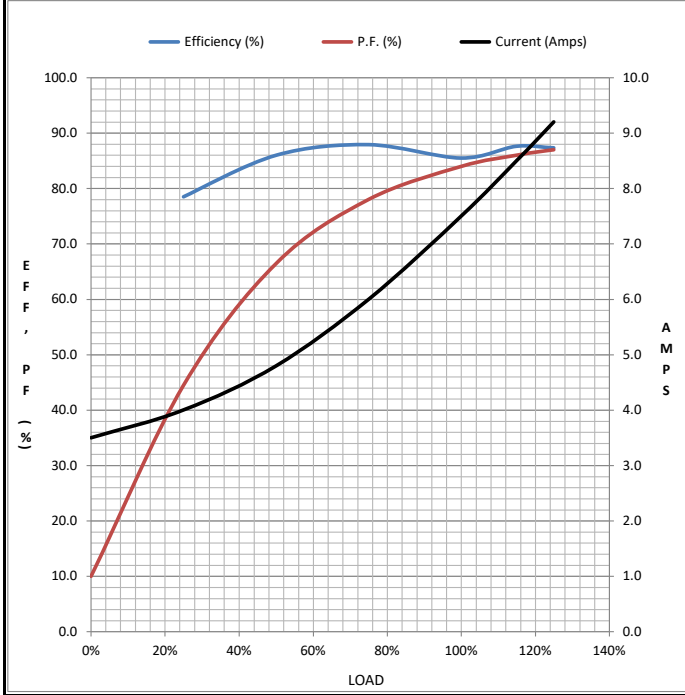
Load	0%	25%	50%	75%	100%	115%	125%	LR
Current (Amps)	3.5	4.0	4.8	6.0	7.5	8.5	9.2	73.5
Torque(ft-lb)	0.00	2.20	4.4	6.7	8.9	10.2	11.2	22.7
RPM	1800	1792	1785	1775	1768	1,762	1760	0
Efficiency (%)		78.5	86.0	87.9	85.5	87.6	87.3	
P.F. (%)	10.0	44.5	66.5	78.0	84.0	86.0	87.0	62.5

Motor Speed Data

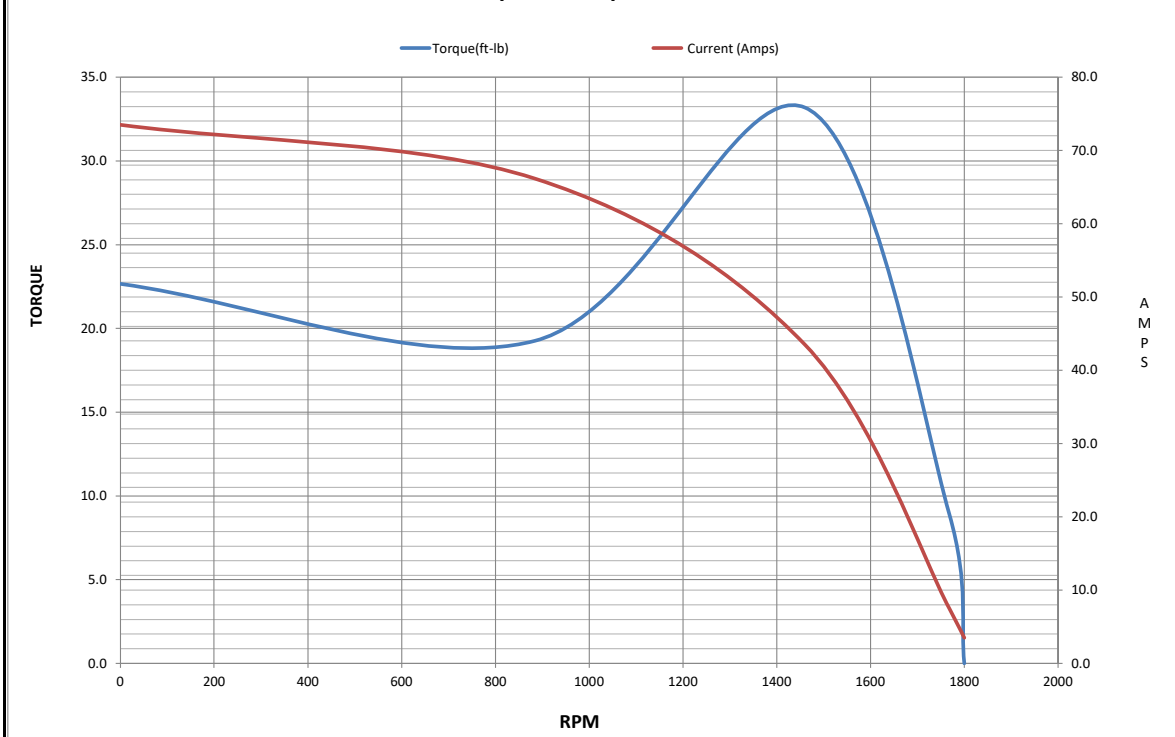
	LR	Pull-Up	BD	Rated	Idle
Speed (RPM)	0	884	1460	1768	1800
Current (Amps)	73.5	66.2	43.5	7.5	3.5
Torque(ft-lb)	22.7	19.3	33.2	8.9	0.00

Information Block

HP	3.0			
Sync. RPM	1800			
Frame	182T			
Enclosure	DP			
Construction	TDR			
Voltage	230 V			
Frequency	60 Hz			
Design	1VT			
LR Code letter	L			
Service Factor	1.15			
Temp Rise @ FL	75 °C			
Duty	CONT			
Ambient	40 °C			
Elevation	3,300 feet			
Rotor/Shaft wk <sup>2</sup>	0.00 Lb-Ft <sup>2</sup>			
Ref Wdg	HA3112(4-8)05 HS			
Sound Pressure @ 1M	0 dBA			
VFD Rating	NA			
Outline Dwg	SS600198-100			
Conn. Diag	EE7322			
Additional Specifications:				
CATALOG # Y484B				
HIGH SPEED PERFORMANCE				
NP VOLTAGE 200-230, 8.5-7.5				
EQUIV CKT (OHMS / PHASE)				
R1	R2	X1	X2	Xm
0.7916	0.3214	1.2997	1.2051	35.5868



Speed - Torque Curve



Data Sheet

Date: 12/14/2021  
 Customer: \_\_\_\_\_  
 Attention: \_\_\_\_\_  
 Submitted by: SHERYL KUEHMICHEL



182TTDBD7412

Submittal

Data @ 230 V

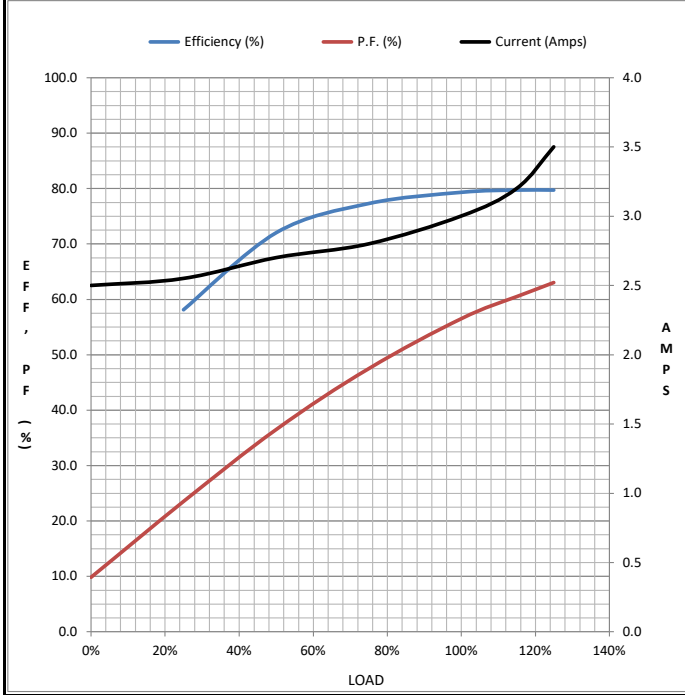
Motor Load Data

Load	0%	25%	50%	75%	100%	115%	125%	LR
Current (Amps)	2.50	2.55	2.70	2.80	3.0	3.2	3.5	13.5
Torque(ft-lb)	0.00	1.11	2.22	3.4	4.5	5.2	5.7	5.9
RPM	900	895	890	885	878	875	872	0
Efficiency (%)		58.1	72.0	77.3	79.3	79.7	79.7	
P.F. (%)	9.8	23.5	36.5	47.5	56.5	60.5	63.0	45.2

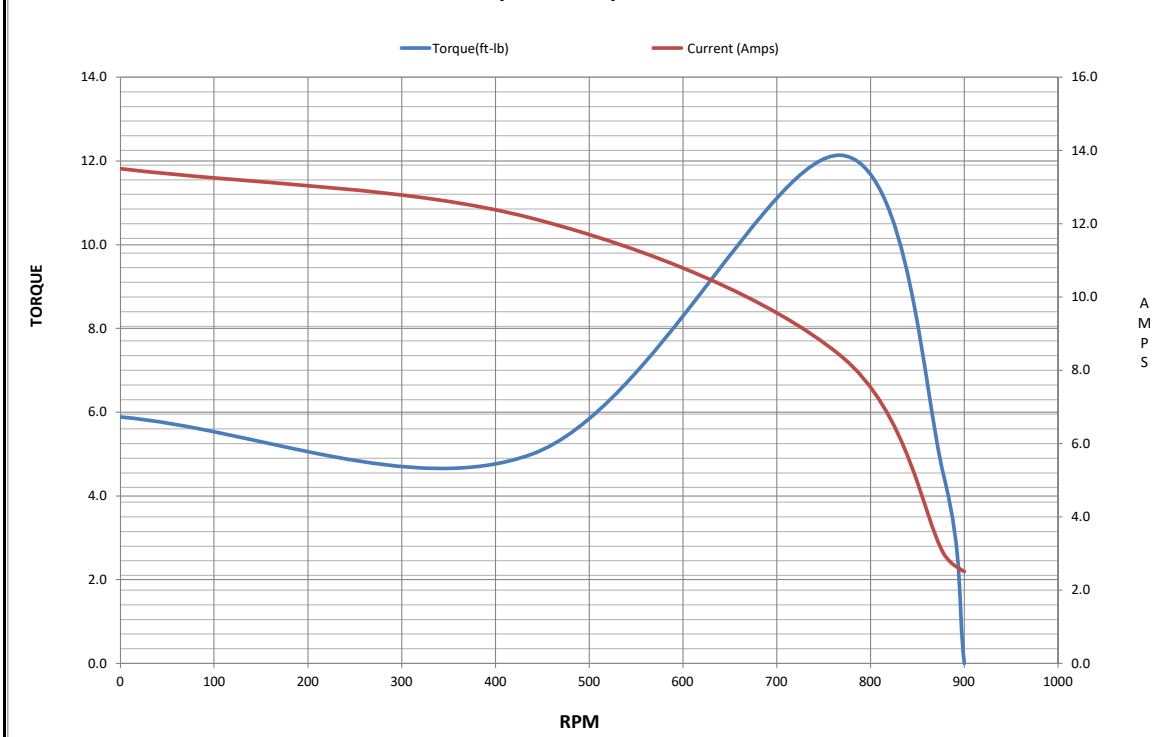
Motor Speed Data

	LR	Pull-Up	BD	Rated	Idle
Speed (RPM)	0	439	768	878	900
Current (Amps)	13.5	12.2	8.4	3.0	2.50
Torque(ft-lb)	5.9	5.0	12.1	4.5	0.00

Information Block				
HP	0.75			
Sync. RPM	900			
Frame	182T			
Enclosure	DP			
Construction	TDR			
Voltage	230 V			
Frequency	60 Hz			
Design	1VT			
LR Code letter	J			
Service Factor	1.15			
Temp Rise @ FL	70 °C			
Duty	CONT			
Ambient	40 °C			
Elevation	3,300 feet			
Rotor/Shaft wk <sup>2</sup>	0.00 Lb-Ft <sup>2</sup>			
Ref Wdg	HA3112(4-8)05 HS			
Sound Pressure @ 1M	0 dBA			
VFD Rating	NA			
Outline Dwg	SS600198-100			
Conn. Diag	EE7322			
Additional Specifications:				
CATALOG # Y484B				
LOW SPEED PERFORMANCE				
NP VOLTAGE 200-230, 3.2-3				
EQUIV CKT (OHMS / PHASE)				
R1	R2	X1	X2	Xm
3.1671	1.4370	5.3699	6.2396	46.9864



Speed - Torque Curve



## EC Declaration of Conformity

The undersigned representing  
the manufacturer:

Regal Beloit America  
100 East Randolph St.  
Wausau, WI 54401

and the authorized representative  
established within the Community:

Marathon Electric UK  
6F Thistleton Road Ind. Estate  
Market Overton  
Oakham, Rutland LE15 7PP UK

are committed to providing customers with products that comply with applicable regulations and international protocols to which they are subject, including the requirements of the European Parliament Directive on the Harmonization of the laws relating to electrical equipment designed for use within certain voltage limits (2014/35/EU).

Regal Beloit America declares that the following product(s), to which this declaration relates, are in conformity with the relevant sections of the EC standards listed below.

This statement supersedes any statements previously issued pertaining to the product(s) listed below and is subject to change without notice.

Model No : 182TTDBD7412

(Model No. may contain prefix and/or suffix characters)

Catalog No : Y484B

Rework No : N/A

Directives :

Low Voltage Directive 2014/35/EU

Harmonized Standards Used :

EN 60034-1: 2010 (IEC 60034-1: 2010)

EN 60034-5: 2001/A1:2007 (IEC 60034-5: 2000/A1:2006)

Authorized Representative:



Michael A. Logsdon  
Vice President, Technology

Authorized Representative in the Community:



Julian Clark  
Marketing Engineer

Created on 09/01/2022

**CE 22**