

# PRODUCT INFORMATION PACKET

Model No: 182TTDBD6014

Catalog No: B131849

Crop Dryer Motor, 5 & 7.50 HP, 3 Ph, 60 & 60 Hz, 230/460 & 230/460 V, 3600 & 3600 RPM, 182TZ Frame,  
DPAO



Regal and Marathon are trademarks of Regal Rexnord Corporation or one of its affiliated companies.  
©2024 Regal Rexnord Corporation, All Rights Reserved. MC017097E



**Nameplate Specifications**

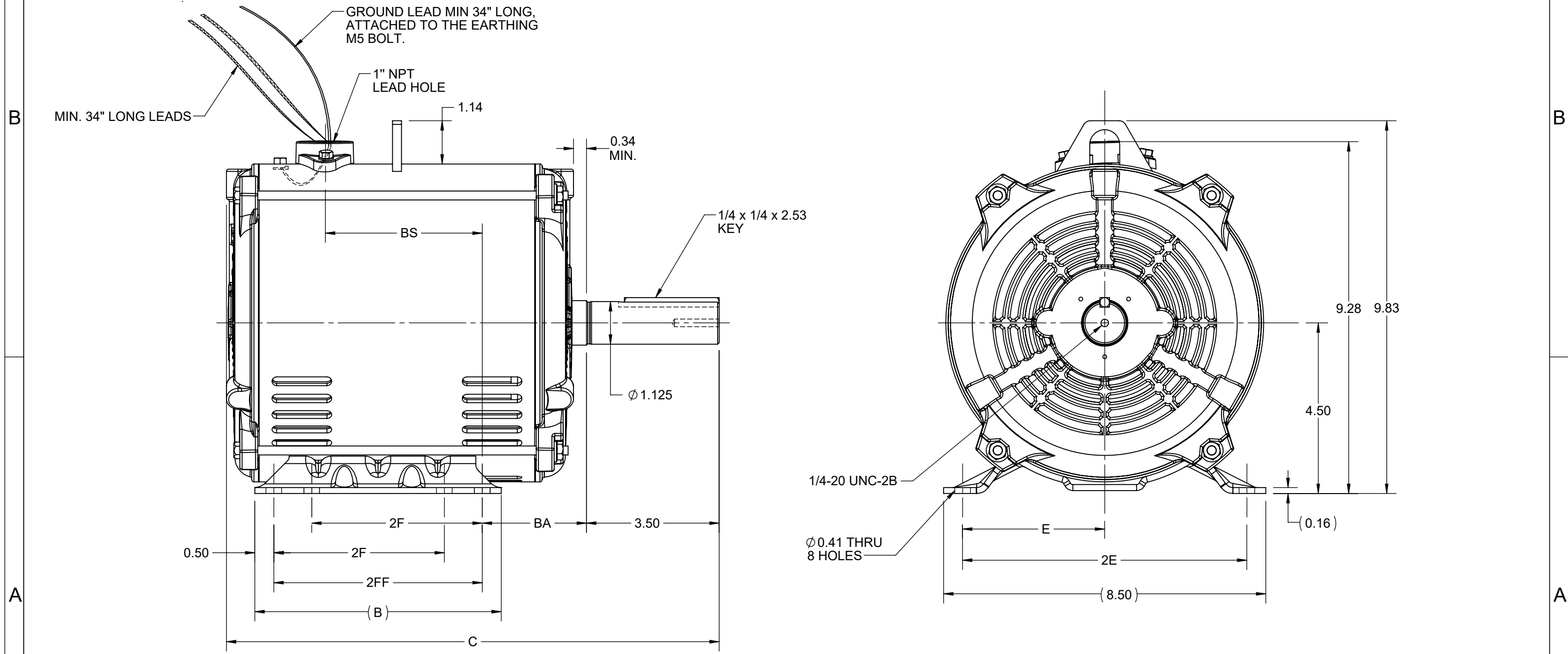
|                        |                                  |                            |                                |
|------------------------|----------------------------------|----------------------------|--------------------------------|
| Phase                  | <b>3</b>                         | Output HP                  | <b>5 &amp; 7.50 Hp</b>         |
| Output KW              | <b>3.7 &amp; 5.6 kW</b>          | Voltage                    | <b>230/460 &amp; 230/460 V</b> |
| Speed                  | <b>3495 &amp; 3495 rpm</b>       | Service Factor             | <b>1.0 &amp; 1.0</b>           |
| Frame                  | <b>182TZ</b>                     | Enclosure                  | <b>Drip Proof Air Over</b>     |
| Thermal Protection     | <b>Thermostat</b>                | Efficiency                 | <b>86.5 &amp; 83.6 %</b>       |
| Ambient Temperature    | <b>40 °C</b>                     | Frequency                  | <b>60 &amp; 60 Hz</b>          |
| Current                | <b>12.6/6.3 &amp; 19.2/9.6 A</b> | Power Factor               | <b>86</b>                      |
| Duty                   | <b>Continuous</b>                | Insulation Class           | <b>F</b>                       |
| Design Code            | <b>B</b>                         | KVA Code                   | <b>J</b>                       |
| Drive End Bearing Size | <b>6206</b>                      | Opp Drive End Bearing Size | <b>6203</b>                    |
| UL                     | <b>Recognized</b>                | CSA                        | <b>Y</b>                       |
| CE                     | <b>N</b>                         | IP Code                    | <b>22</b>                      |
| Number of Speeds       | <b>1</b>                         |                            |                                |

**Technical Specifications**

|                       |                                     |                   |                                   |
|-----------------------|-------------------------------------|-------------------|-----------------------------------|
| Electrical Type       | <b>Squirrel Cage Inverter Rated</b> | Starting Method   | <b>Line Or Inverter</b>           |
| Poles                 | <b>2</b>                            | Rotation          | <b>Reversible</b>                 |
| Resistance Main       | <b>4.33 Ohms</b>                    | Mounting          | <b>Rigid Base</b>                 |
| Motor Orientation     | <b>Horizontal</b>                   | Drive End Bearing | <b>Ball</b>                       |
| Opp Drive End Bearing | <b>Ball</b>                         | Frame Material    | <b>Rolled Steel</b>               |
| Shaft Type            | <b>Single Special Extension</b>     | Shaft Diameter    | <b>1.125 in</b>                   |
| Assembly/Box Mounting | <b>F3</b>                           | Inverter Load     | <b>CONSTANT 2:1/VARIABLE 10:1</b> |
| Connection Drawing    | <b>EE7308T</b>                      | Outline Drawing   | <b>SS600240-100</b>               |

This is an uncontrolled document once printed or downloaded and is subject to change without notice. Date Created:10/18/2024

|          | 4    |       |      | 3    |      |      |      | 2    |          | 1     |
|----------|------|-------|------|------|------|------|------|------|----------|-------|
| DASH NO. | B    | C     | E    | 2E   | 2F   | 2FF  | BA   | BS   | MOUNTING | FRAME |
| 100      | 6.50 | 13.00 | 3.75 | 7.50 | 4.50 | 5.50 | 2.75 | 4.15 | F3       | 182TZ |
| 200      |      | 14.00 |      |      |      |      |      | 5.15 |          | 184TZ |



|   |                      |                               |
|---|----------------------|-------------------------------|
| DRAWING REVISION<br>B   | REVISION BY<br>BISWA | REV DATE/© DATE<br>30/04/2021 |
| ECO<br>CR-0002406   | APPROVED BY<br>GNK   | DATE<br>30/04/2021            |
| ECO DESCRIPTION<br><b>DRAWING UPDATED</b><br>COPYRIGHT (PER REVISION DATE) REGAL BELOIT AMERICA, INC. ALL RIGHTS RESERVED. PROPRIETARY AND CONFIDENTIAL INFORMATION - THIS DOCUMENT IS THE PROPERTY OF REGAL BELOIT AMERICA, INC. ("OWNER") AND CONTAINS OWNER'S PROPRIETARY INFORMATION. ANY PERSON, CORPORATION OR OTHER FIRM RECEIVING IT IS DEEMED, BY RECEIVING IT, TO AGREE THAT IT, AND/OR ANY PART OF IT, SHALL NOT BE DISCLOSED TO ANY PERSON, CORPORATION OR OTHER ENTITY, DUPLICATED, AND/OR USED, EXCEPT AS EXPRESSLY APPROVED IN WRITING IN ADVANCE BY OWNER. THIS DOCUMENT SHALL BE RETURNED TO OWNER UPON REQUEST. IT MAY BE SUBJECT TO CERTAIN RESTRICTIONS UNDER APPLICABLE EXPORT CONTROL LAWS AND REGULATIONS. |                      |                               |

PRIMARY DIMENSIONS ARE INCH  
mm DIMENSIONS IN [BRACKETS]  
ARE FOR REFERENCE ONLY

|                        |   |
|------------------------|---|
| DRAWN BY<br>MSH        | <b>REGAL</b> ® Regal Beloit America, Inc.                       |
| DATE<br>30/04/2020     |   |
| APPROVED BY<br>MSH     | DESCRIPTION<br><b>OUTLINE</b><br>182/184TZ FR ODP RS-CROP DRYER |
| DATE<br>30/04/2020     | MATERIAL  |
| REFERENCE              | PROCESS/FINISH  |
| THIRD ANGLE PROJECTION | SIZE<br>B   |
|                        | DRAWING NUMBER<br>SS600240                                      |
|                        | SHEET<br>1 OF 1   |

**HIGH VOLTAGE**



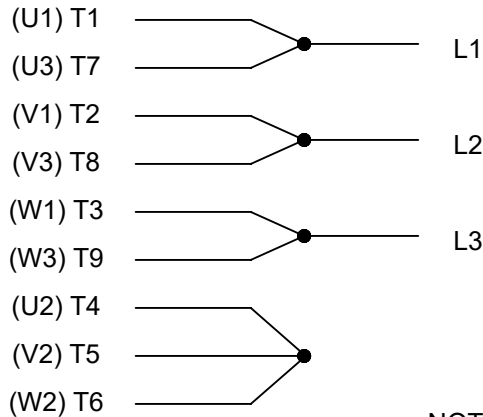
**THREE PHASE  
DUAL VOLTAGE MOTOR**

THERMO-PROTECTORS  
CONNECTED IN SERIES



NOTE FOR FACTORY USE ONLY:  
TO SURGE TEST FOR COMMON CONNECT:  
HIGH VOLT: CONNECT P1 TO T1  
THEN P2 TO L1  
LOW VOLT: CONNECT P1 TO T1 & T7,  
THEN P2 TO L1

**LOW VOLTAGE**



**VIEW OF TERMINAL END**

NOTE: LEAD'S COLOR CAN BE YELLOW OR WHITE FOR MT2 PLANT

|   |                   |                    |                            |                    |   |                 |
|---|-------------------|--------------------|----------------------------|--------------------|---|-----------------|
| DRAWING REVISION<br>T   | REVISION BY<br>ZR | DATE<br>01-14-2019 |                            | DRAWN BY<br>SMC    | Regal Beloit America, Inc.  |                 |
| ECO<br>ECO-0159915  | APPROVED BY<br>DR | DATE<br>01-15-2019 |                            | DATE<br>05-13-1992 |   |                 |
| ECO DESCRIPTION<br>ADDED TERMINAL CONNECTION DIAGRAM  |                   |                    |                            | APPROVED BY<br>TB  | DESCRIPTION<br><b>CONN DIAGRAM-INTERNAL</b><br>3 PHASE - DUAL VOLTAGE MOTOR |                 |
| <small>COPYRIGHT REGAL BELOIT AMERICA, INC. ALL RIGHTS RESERVED.<br/>PROPRIETARY AND CONFIDENTIAL INFORMATION - THIS DOCUMENT IS THE PROPERTY OF<br/>REGAL BELOIT AMERICA, INC. ("OWNER") AND CONTAINS OWNER'S PROPRIETARY<br/>INFORMATION. ANY PERSON, CORPORATION OR OTHER FIRM RECEIVING IT IS DEEMED,<br/>BY RECEIVING IT, TO AGREE THAT IT, AND/OR ANY PART OF IT, SHALL NOT BE DISCLOSED<br/>TO ANY PERSON, CORPORATION OR OTHER ENTITY, DUPLICATED, AND/OR USED, EXCEPT<br/>AS EXPRESSLY APPROVED IN WRITING IN ADVANCE BY OWNER. THIS DOCUMENT SHALL<br/>BE RETURNED TO OWNER UPON REQUEST. IT MAY BE SUBJECT TO CERTAIN<br/>RESTRICTIONS UNDER APPLICABLE EXPORT CONTROL LAWS AND REGULATIONS.</small> |                   |                    |                            | DATE<br>05-13-1992 | MATERIAL  | PROCESS/FINISH  |
|   |                   |                    | REFERENCE<br>EE7308/EE7300 | SIZE<br>A          | DRAWING NUMBER<br>EE7308T   | SHEET<br>1 OF 1 |
|   |                   |                    | THIRD ANGLE<br>PROJECTION  |                    |   |                 |