

PRODUCT INFORMATION PACKET

marathon®
Motors

Model No: 182TTDB6085

Catalog No: GT2405

Globetrotter® Close-Coupled Pump Motor, 1.50 & 1 HP, 3 Ph, 60 & 50 Hz, 230/460 & 190/380 V,
1200 & 1000 RPM, 182JPV Frame, DP



Regal and Marathon are trademarks of Regal Rexnord Corporation or one of its affiliated companies.

©2023 Regal Rexnord Corporation, All Rights Reserved. MC017097E

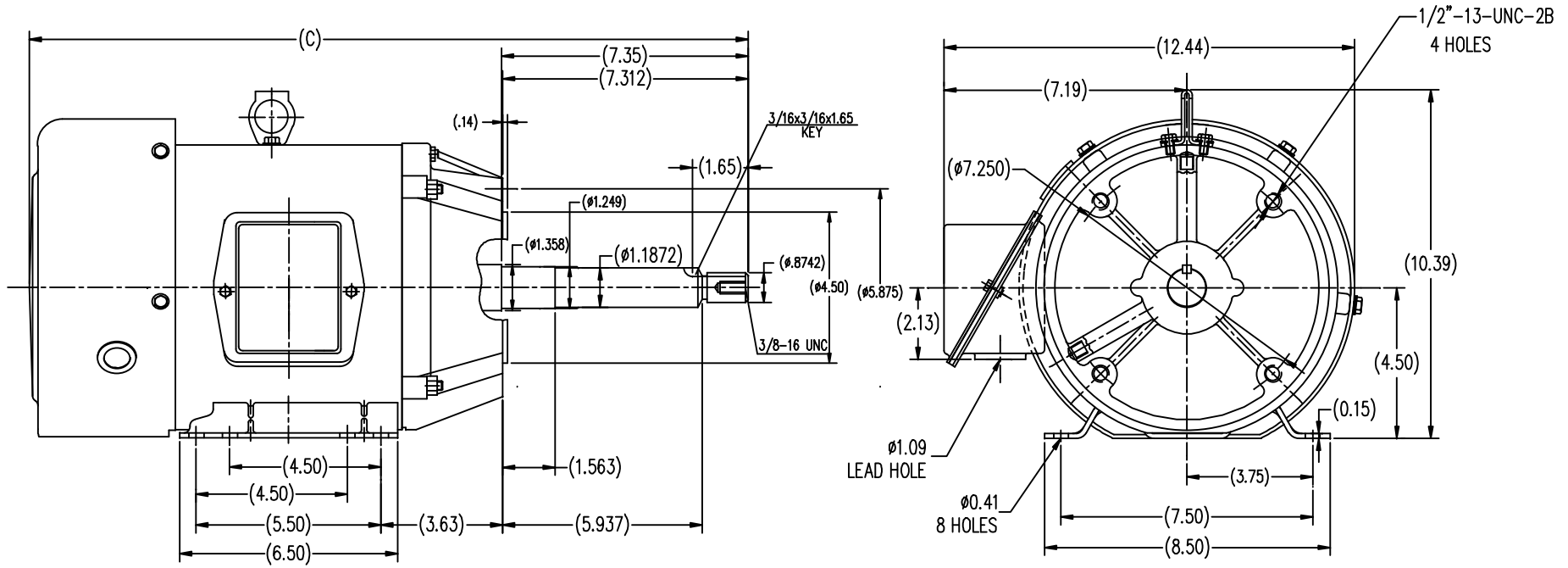
RegalRexnord

Nameplate Specifications

Phase	3	Output HP	1.50 & 1 Hp
Output KW	1.1 & 0.75 kW	Voltage	230/460 & 190/380 V
Speed	1180 & 983 rpm	Service Factor	1.15 & 1.0
Frame	182JPV	Enclosure	Drip Proof
Thermal Protection	No Protection	Efficiency	86.5 & 85.5 %
Ambient Temperature	40 °C	Frequency	60 & 50 Hz
Current	4.4/2.2 & 3.5/1.75 A	Power Factor	69
Duty	Continuous	Insulation Class	F
Design Code	B	KVA Code	J
Drive End Bearing Size	6206	Opp Drive End Bearing Size	6203
UL	Recognized	CSA	Y
CE	Y	IP Code	22
Number of Speeds	1		

Technical Specifications

Electrical Type	Squirrel Cage Inverter Rated	Starting Method	Line Or Inverter
Poles	6	Rotation	Reversible
Resistance Main	8.05 Ohms	Mounting	Rigid Base
Motor Orientation	Horizontal Or Shaft Down	Drive End Bearing	Ball
Opp Drive End Bearing	Ball	Frame Material	Rolled Steel
Shaft Type	JP	Overall Length	19.06 in
Shaft Diameter	0.875 in	Shaft Extension	7.35 in
Assembly/Box Mounting	F1 ONLY	Inverter Load	VARIABLE 10:1
Outline Drawing	SS620562-182TC	Connection Drawing	EE7308



TIFB 182TC	19.067
TIFB 184TC	20.047
FRAME	C

		TOLERANCES UNLESS SPECIFIED		REGAL-BELOIT CORPORATION		DRAWN ZXC 5-21-2012				
		DEC.	INCHES	CHK		APPD				
		.X	±.1	TITLE		SCALE 1=4				
		.XX	±.03	TEFC-182/184JP-FR-ROLLED STEEL		REF				
		.XXX	±.005	MAT'L.		FMF HWADA				
		.XXXX	±.0005	FINISH		PREV				
NO.	REVISION	BY & DATE	CHK	ANG	FINISH	RFP	CAD FILE	SIZE	DRAWING NO.	REV.
							SS620562	B	SS620562	
THIS DRAWING IN DESIGN AND DETAIL IS OUR PROPERTY AND MUST NOT BE USED EXCEPT IN CONNECTION WITH OUR WORK ALL RIGHTS OF DESIGN AND INVENTION ARE RESERVED THIS IS AN ELECTRONICALLY GENERATED DOCUMENT - DO NOT SCALE THIS PRINT						RFP				
						DIST				

EE7308

THREE PHASE
DUAL VOLTAGE MOTOR



VIEW OF TERMINAL END

REF.
WINDING DIAGRAM

T8Y, T2Y, T2BL, T4BX, T2EC, T2G
T6BZ, T2B, T6BL, T4AV, T6B, T4B

OPTIONAL CORD
CONNECTION

L1 — WHITE
L2 — RED
L3 — BLACK

NO.	REVISION	BY & DATE	CHK	ANG	TOLERANCES UNLESS SPECIFIED		FINISH	DRAWN RM 11/20/1990				
					DEC.	INCHES						
5	CHG TO REGAL LOGO	SL 09/10/2015	AB					CHK ML 11/21/1990				
4	REVISED IEC NOTATIONS	MSG 11/15/2011	CMN	.X	±.1			APPD SAS 04/24/2003				
3	ADDED IEC NOTATIONS... (U1), (V1) ETC. MU95194	MSG 5/10/2010	MJS	.XX	±.02		TITLE CONNECTION DIAGRAM	SCALE 1=1				
2	ADDED THE OPTIONAL CORD CONNECTION MU46318	RDH 04/24/2003	DRS	.XXX	±.005		3Ø - DUAL VOLTAGE MOTOR	REF				
1	REDRAWN	RM 11/20/1990		.XXXX	±.0005		MAT'L.	FMF				
					±7'30"			PREV				
THIS DRAWING IN DESIGN AND DETAIL IS OUR PROPERTY AND MUST NOT BE USED EXCEPT IN CONNECTION WITH OUR WORK ALL RIGHTS OF DESIGN AND INVENTION ARE RESERVED THIS IS AN ELECTRONICALLY GENERATED DOCUMENT - DO NOT SCALE THIS PRINT							RFP	CAD FILE ee7308	SIZE A	DRAWING NO. EE7308	PAGE OF 5	REV. 5
							DIST WP					



Regal Beloit America, Inc.

Data Sheet

Date: 6/19/2017

182TTDB6085

Customer: _____



Attention: _____

Submittal

Submitted by: FAREEDA DUDEKULA

Data @ 460 V

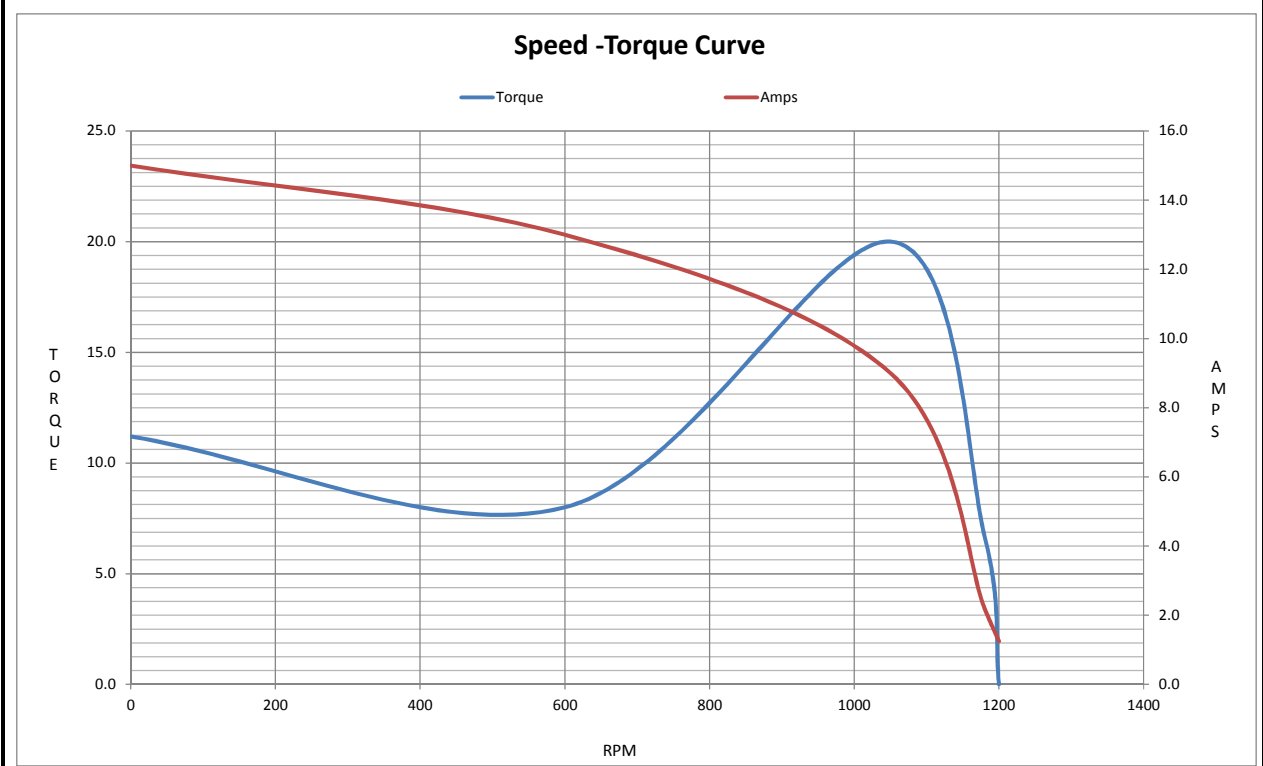
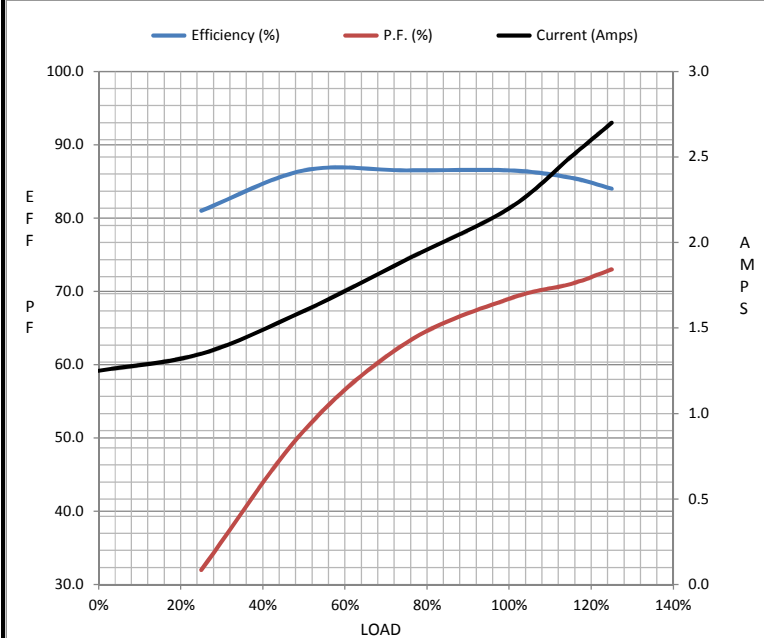
Motor Load Data

Load	0%	25%	50%	75%	100%	115%	125%	LR
Current (Amps)	1.25	1.35	1.60	1.90	2.20	2.50	2.70	15.0
Torque (ft-lb)	0.00	1.65	3.3	5.0	6.7	7.7	8.4	11.2
RPM	1200	1195	1190	1185	1180	1,178	1175	0
Efficiency (%)		81.0	86.5	86.5	86.5	85.5	84.0	
P.F. (%)	6.0	32.0	51.0	63.0	69.0	71.0	73.0	37.0

Motor Speed Data

	LR	Pull-Up	BD	Rated	Idle
Speed (RPM)	0	600	1050	1180	1200
Current (Amps)	15.0	13.0	9.0	2.20	1.25
Torque (ft-lb)	11.2	8.0	20.0	6.7	0.00

Information Block				
HP	1.5			
Sync. RPM	1200			
Frame	182			
Enclosure	DP			
Construction	TDB			
Voltage	30/460#190/381V			
Frequency	60 Hz			
Design	B			
LR Code letter	J			
Service Factor	1.15			
Temp Rise @ FL	25 °C			
Duty	CONT			
Ambient	40 °C			
Elevation	1,000 feet			
Rotor/Shaft wk ²	0.38 Lb-Ft ²			
Ref Wdg	CHT18260008 NONE			
Sound Pressure @ 1M	54 dBA			
VFD Rating	VARIABLE 10:1			
Outline Dwg	SS620562			
Conn. Diag	EE7308			
Additional Specifications:				
0				
0				
EQUIV CKT (OHMS / PHASE)				
R1	R2	X1	X2	Xm
4.5360	2.2680	13.6080	17.9550	217.3500



EC Declaration of Conformity

The undersigned representing
the manufacturer:

Regal Beloit America
100 East Randolph St.
Wausau, WI 54401

and the authorized representative
established within the Community:

Marathon Electric UK
6F Thistleton Road Ind. Estate
Market Overton
Oakham, Rutland LE15 7PP UK

are committed to providing customers with products that comply with applicable regulations and international protocols to which they are subject, including the requirements of the European Parliament Directive on the Harmonization of the laws relating to electrical equipment designed for use within certain voltage limits (2014/35/EU).

Regal Beloit America declares that the following product(s), to which this declaration relates, are in conformity with the relevant sections of the EC standards listed below.

This statement supersedes any statements previously issued pertaining to the product(s) listed below and is subject to change without notice.

Model No : 182TTDB6085

(Model No. may contain prefix and/or suffix characters)

Catalog No : GT2405

Rework No : N/A

Directives :

Low Voltage Directive 2014/35/EU

Harmonized Standards Used :

EN 60034-1: 2010 (IEC 60034-1: 2010)

EN 60034-5: 2001/A1:2007 (IEC 60034-5: 2000/A1:2006)

Authorized Representative:



Michael A. Logsdon
Vice President, Technology

Authorized Representative in the Community:



Julian Clark
Marketing Engineer

Created on 09/01/2022

CE 22