

PRODUCT INFORMATION PACKET

Model No: 182TTDB6038

Catalog No: GT2510

Globetrotter® Close-Coupled Pump Motor, 3 HP, 3 Ph, 60 Hz, 575 V, 1800 RPM, 182JP Frame, DP



Regal and Marathon are trademarks of Regal Rexnord Corporation or one of its affiliated companies.

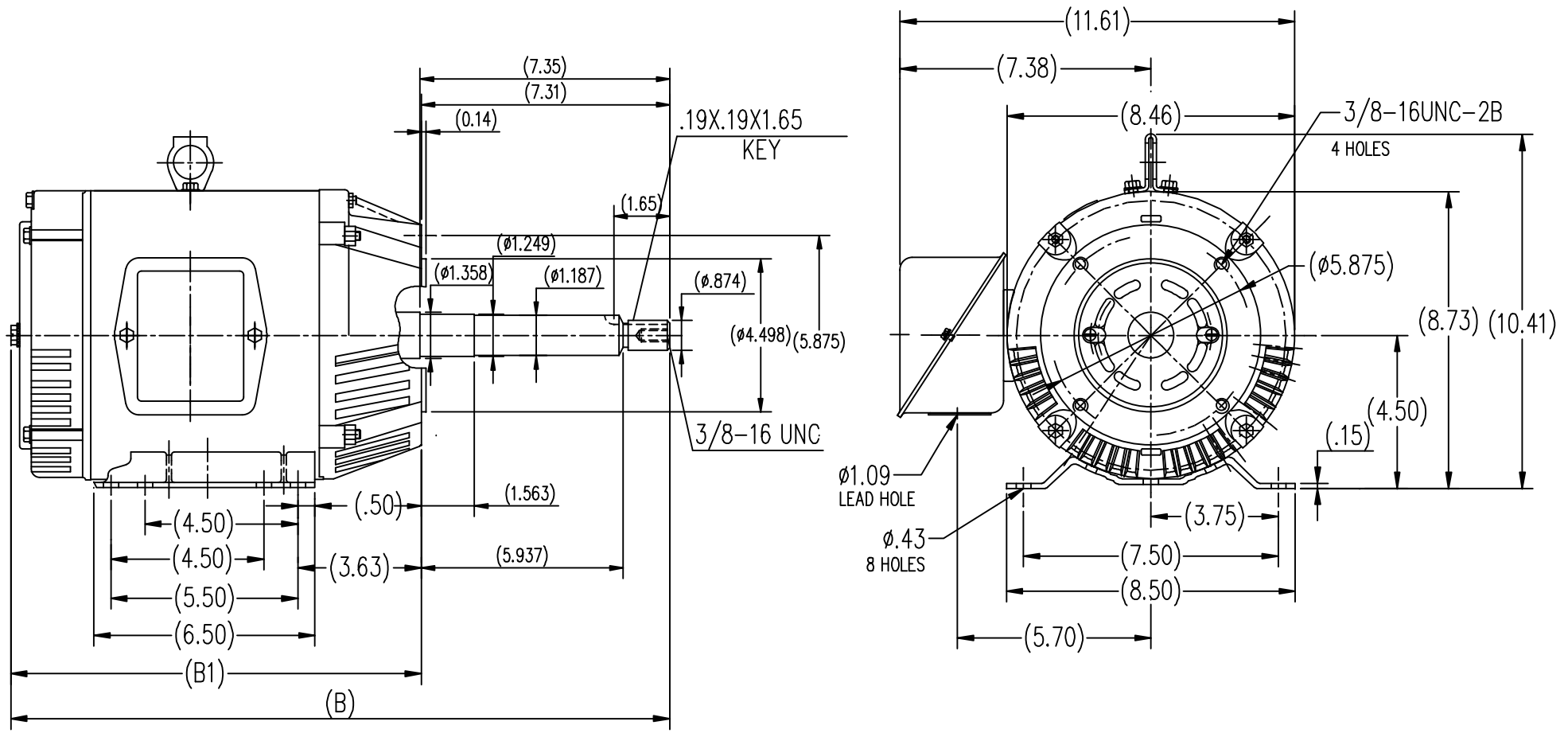
©2023 Regal Rexnord Corporation, All Rights Reserved. MC017097E

Nameplate Specifications

Phase	3	Output HP	3 Hp
Output KW	2.2 kW	Voltage	575 V
Speed	1760 rpm	Service Factor	1.15
Frame	182JP	Enclosure	Drip Proof
Thermal Protection	No Protection	Efficiency	90.2 %
Ambient Temperature	40 °C	Frequency	60 Hz
Current	3.1 A	Power Factor	81.5
Duty	Continuous	Insulation Class	F
Design Code	B	KVA Code	L
Drive End Bearing Size	6307	Opp Drive End Bearing Size	6205
UL	Recognized	CSA	Y
CE	Y	IP Code	22
Number of Speeds	1		

Technical Specifications

Electrical Type	Squirrel Cage Inverter Rated	Starting Method	Line Or Inverter
Poles	4	Rotation	Reversible
Resistance Main	3.38 Ohms	Mounting	Rigid Base
Motor Orientation	Horizontal	Drive End Bearing	Ball
Opp Drive End Bearing	Ball	Frame Material	Rolled Steel
Shaft Type	JP	Overall Length	19.44 in
Frame Length	6.73 in	Shaft Diameter	0.875 in
Shaft Extension	7.35 in	Assembly/Box Mounting	F1 Only
Inverter Load	VARIABLE 10:1		
Connection Drawing	EE7300	Outline Drawing	SS620570-182T



182T	12.09	19.44
184T	13.11	20.46
FRAME	B1	B

		TOLERANCES UNLESS SPECIFIED				DRAWN ZXC 05-17-2012	
		DEC.	INCHES			CHK	
		.X	±.1	TITLE		APPD	SCALE 1=4
		.XX	±.03	ODP-182/184JP FR-ROLLED STEEL		REF	
		.XXX	±.005	MAT'L		FMF	HWADA
		.XXXX	±.0005	FINISH		PREV	
NO.	REVISION	BY & DATE	CHK	ANG	±1/2	RFP	CAD FILE
THIS DRAWING IN DESIGN AND DETAIL IS OUR PROPERTY AND MUST NOT BE USED EXCEPT IN CONNECTION WITH OUR WORK ALL RIGHTS OF DESIGN AND INVENTION ARE RESERVED THIS IS AN ELECTRONICALLY GENERATED DOCUMENT - DO NOT SCALE THIS PRINT				SS620570		SIZE	DRAWING NO.
				DIST		B	SS620570
						REV.	

THREE PHASE - SINGLE VOLTAGE
MOTOR - CONDUIT BOX @ 'A'

TERMINAL BLOCK WHEN SPECIFIED

TO REVERSE ROTATION:
INTERCHANGE ANY TWO LINE
LEAD CONNECTIONS



VIEW OF TERMINAL END

OPTIONAL CORD CONNECTION

L1	WHITE
L2	RED
L3	BLACK

DRAWING REVISION AC	REVISION BY BS	REV DATE/© DATE 26/07/2022
REQUEST NUMBER CR-0010402	APPROVED BY SN	DATE 26/07/2022
REQUEST NUMBER DESCRIPTION DRAWING UPDATED		
<small>COPYRIGHT (PER REVISION DATE) REGAL BELOIT AMERICA, INC. ALL RIGHTS RESERVED. PROPRIETARY AND CONFIDENTIAL INFORMATION - THIS DOCUMENT IS THE PROPERTY OF REGAL BELOIT AMERICA, INC. ("OWNER") AND CONTAINS OWNER'S PROPRIETARY INFORMATION. ANY PERSON, CORPORATION OR OTHER FIRM RECEIVING IT IS DEEMED, BY RECEIVING IT, TO AGREE THAT IT, AND/OR ANY PART OF IT, SHALL NOT BE DISCLOSED TO ANY PERSON, CORPORATION OR OTHER ENTITY, DUPLICATED, AND/OR USED, EXCEPT AS EXPRESSLY APPROVED IN WRITING IN ADVANCE BY OWNER. THIS DOCUMENT SHALL BE RETURNED TO OWNER UPON REQUEST. IT MAY BE SUBJECT TO CERTAIN RESTRICTIONS UNDER APPLICABLE EXPORT CONTROL LAWS AND REGULATIONS.</small>		

PRIMARY DIMENSIONS ARE INCH
mm DIMENSIONS IN [BRACKETS]
ARE FOR REFERENCE ONLY

DRAWN BY DA
DATE 03-26-1993
APPROVED BY TB
DATE 03-26-1993
REFERENCE
THIRD ANGLE PROJECTION

		Regal Beloit America, Inc.	
DESCRIPTION CONNECTION DIAGRAM EXTERNAL - SINGLE VOLTAGE - 3Ø MOTOR			
MATERIAL		PROCESS/FINISH	
SIZE A	DRAWING NUMBER EE7300		SHEET 1 OF 1

CERTIFICATION DATA SHEET

Model#: 182TTDB6038 AA **WINDING#:** CHT18240008 NONE 3
CONN. DIAGRAM: EE7300 **ASSEMBLY:** F1/F2 CAPABLE
OUTLINE: SS620570

TYPICAL MOTOR PERFORMANCE DATA

HP	KW	SYNC. RPM	F.L. RPM	FRAME	ENCLOSURE	KVA CODE	DESIGN
3	2.24	1800	1760	182JP	DP	L	B

PH	Hz	VOLTS	FL AMPS	START TYPE	DUTY	INSL	S.F	AMB°C	ELEVATION
3	60	575	3.05	LINE OR INVERTER	CONTINUOU S	F7	1.15	40	3300

FULL LOAD EFF: 90.2	3/4 LOAD EFF: 90.2	1/2 LOAD EFF: 89.5	GTD. EFF	ELEC. TYPE	NO LOAD AMPS
FULL LOAD PF: 81.5	3/4 LOAD PF: 75.5	1/2 LOAD PF: 63.5	88.5	SQ CAGE INV RATED	1.4

F.L. TORQUE	LOCKED ROTOR AMPS	L.R. TORQUE	B.D. TORQUE	F.L. RISE°C
9 LB-FT	28	25 LB-FT 277	37 LB-FT 411	35

SOUND PRESSURE @ 3 FT.	SOUND POWER	ROTOR WK^2	MAX. WK^2	SAFE STALL TIME	STARTS /HOUR	APPROX. MOTOR WGT
67 dBA	77 dBA	0.4 LB-FT^2	20 LB-FT^2	20 SEC.	2	80 LBS.

***** SUPPLEMENTAL INFORMATION *****

DE BRACKET TYPE	ODE BRACKET TYPE	MOUNT TYPE	ORIENTATION	SEVERE DUTY	HAZARDOUS LOCATION	DRIP COVER	SCREENS	PAINT
C-FACE	STANDARD	RIGID	HORIZONTAL	FALSE	NONE	FALSE	NONE	BLUE (ENAMEL)

BEARINGS		GREASE	SHAFT TYPE	SPECIAL DE	SPECIAL ODE	SHAFT MATERIAL	FRAME MATERIAL
DE	OPE						
BALL	BALL	POLYREX EM	JP	NONE	NONE	1045 HOT ROLLED (C-204)	ROLLED STEEL
6307	6205						

THERMO-PROTECTORS				THERMISTORS	CONTROL	SPACE /n HEATERS
THERMOSTATS	PROTECTORS	WDG RTDs	BRG RTDs			
NONE	NOT	NONE	NONE	NONE	FALSE	NONE VOLTS

If Inverter equals NONE, contact factory for further information

*
N
O
T
E
S
*

INVERTER TORQUE: VARIABLE 10:1
INV. HP SPEED RANGE: NONE
ENCODER: NONE
NONE NONE
NONE NONE PPR
BRAKE: NONE NONE
NONE P/N NONE
NONE NONE
NONE FT-LB NONE V NONE Hz

DATE: 06/27/2017 01:31:56 AM
 FORM 3531 REV.3 02/07/99
 ** Subject to change without notice.

Data Sheet

Date: 19-06-2017
 Customer: _____
 Attention: _____
 Submitted by: FAREEDA DUDEKULA



182TTDB6038

Submittal

Data @ 575 V

Motor Load Data

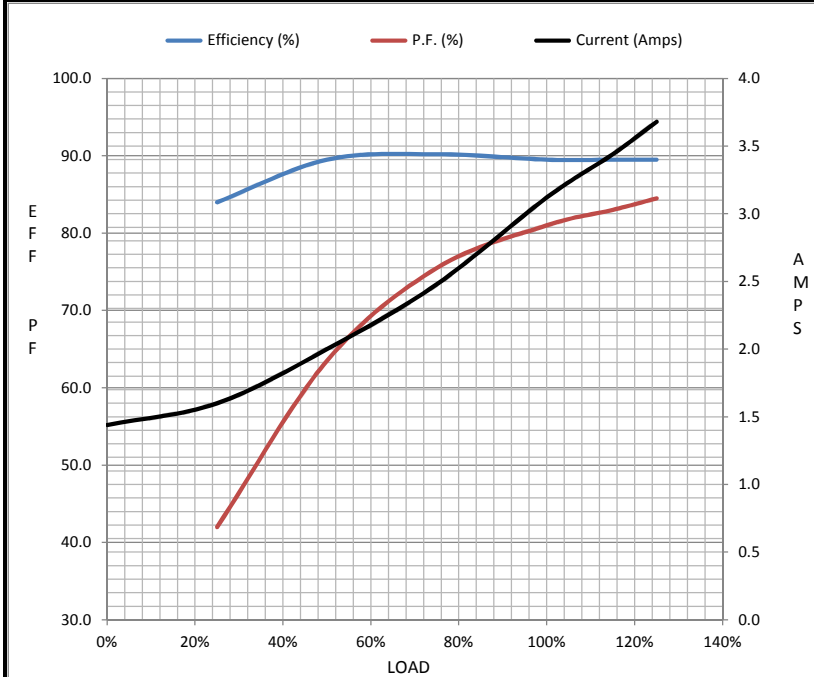
Load	0%	25%	50%	75%	100%	115%	125%	LR
Current (Amps)	1.44	1.60	2.00	2.48	3.1	3.4	3.7	28.0
Torque (ft-lb)	0.00	2.20	4.4	6.7	9.0	10.3	11.3	25.0
RPM	1800	1790	1780	1770	1750	1,745	1740	0
Efficiency (%)		84.0	89.5	90.2	89.5	89.5	89.5	
P.F. (%)	6.5	42.0	63.5	75.5	81.0	83.0	84.5	53.5

Motor Speed Data

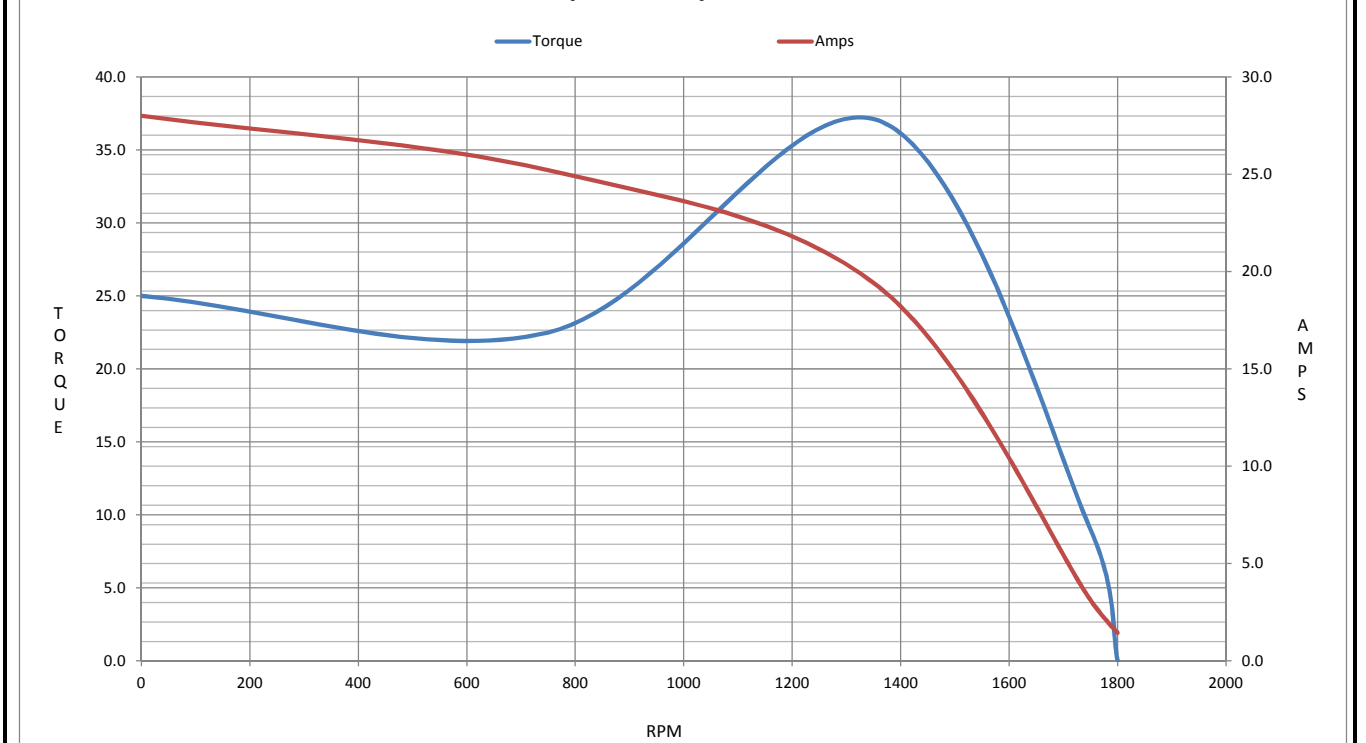
	LR	Pull-Up	BD	Rated	Idle
Speed (RPM)	0	750	1360	1750	1800
Current (Amps)	28.0	25.2	19.2	3.1	1.44
Torque (ft-lb)	25.0	22.5	37.0	9.0	0.00

Information Block

HP	3.0			
Sync. RPM	1800			
Frame	182			
Enclosure	DP			
Construction	TDB			
Voltage	575 V			
Frequency	60 Hz			
Design	A			
LR Code letter	K			
Service Factor	1.15			
Temp Rise @ FL	35 ° C			
Duty	CONT			
Ambient	40 ° C			
Elevation	1,000 feet			
Rotor/Shaft wk ²	0.40 Lb-Ft ²			
Ref Wdg	CHT18240008 NONE			
Sound Pressure @ 1M	67 dBA			
VFD Rating	VARIABLE 10:1			
Outline Dwg	SS620570			
Conn. Diag	EE7300			
Additional Specifications:				
0				
365THFS8036				
EQUIV CKT (OHMS / PHASE)				
R1	R2	X1	X2	Xm
3.1040	3.4000	8.4250	8.4250	221.7190



Speed - Torque Curve



EC Declaration of Conformity

The undersigned representing
the manufacturer:

Regal Beloit America
100 East Randolph St.
Wausau, WI 54401

and the authorized representative
established within the Community:

Marathon Electric UK
6F Thistleton Road Ind. Estate
Market Overton
Oakham, Rutland LE15 7PP UK

are committed to providing customers with products that comply with applicable regulations and international protocols to which they are subject, including the requirements of the European Parliament Directive on the Harmonization of the laws relating to electrical equipment designed for use within certain voltage limits (2014/35/EU).

Regal Beloit America declares that the following product(s), to which this declaration relates, are in conformity with the relevant sections of the EC standards listed below.

This statement supersedes any statements previously issued pertaining to the product(s) listed below and is subject to change without notice.

Model No : 182TTDB6038

(Model No. may contain prefix and/or suffix characters)

Catalog No : GT2510

Rework No : N/A

Directives :

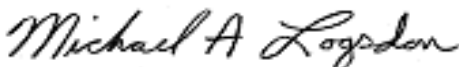
Low Voltage Directive 2014/35/EU

Harmonized Standards Used :

EN 60034-1: 2010 (IEC 60034-1: 2010)

EN 60034-5: 2001/A1:2007 (IEC 60034-5: 2000/A1:2006)

Authorized Representative:



Michael A. Logsdon
Vice President, Technology

Authorized Representative in the Community:



Julian Clark
Marketing Engineer

Created on 09/01/2022

CE 22