

PRODUCT INFORMATION PACKET

Model No: 182TTDB6013

Catalog No: GT2512

Globetrotter® Close-Coupled Pump Motor, 5 HP, 3 Ph, 60 Hz, 575 V, 3600 RPM, 182JP Frame, DP



Regal and Marathon are trademarks of Regal Rexnord Corporation or one of its affiliated companies.

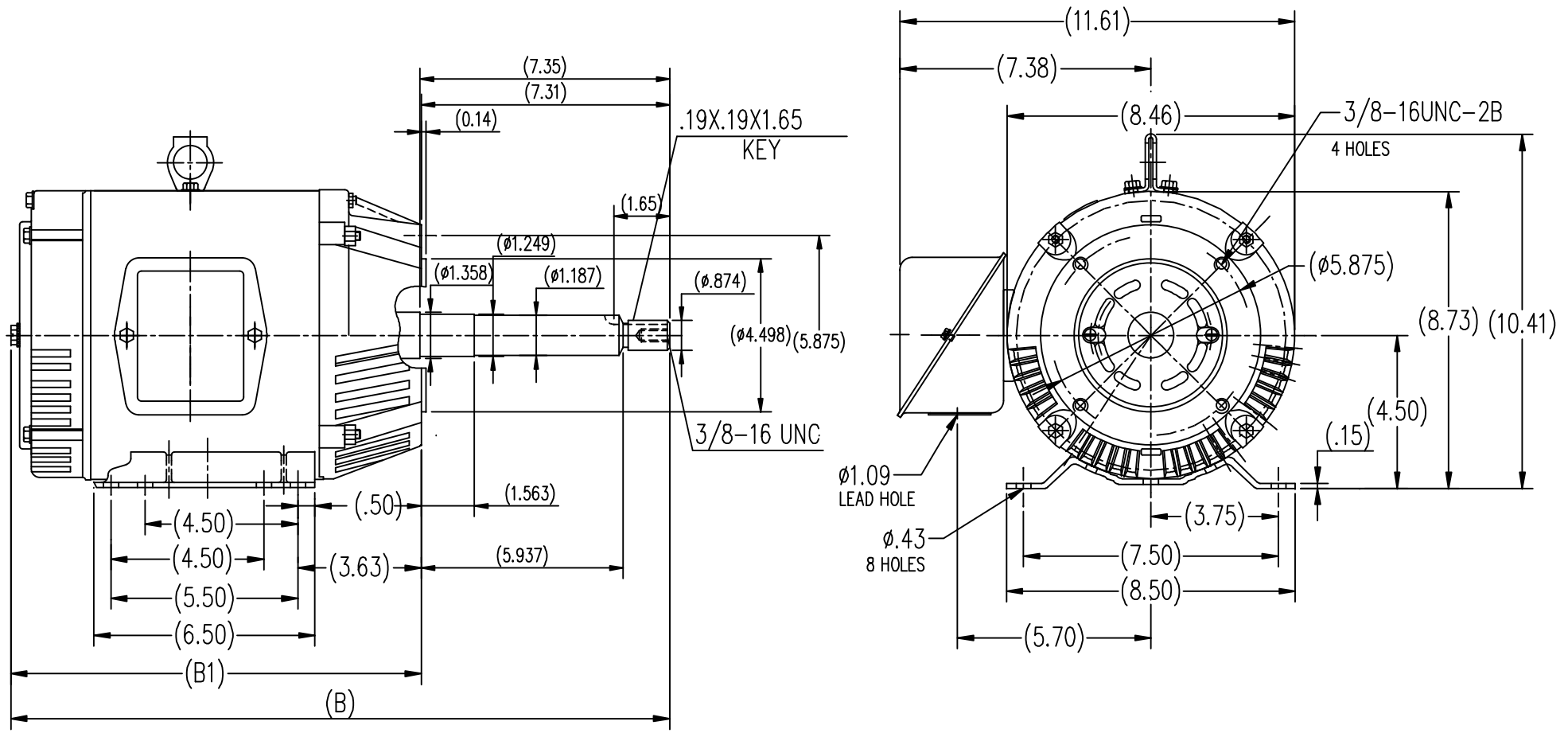
©2023 Regal Rexnord Corporation, All Rights Reserved. MC017097E

Nameplate Specifications

Phase	3	Output HP	5 Hp
Output KW	3.7 kW	Voltage	575 V
Speed	3460 rpm	Service Factor	1.15
Frame	182JP	Enclosure	Drip Proof
Thermal Protection	No Protection	Efficiency	87.5 %
Ambient Temperature	40 °C	Frequency	60 Hz
Current	5.0 A	Power Factor	88
Duty	Continuous	Insulation Class	F
Design Code	B	KVA Code	H
Drive End Bearing Size	6307	Opp Drive End Bearing Size	6205
UL	Recognized	CSA	Y
CE	Y	IP Code	22
Number of Speeds	1		

Technical Specifications

Electrical Type	Squirrel Cage Inverter Rated	Starting Method	Line Or Inverter
Poles	2	Rotation	Reversible
Resistance Main	3.05 Ohms	Mounting	Rigid Base
Motor Orientation	Horizontal	Drive End Bearing	Ball
Opp Drive End Bearing	Ball	Frame Material	Rolled Steel
Shaft Type	JP	Overall Length	19.44 in
Frame Length	6.73 in	Shaft Diameter	0.875 in
Shaft Extension	7.35 in	Assembly/Box Mounting	F1 Only
Inverter Load	VARIABLE 10:1		
Outline Drawing	SS620570-182T	Connection Drawing	EE7300



182T	12.09	19.44
184T	13.11	20.46
FRAME	B1	B

		TOLERANCES UNLESS SPECIFIED				DRAWN ZXC 05-17-2012	
		DEC.	INCHES			CHK	
		.X	±.1	TITLE		APPD	SCALE 1=4
		.XX	±.03	ODP-182/184JP FR-ROLLED STEEL		REF	
		.XXX	±.005	MAT'L.		FMF	HWADA
		.XXXX	±.0005	FINISH		PREV	
NO.	REVISION	BY & DATE	CHK	ANG	±1/2	RFP	CAD FILE
THIS DRAWING IN DESIGN AND DETAIL IS OUR PROPERTY AND MUST NOT BE USED EXCEPT IN CONNECTION WITH OUR WORK ALL RIGHTS OF DESIGN AND INVENTION ARE RESERVED THIS IS AN ELECTRONICALLY GENERATED DOCUMENT - DO NOT SCALE THIS PRINT				SS620570		SIZE	DRAWING NO.
				DIST		B	SS620570
						REV.	

THREE PHASE - SINGLE VOLTAGE
MOTOR - CONDUIT BOX @ 'A'

TERMINAL BLOCK WHEN SPECIFIED

TO REVERSE ROTATION:
INTERCHANGE ANY TWO LINE
LEAD CONNECTIONS



VIEW OF TERMINAL END

OPTIONAL CORD CONNECTION

L1	WHITE
L2	RED
L3	BLACK

DRAWING REVISION AC	REVISION BY BS	REV DATE/© DATE 26/07/2022
REQUEST NUMBER CR-0010402	APPROVED BY SN	DATE 26/07/2022
REQUEST NUMBER DESCRIPTION DRAWING UPDATED		
<small>COPYRIGHT (PER REVISION DATE) REGAL BELOIT AMERICA, INC. ALL RIGHTS RESERVED. PROPRIETARY AND CONFIDENTIAL INFORMATION - THIS DOCUMENT IS THE PROPERTY OF REGAL BELOIT AMERICA, INC. ("OWNER") AND CONTAINS OWNER'S PROPRIETARY INFORMATION. ANY PERSON, CORPORATION OR OTHER FIRM RECEIVING IT IS DEEMED, BY RECEIVING IT, TO AGREE THAT IT, AND/OR ANY PART OF IT, SHALL NOT BE DISCLOSED TO ANY PERSON, CORPORATION OR OTHER ENTITY, DUPLICATED, AND/OR USED, EXCEPT AS EXPRESSLY APPROVED IN WRITING IN ADVANCE BY OWNER. THIS DOCUMENT SHALL BE RETURNED TO OWNER UPON REQUEST. IT MAY BE SUBJECT TO CERTAIN RESTRICTIONS UNDER APPLICABLE EXPORT CONTROL LAWS AND REGULATIONS.</small>		

PRIMARY DIMENSIONS ARE INCH
mm DIMENSIONS IN [BRACKETS]
ARE FOR REFERENCE ONLY

DRAWN BY DA
DATE 03-26-1993
APPROVED BY TB
DATE 03-26-1993
REFERENCE
THIRD ANGLE PROJECTION

		Regal Beloit America, Inc.	
DESCRIPTION CONNECTION DIAGRAM EXTERNAL - SINGLE VOLTAGE - 3Ø MOTOR			
MATERIAL		PROCESS/FINISH	
SIZE A	DRAWING NUMBER EE7300		SHEET 1 OF 1

Data Sheet

Date: 6/20/2017

182TTDB6013

Customer: _____



Submittal

Attention: _____

Data @ 575 V

Submitted by: FAREEDA DUDEKULA

Motor Load Data

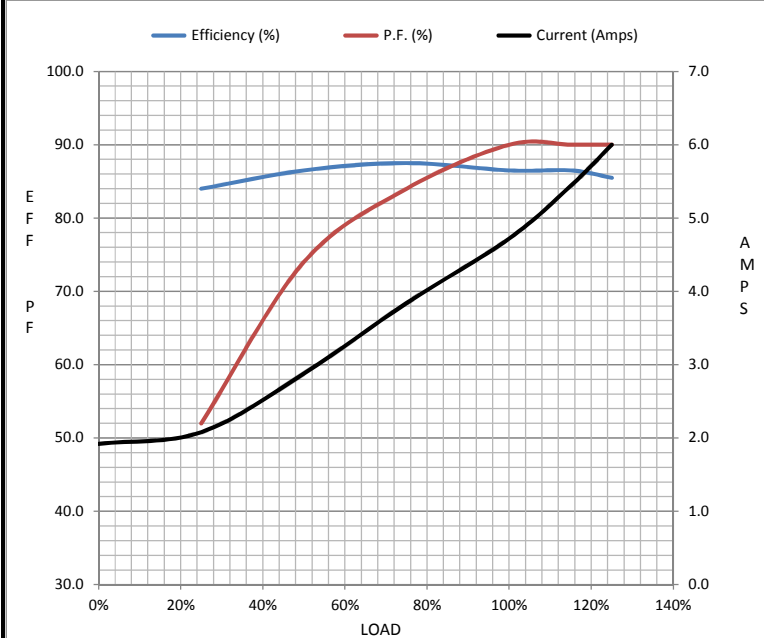
Load	0%	25%	50%	75%	100%	115%	125%	LR
Current (Amps)	1.92	2.08	2.88	3.8	4.7	5.4	6.0	30.4
Torque (ft-lb)	0.00	1.80	3.7	5.6	7.6	8.8	9.6	17.0
RPM	3600	3570	3538	3502	3495	3,475	3450	0
Efficiency (%)		84.0	86.5	87.5	86.5	86.5	85.5	
P.F. (%)	7.0	52.0	74.0	84.0	90.0	90.0	90.0	61.0

Motor Speed Data

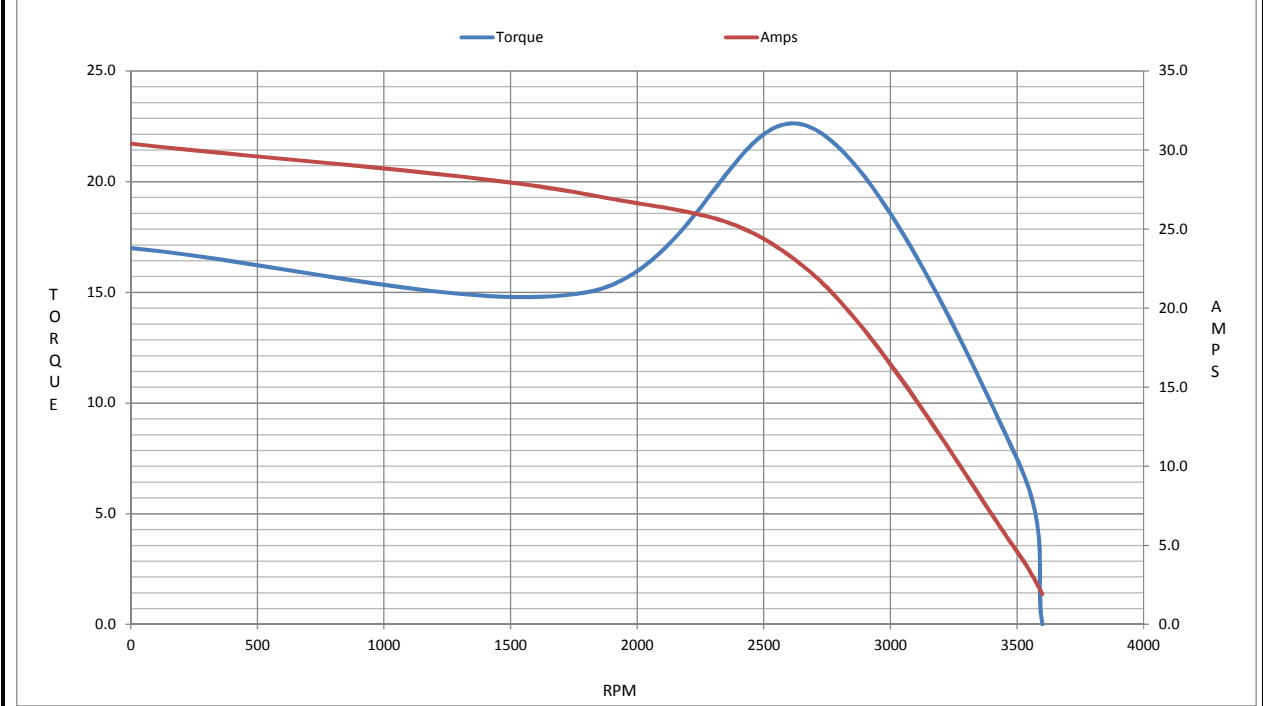
	LR	Pull-Up	BD	Rated	Idle
Speed (RPM)	0	1800	2675	3495	3600
Current (Amps)	30.4	27.2	22.4	4.7	1.92
Torque (ft-lb)	17.0	15.0	22.5	7.6	0.00

Information Block

HP	5.0			
Sync. RPM	3600			
Frame	182			
Enclosure	DP			
Construction	TDB			
Voltage	575 V			
Frequency	60 Hz			
Design	B			
LR Code letter	H			
Service Factor	1.15			
Temp Rise @ FL	55 °C			
Duty	CONT			
Ambient	40 °C			
Elevation	1,000 feet			
Rotor/Shaft wk ²	0.20 Lb-Ft ²			
Ref Wdg	CHT18220006 NONE			
Sound Pressure @ 1M	55 dBA			
VFD Rating	VARIABLE 10:1			
Outline Dwg	SS620570			
Conn. Diag	EE7300			
Additional Specifications:				
0				
0				
EQUIV CKT (OHMS / PHASE)				
R1	R2	X1	X2	Xm
2.8350	2.0380	6.9550	3.1010	255.5930



Speed -Torque Curve



EC Declaration of Conformity

The undersigned representing
the manufacturer:

Regal Beloit America
100 East Randolph St.
Wausau, WI 54401

and the authorized representative
established within the Community:

Marathon Electric UK
6F Thistleton Road Ind. Estate
Market Overton
Oakham, Rutland LE15 7PP UK

are committed to providing customers with products that comply with applicable regulations and international protocols to which they are subject, including the requirements of the European Parliament Directive on the Harmonization of the laws relating to electrical equipment designed for use within certain voltage limits (2014/35/EU).

Regal Beloit America declares that the following product(s), to which this declaration relates, are in conformity with the relevant sections of the EC standards listed below.

This statement supersedes any statements previously issued pertaining to the product(s) listed below and is subject to change without notice.

Model No : 182TTDB6013

(Model No. may contain prefix and/or suffix characters)

Catalog No : GT2512

Rework No : N/A

Directives :

Low Voltage Directive 2014/35/EU

Harmonized Standards Used :

EN 60034-1: 2010 (IEC 60034-1: 2010)

EN 60034-5: 2001/A1:2007 (IEC 60034-5: 2000/A1:2006)

Authorized Representative:



Michael A. Logsdon
Vice President, Technology

Authorized Representative in the Community:



Julian Clark
Marketing Engineer

Created on 09/01/2022

CE 22