

PRODUCT INFORMATION PACKET

Model No: 182TPFRB10194

Catalog No: SY066

SyMAX® Fan & Blower Motor, 3 HP, 3 Ph, 90 Hz, 230/460 V, 1800 RPM, 182TC Frame, TEFC



Regal and Marathon are trademarks of Regal Rexnord Corporation or one of its affiliated companies.

©2023 Regal Rexnord Corporation, All Rights Reserved. MC017097E

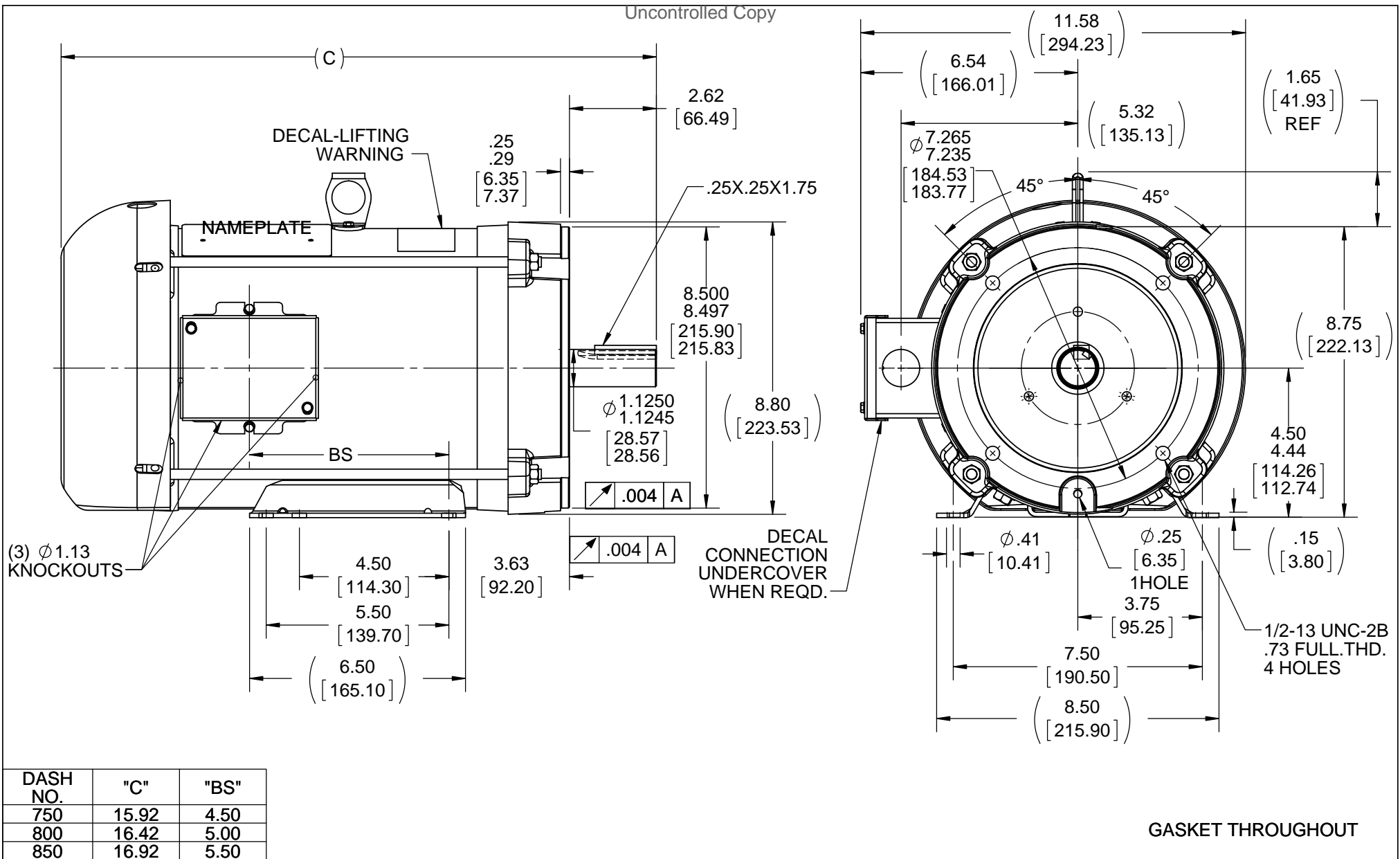


Nameplate Specifications

| | | | |
|------------------------|-----------------------|----------------------------|------------------------------------|
| Phase | 3 | Output HP | 3 Hp |
| Output KW | 2.2 kW | Voltage | 230/460 V |
| Speed | 1800 rpm | Service Factor | 1 |
| Frame | 182TC | Enclosure | Totally Enclosed Fan Cooled |
| Thermal Protection | Thermostat | Efficiency | 91.4 % |
| Ambient Temperature | 40 °C | Frequency | 90 Hz |
| Current | 6.6/3.3 A | Power Factor | 85 |
| Duty | Continuous | Insulation Class | F |
| Design Code | No Design Code | KVA Code | N/A |
| Drive End Bearing Size | 6207 | Opp Drive End Bearing Size | 6205 |
| UL | Recognized | CSA | Y |
| CE | N | IP Code | 43 |
| Number of Speeds | 1 | | |

Technical Specifications

| | | | |
|-----------------------|---------------------------------|-----------------------|----------------------|
| Electrical Type | AC Permanent Magnet | Starting Method | Inverter Only |
| Poles | 6 | Rotation | Reversible |
| Resistance Main | 0 Ohms | Mounting | Bolt-on Base |
| Motor Orientation | Horizontal Or Shaft Down | Drive End Bearing | Ball |
| Opp Drive End Bearing | Ball | Frame Material | Rolled Steel |
| Shaft Type | T | Overall Length | 16.42 in |
| Frame Length | 8.00 in | Shaft Diameter | 1.125 in |
| Shaft Extension | 2.75 in | Assembly/Box Mounting | F1 ONLY |
| Inverter Load | CONSTANT 20:1 | | |
| Connection Drawing | A-EE7308T | Outline Drawing | 036316-800 |



| DASH NO. | "C" | "BS" |
|----------|-------|------|
| 750 | 15.92 | 4.50 |
| 800 | 16.42 | 5.00 |
| 850 | 16.92 | 5.50 |

| | | |
|---|-------------|------|
| DRAWING REVISION A | REVISION BY | DATE |
| ECO ECO-0121547 | APPROVED BY | DATE |
| ECO DESCRIPTION NEW DRAWING | | |
| <p>COPYRIGHT REGAL BELOIT AMERICA, INC. ALL RIGHTS RESERVED. PROPRIETARY AND CONFIDENTIAL INFORMATION - THIS DOCUMENT IS THE PROPERTY OF REGAL BELOIT AMERICA, INC. ("OWNER") AND CONTAINS OWNER'S PROPRIETARY INFORMATION. ANY PERSON, CORPORATION OR OTHER FIRM RECEIVING IT IS DEEMED, BY RECEIVING IT, TO AGREE THAT IT, AND/OR ANY PART OF IT, SHALL NOT BE DISCLOSED TO ANY PERSON, CORPORATION OR OTHER ENTITY, DUPLICATED, AND/OR USED, EXCEPT AS EXPRESSLY APPROVED IN WRITING IN ADVANCE BY OWNER. THIS DOCUMENT SHALL BE RETURNED TO OWNER UPON REQUEST. IT MAY BE SUBJECT TO CERTAIN RESTRICTIONS UNDER APPLICABLE EXPORT CONTROL LAWS AND REGULATIONS.</p> | | |

| TOLERANCES UNLESS OTHERWISE SPECIFIED: | | | |
|---|---------|-----------|-------|
| DEC. | INCH | mm | ANGLE |
| .X | ±0.1 | [±2.5] | ±0.5° |
| .XX | ±0.01 | [±0.25] | |
| .XXX | ±0.005 | [±0.127] | |
| .XXXX | ±0.0005 | [±0.0127] | |
| REMOVE BURRS & BREAK SHARP EDGES: .003/.015 [.076/.381] X 45° | | | |
| CORNER FILLETS: R.02 [.51] | | | |
| MACHINED SURFACES: 125 / 3.2 INCH / mm | | | |
| mm SHOWN IN [BRACKETS] | | | |

| |
|------------------------|
| DRAWN BY SR |
| DATE 04/11/2017 |
| APPROVED BY SR |
| DATE 04/11/2017 |
| REFERENCE 036225 |
| THIRD ANGLE PROJECTION |

| | |
|--|---------------------------------|
| Regal Beloit America, Inc. | |
| DESCRIPTION OUTLINE 180T-FRAME TEFC BOLT ON-C_FACE-PMAC | |
| MATERIAL | PROCESS/FINISH |
| SIZE A | DRAWING NUMBER 036316 |
| SHEET 1 OF 1 | |

HIGH VOLTAGE



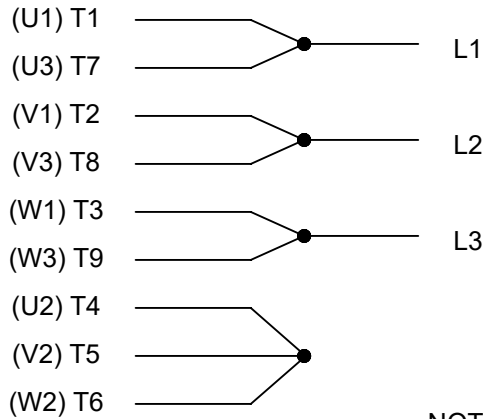
**THREE PHASE
DUAL VOLTAGE MOTOR**

THERMO-PROTECTORS
CONNECTED IN SERIES



NOTE FOR FACTORY USE ONLY:
TO SURGE TEST FOR COMMON CONNECT:
HIGH VOLT: CONNECT P1 TO T1
THEN P2 TO L1
LOW VOLT: CONNECT P1 TO T1 & T7,
THEN P2 TO L1

LOW VOLTAGE



VIEW OF TERMINAL END

NOTE: LEAD'S COLOR CAN BE YELLOW OR WHITE FOR MT2 PLANT

| | | | | | |
|---|-------------------|--------------------|----------------------------|---------------------------|---|
| DRAWING REVISION T | REVISION BY ZR | DATE 01-14-2019 | | DRAWN BY SMC | Regal Beloit America, Inc. |
| ECO ECO-0159915 | APPROVED BY DR | DATE 01-15-2019 | | DATE 05-13-1992 | |
| ECO DESCRIPTION ADDED TERMINAL CONNECTION DIAGRAM | | | | APPROVED BY TB | DESCRIPTION CONN DIAGRAM-INTERNAL 3 PHASE - DUAL VOLTAGE MOTOR |
| <small>COPYRIGHT REGAL BELOIT AMERICA, INC. ALL RIGHTS RESERVED. PROPRIETARY AND CONFIDENTIAL INFORMATION - THIS DOCUMENT IS THE PROPERTY OF REGAL BELOIT AMERICA, INC. ("OWNER") AND CONTAINS OWNER'S PROPRIETARY INFORMATION. ANY PERSON, CORPORATION OR OTHER FIRM RECEIVING IT IS DEEMED, BY RECEIVING IT, TO AGREE THAT IT, AND/OR ANY PART OF IT, SHALL NOT BE DISCLOSED TO ANY PERSON, CORPORATION OR OTHER ENTITY, DUPLICATED, AND/OR USED, EXCEPT AS EXPRESSLY APPROVED IN WRITING IN ADVANCE BY OWNER. THIS DOCUMENT SHALL BE RETURNED TO OWNER UPON REQUEST. IT MAY BE SUBJECT TO CERTAIN RESTRICTIONS UNDER APPLICABLE EXPORT CONTROL LAWS AND REGULATIONS.</small> | | | | DATE 05-13-1992 | MATERIAL |
| | | | REFERENCE EE7308/EE7300 | THIRD ANGLE PROJECTION | SIZE A |

CERTIFICATION DATA SHEET

Model#: 182TPFRB10194 AA **WINDING#:** PM18406011 NONE 1
CONN. DIAGRAM: A-EE7308T **ASSEMBLY:** F1 ONLY
OUTLINE: 036316-800

TYPICAL MOTOR PERFORMANCE DATA

| HP | KW | SYNC. RPM | F.L. RPM | FRAME | ENCLOSURE | KVA CODE | DESIGN |
|----|------|-----------|----------|-------|-----------|-------------|--------|
| 3 | 2.24 | 1800 | 1800 | 182TC | TEFC | NO KVA CODE | PM |

| PH | Hz | VOLTS | FL AMPS | START TYPE | DUTY | INSL | S.F | AMB°C | ELEVATION |
|----|----|---------|---------|---------------|------------|------|-----|-------|-----------|
| 3 | 90 | 230/460 | 6.6/3.3 | INVERTER ONLY | CONTINUOUS | F1 | 1.0 | 40 | 3300 |

| FULL LOAD EFF: 91.4 | 3/4 LOAD EFF: 91 | 1/2 LOAD EFF: 89.7 | GTD. EFF | ELEC. TYPE | NO LOAD AMPS |
|---------------------|------------------|--------------------|----------|---------------------|--------------|
| FULL LOAD PF: 85 | 3/4 LOAD PF: 85 | 1/2 LOAD PF: 85 | 91 | AC PERMANENT MAGNET | 1 / .5 |

| F.L. TORQUE | LOCKED ROTOR AMPS | L.R. TORQUE | B.D. TORQUE | F.L. RISE°C |
|-------------|-------------------|-------------|-------------|-------------|
| 8.753 LB-FT | / | - LB-FT - | - LB-FT - | 36 |

| SOUND PRESSURE @ 3 FT. | SOUND POWER | ROTOR WK^2 | MAX. WK^2 | SAFE STALL TIME | STARTS /HOUR | APPROX. MOTOR WGT |
|------------------------|-------------|--------------|-----------|-----------------|--------------|-------------------|
| 0 dBA | 10 dBA | 0.19 LB-FT^2 | 0 LB-FT^2 | 0 SEC. | 0 | 75 LBS. |

EQUIVALENT WYE CKT.PARAMETERS (OHMS PER PHASE)

| R1 | R2 | X1 | X2 | XM |
|----|------|------|------|-----|
| 0 | 2.84 | 47.8 | 92.9 | 218 |

| RM | ZREF | XR | TD | TD0 |
|----|------|----|----|-----|
| 0 | 1 | 0 | 0 | 0 |

***** SUPPLEMENTAL INFORMATION *****

| DE BRACKET TYPE | ODE BRACKET TYPE | MOUNT TYPE | ORIENTATION | SEVERE DUTY | HAZARDOUS LOCATION | DRIP COVER | SCREENS | PAINT |
|-----------------|------------------|------------|--------------------------|-------------|--------------------|------------|---------|---------------|
| C-FACE | STANDARD | BOLT-ON | HORIZONTAL OR SHAFT DOWN | FALSE | NONE | FALSE | NONE | BLACK (EPOXY) |

| BEARINGS | | GREASE | SHAFT TYPE | SPECIAL DE | SPECIAL ODE | SHAFT MATERIAL | FRAME MATERIAL |
|----------|------|------------|------------|------------|-------------|-------------------------|----------------|
| DE | OPE | | | | | | |
| BALL | BALL | POLYREX EM | T | NONE | NONE | 1045 HOT ROLLED (C-204) | ROLLED STEEL |
| 6207 | 6205 | | | | | | |

| THERMO-PROTECTORS | | | | THERMISTORS | CONTROL | SPACE /n HEATERS |
|-------------------|------------|----------|----------|-------------|---------|------------------|
| THERMOSTATS | PROTECTORS | WDG RTDs | BRG RTDs | | | |
| TSTATS 140(N/C) | NOT | NONE | NONE | NONE | FALSE | NONE VOLTS |

If Inverter equals NONE, contact factory for further information

INVERTER TORQUE: CONSTANT 20:1
 INV. HP SPEED RANGE: 1.2 X BASE SPEED

*
N
O
T
E
S

*

| | | | |
|------------------|--------|---------|--|
| ENCODER: NONE | | | |
| NONE | NONE | | |
| NONE | NONE | PPR | |
| BRAKE: NONE NONE | | | |
| NONE | P/N | NONE | |
| NONE | NONE | | |
| NONE FT-LB | NONE V | NONE Hz | |

DATE: 06/27/2017 01:25:27 AM
FORM 3531 REV.3 02/07/99
** Subject to change without notice.