

# PRODUCT INFORMATION PACKET

marathon®  
Motors

Model No: 182THTS19033

Catalog No: W520

3 HP Severe Duty Motor, 3 phase, 1800 RPM, 575 V, 182T Frame, TENV  
Severe Duty Motors



Regal and Marathon are trademarks of Regal Rexnord Corporation or one of its affiliated companies.  
©2021 Regal Rexnord Corporation, All Rights Reserved. MC017097E

RegalRexnord



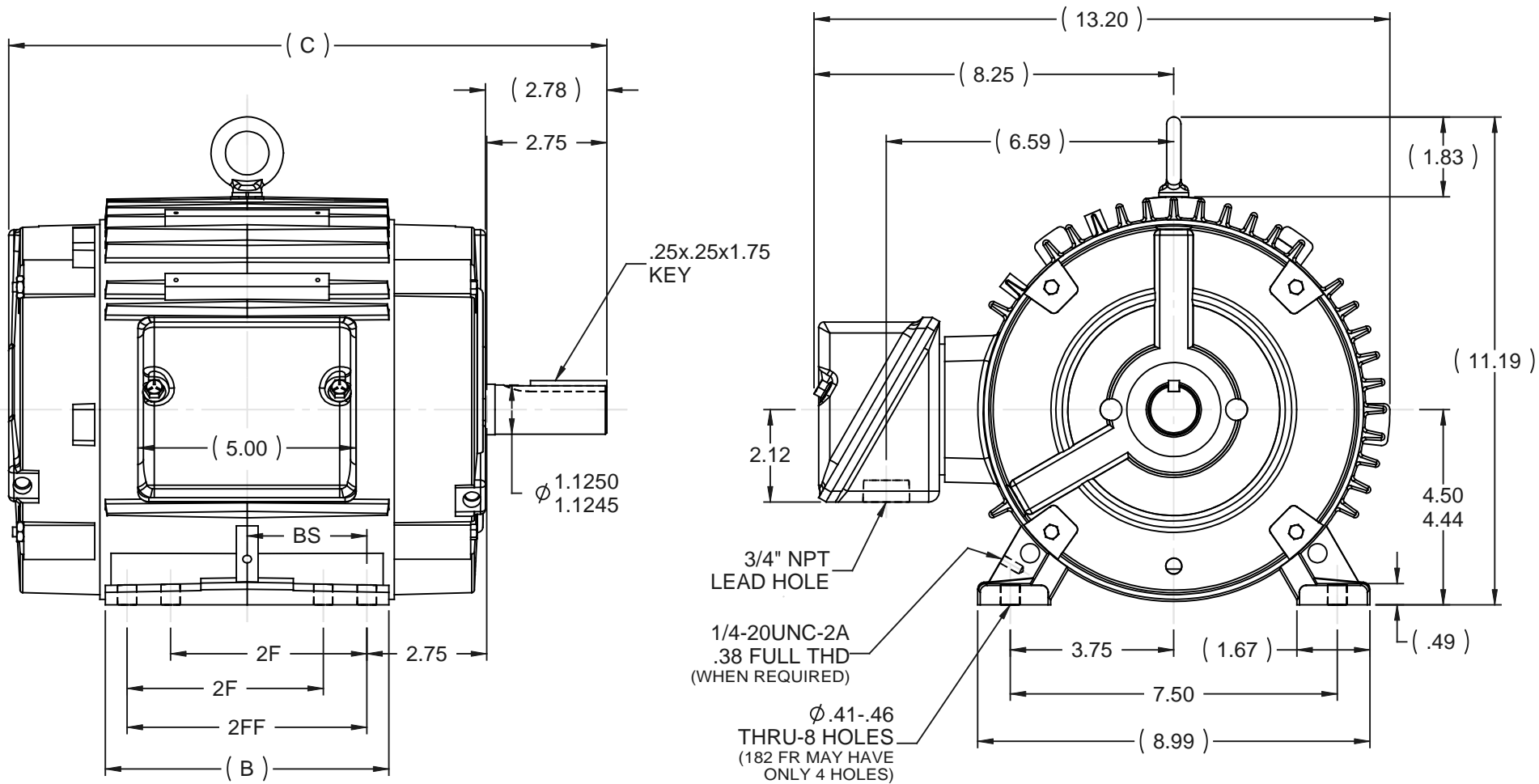
### Nameplate Specifications

Output HP	<b>3 Hp</b>	Output KW	<b>2.2 kW</b>
Frequency	<b>60 Hz</b>	Voltage	<b>575 V</b>
Current	<b>3.2 A</b>	Speed	<b>1760 rpm</b>
Service Factor	<b>1.15</b>	Phase	<b>3</b>
Efficiency	<b>90.2 %</b>	Power Factor	<b>80</b>
Duty	<b>Continuous</b>	Insulation Class	<b>F</b>
Design Code	<b>B</b>	KVA Code	<b>K</b>
Frame	<b>182T</b>	Enclosure	<b>Totally Enclosed Non Ventilated</b>
Thermal Protection	<b>No</b>	Ambient Temperature	<b>40 °C</b>
Drive End Bearing Size	<b>6206</b>	Opp Drive End Bearing Size	<b>6205</b>
UL	<b>Recognized</b>	CSA	<b>Y</b>
CE	<b>Y</b>	IP Code	<b>56</b>
Number of Speeds	<b>1</b>		

### Technical Specifications

Electrical Type	<b>Squirrel Cage Inverter Rated</b>	Starting Method	<b>Line Or Inverter</b>
Poles	<b>4</b>	Rotation	<b>Reversible</b>
Resistance Main	<b>3.76 Ohms</b>	Mounting	<b>Rigid Base</b>
Motor Orientation	<b>Horizontal</b>	Drive End Bearing	<b>Ball</b>
Opp Drive End Bearing	<b>Ball</b>	Frame Material	<b>Cast Iron</b>
Shaft Type	<b>T</b>	Overall Length	<b>12.71 in</b>
Frame Length	<b>5.75 in</b>	Shaft Diameter	<b>1.125 in</b>
Shaft Extension	<b>2.78 in</b>	Assembly/Box Mounting	<b>F1/F2 Capable</b>
Connection Drawing	<b>A-EE7300</b>	Outline Drawing	<b>A-SS69966-575</b>

This is an uncontrolled document once printed or downloaded and is subject to change without notice. Date Created:10/12/2021



**NOTES:**

1. CONDUIT BOX CAN BE ROTATED IN 90° STEPS.
2. CONDUIT BOX CAN BE MOUNTED ON OPPOSITE SIDE BY REMOVING BRACKETS AND TURNING FRAME 180°
3. NAMEPLATES TO BE READ FROM CONDUIT BOX SIDE OF MOTOR.

DASH	FRAME	B	C	BS	2F	2FF
575	182T	5.50	12.71	2.25	--	4.50
675	184T	6.50	13.71	2.75	4.50	5.50
800	184T	7.75	14.96	3.38	5.50	6.75

		TOLERANCES UNLESS SPECIFIED				DRAWN TJW 5/19/2009	
		DEC	INCHES			CHK CTO 5/19/2009	
		.X	±.1			APPR EH 5/19/2009	
		.XX	±.03			SCALE 9:32	
		.XXX	±.005			REF SS68833	
		.XXXX	±.0005	MAT'L		FMF CN09-1258	
NO	REVISION	BY & DATE	CHK	ANG	±7'30"	FINISH	PAGE OF
THIRD ANGLE PROJECTION		RFP 5/19/2009		PREV		SIZE	DRAWING NO
		NETWORK FILE NAME SS69966				<b>A</b>	<b>SS69966</b>
							REV

**THREE PHASE - SINGLE VOLTAGE  
MOTOR - CONDUIT BOX @ 'A'**

**TO REVERSE ROTATION:  
INTERCHANGE ANY TWO  
LINE LEAD CONNECTIONS.**

**TERMINAL BLOCK WHEN SPECIFIED**



**VIEW OF TERMINAL END**

**IF MOTOR HAS  
6 LEADS**



**A-9806 DECAL**

**OPTIONAL CORD  
CONNECTION**



DRAWING REVISION <b>AB</b>	REVISION BY <b>JJB</b>	DATE <b>06-27-2017</b>
ECO <b>ECO-0125361</b>	APPROVED BY <b>TB</b>	DATE <b>06-27-2017</b>
ECO DESCRIPTION <b>UPDATED TO CURRENT STANDARDS</b>		
<small>COPYRIGHT REGAL BELOIT AMERICA, INC. ALL RIGHTS RESERVED.                  PROPRIETARY AND CONFIDENTIAL INFORMATION - THIS DOCUMENT IS THE PROPERTY OF                  REGAL BELOIT AMERICA, INC. ("OWNER") AND CONTAINS OWNER'S PROPRIETARY                  INFORMATION. ANY PERSON, CORPORATION OR OTHER FIRM RECEIVING IT IS DEEMED,                  BY RECEIVING IT, TO AGREE THAT IT, AND/OR ANY PART OF IT, SHALL NOT BE DISCLOSED                  TO ANY PERSON, CORPORATION OR OTHER ENTITY, DUPLICATED, AND/OR USED, EXCEPT                  AS EXPRESSLY APPROVED IN WRITING IN ADVANCE BY OWNER. THIS DOCUMENT SHALL                  BE RETURNED TO OWNER UPON REQUEST. IT MAY BE SUBJECT TO CERTAIN                  RESTRICTIONS UNDER APPLICABLE EXPORT CONTROL LAWS AND REGULATIONS.</small>		



DRAWN BY <b>DA</b>
DATE <b>03-26-1993</b>
APPROVED BY <b>TB</b>
DATE <b>03-26-1993</b>
REFERENCE
THIRD ANGLE PROJECTION

<b>Regal Beloit America, Inc.</b>	
DESCRIPTION <b>CONNECTION DIAGRAM EXTERNAL - SINGLE VOLTAGE - 3Ø MOTOR</b>	
MATERIAL	PROCESS/FINISH
SIZE <b>A</b>	DRAWING NUMBER <b>EE7300</b>
SHEET <b>1 OF 1</b>	



Data Sheet

Date: 6/29/2017

182THTS19033

Customer: \_\_\_\_\_



Attention: \_\_\_\_\_

Submittal

Submitted by: FAREEDA DUDEKULA

Data @ 575 V

Motor Load Data

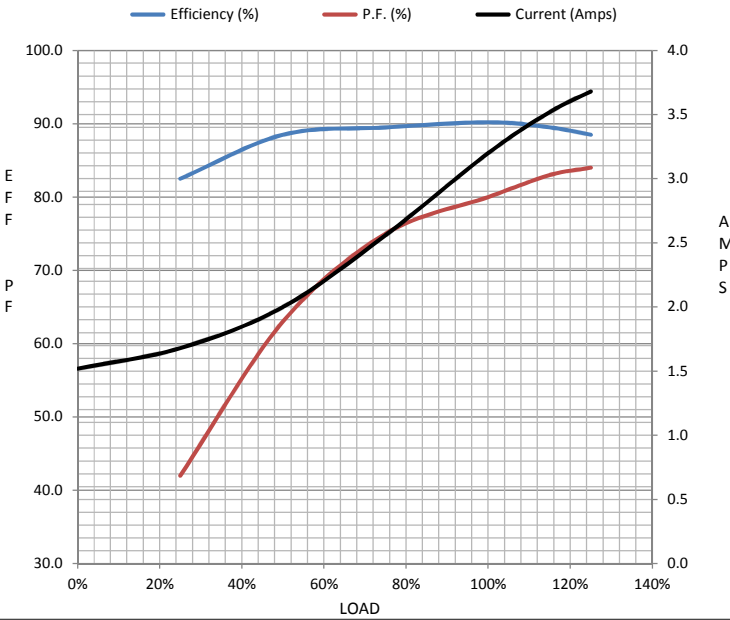
Load	0%	25%	50%	75%	100%	115%	125%	LR
Current (Amps)	1.52	1.68	2.00	2.56	3.2	3.5	3.7	25.6
Torque (ft-lb)	0.00	2.20	4.4	6.7	9.0	10.4	11.2	22.5
RPM	1800	1790	1780	1770	1760	1,755	1750	0
Efficiency (%)		82.5	88.5	89.5	90.2	89.5	88.5	
P.F. (%)	6.5	42.0	63.0	75.0	80.0	83.0	84.0	47.0

Motor Speed Data

	LR	Pull-Up	BD	Rated	Idle
Speed (RPM)	0	750	1500	1760	1800
Current (Amps)	25.6	24.0	18.4	3.2	1.52
Torque (ft-lb)	22.5	20.0	35.0	9.0	0.00

Information Block

HP	3.0
Sync. RPM	1800
Frame	182
Enclosure	TEFC
Construction	TFS
Voltage	575 V
Frequency	60 Hz
Design	B
LR Code letter	K
Service Factor	1.15
Temp Rise @ FL	60 °C
Duty	CONT
Ambient	40 °C
Elevation	1,000 feet
Rotor/Shaft wk <sup>2</sup>	0.40 Lb-Ft <sup>2</sup>
Ref Wdg	K1824116 NONE
Sound Pressure @ 1M	62 dBA
VFD Rating	CONSTANT 2:1
Outline Dwg	A-SS69966-575
Conn. Diag	A-EE7300



EQUIV CKT (OHMS / PHASE)				
R1	R2	X1	X2	Xm
3.6770	2.5250	7.9440	12.3440	203.7660

Speed -Torque Curve

