

PRODUCT INFORMATION PACKET

Model No: 182THTCD9001

Catalog No: W517A

XRI®-841 Severe Duty Motor, 3 HP, 3 Ph, 60 Hz, 460 V, 3600 RPM, 182T Frame, TENV



Regal and Marathon are trademarks of Regal Rexnord Corporation or one of its affiliated companies.

©2024 Regal Rexnord Corporation, All Rights Reserved. MC017097E

Nameplate Specifications

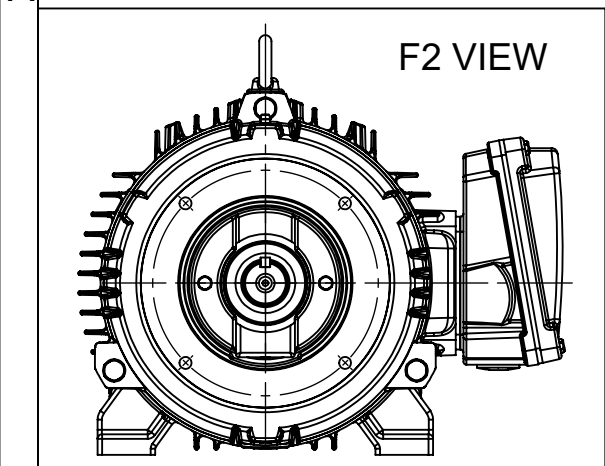
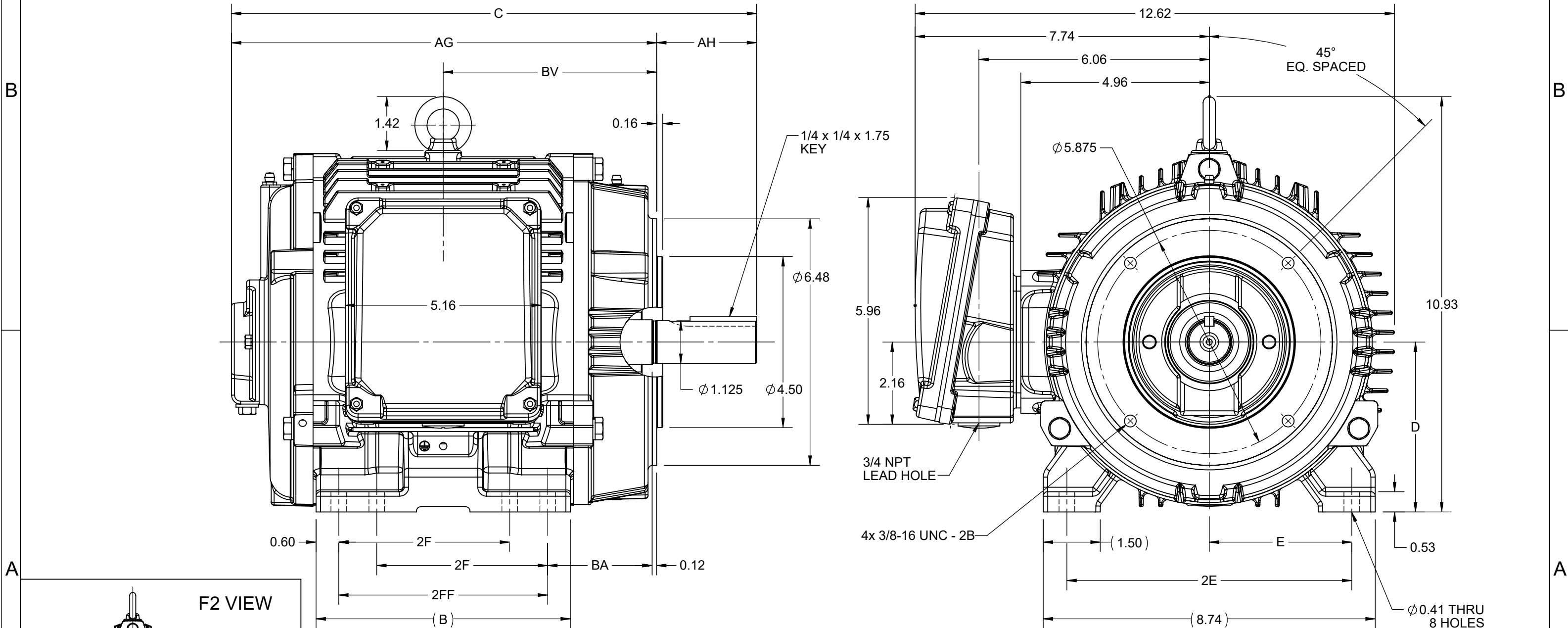
Phase	3	Output HP	3 Hp
Output KW	2.2 kW	Voltage	460 V
Speed	3527 rpm	Service Factor	1.15
Frame	182T	Enclosure	Totally Enclosed Non Ventilated
Thermal Protection	No Protection	Efficiency	89.5 %
Ambient Temperature	40 °C	Frequency	60 Hz
Current	3.5 A	Power Factor	89
Duty	Continuous	Insulation Class	H
Design Code	B	KVA Code	K
Drive End Bearing Size	6206	Opp Drive End Bearing Size	6205
UL	Listed	CSA	Y
CE	Y	IP Code	56
Number of Speeds	1	Hazardous Location	DIVISION 2 T2B

Technical Specifications

Electrical Type	Squirrel Cage Inverter Rated	Starting Method	Line Or Inverter
Poles	2	Rotation	Reversible
Resistance Main	4.49 Ohms	Mounting	Rigid Base
Motor Orientation	Horizontal	Drive End Bearing	Ball
Opp Drive End Bearing	Ball	Frame Material	Cast Iron
Shaft Type	T	Shaft Diameter	1.125 in
Assembly/Box Mounting	F1/F2 CAPABLE	Inverter Load	CONSTANT 2:1/VARIABLE 10:1
Outline Drawing	SS600211-200	Connection Drawing	EE7300

This is an uncontrolled document once printed or downloaded and is subject to change without notice. Date Created:10/18/2024

4				3				2				1	
DASH NO.	B	C	D	E	2E	2F	2FF	AG	AH	BA	BV	MOUNTING	FRAME
100	5.67	12.82	4.50	3.75	7.50	-	4.50	10.20	2.62	2.75	5.12	F1 OR F2	182TC
200	6.69	13.82				4.50	5.50	11.20			5.62		182/184TC



DRAWING REVISION A	REVISION BY RAM	REV DATE/© DATE 22/08/2022
REQUEST NUMBER CR-0010970	APPROVED BY SBD	DATE 22/08/2022
REQUEST NUMBER DESCRIPTION NEW DRAWING RELEASE		
<small>COPYRIGHT (PER REVISION DATE) REGAL BELOIT AMERICA, INC. ALL RIGHTS RESERVED. PROPRIETARY AND CONFIDENTIAL INFORMATION - THIS DOCUMENT IS THE PROPERTY OF REGAL BELOIT AMERICA, INC. ("OWNER") AND CONTAINS OWNER'S PROPRIETARY INFORMATION. ANY PERSON, CORPORATION OR OTHER FIRM RECEIVING IT IS DEEMED, BY RECEIVING IT, TO AGREE THAT IT, AND/OR ANY PART OF IT, SHALL NOT BE DISCLOSED TO ANY PERSON, CORPORATION OR OTHER ENTITY, DUPLICATED, AND/OR USED, EXCEPT AS EXPRESSLY APPROVED IN WRITING IN ADVANCE BY OWNER. THIS DOCUMENT SHALL BE RETURNED TO OWNER UPON REQUEST. IT MAY BE SUBJECT TO CERTAIN RESTRICTIONS UNDER APPLICABLE EXPORT CONTROL LAWS AND REGULATIONS.</small>		

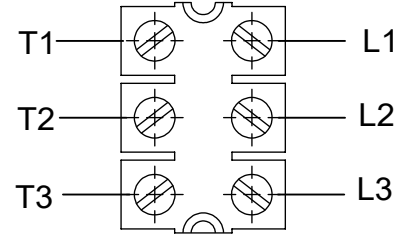
PRIMARY DIMENSIONS ARE INCH
mm DIMENSIONS IN [BRACKETS]
ARE FOR REFERENCE ONLY

DRAWN BY RAM	Regal Beloit America, Inc.
DATE 22/08/2022	
APPROVED BY SBD	DESCRIPTION OUTLINE
DATE 22/08/2022	182/184TC FR-NEMA-TEAO/TENV - 4.5 AK C-FACE KIT
REFERENCE SS600211	MATERIAL PROCESS/FINISH
THIRD ANGLE PROJECTION	SIZE DRAWING NUMBER B SS600211C
	SHEET 1 OF 1

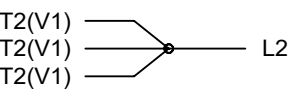
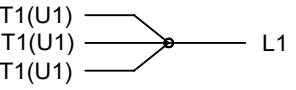
THREE PHASE - SINGLE VOLTAGE
MOTOR - CONDUIT BOX @ 'A'

TERMINAL BLOCK WHEN SPECIFIED

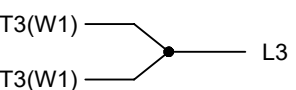
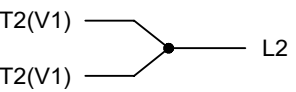
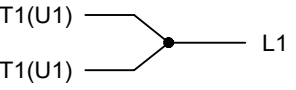
TO REVERSE ROTATION:
INTERCHANGE ANY TWO LINE
LEAD CONNECTIONS



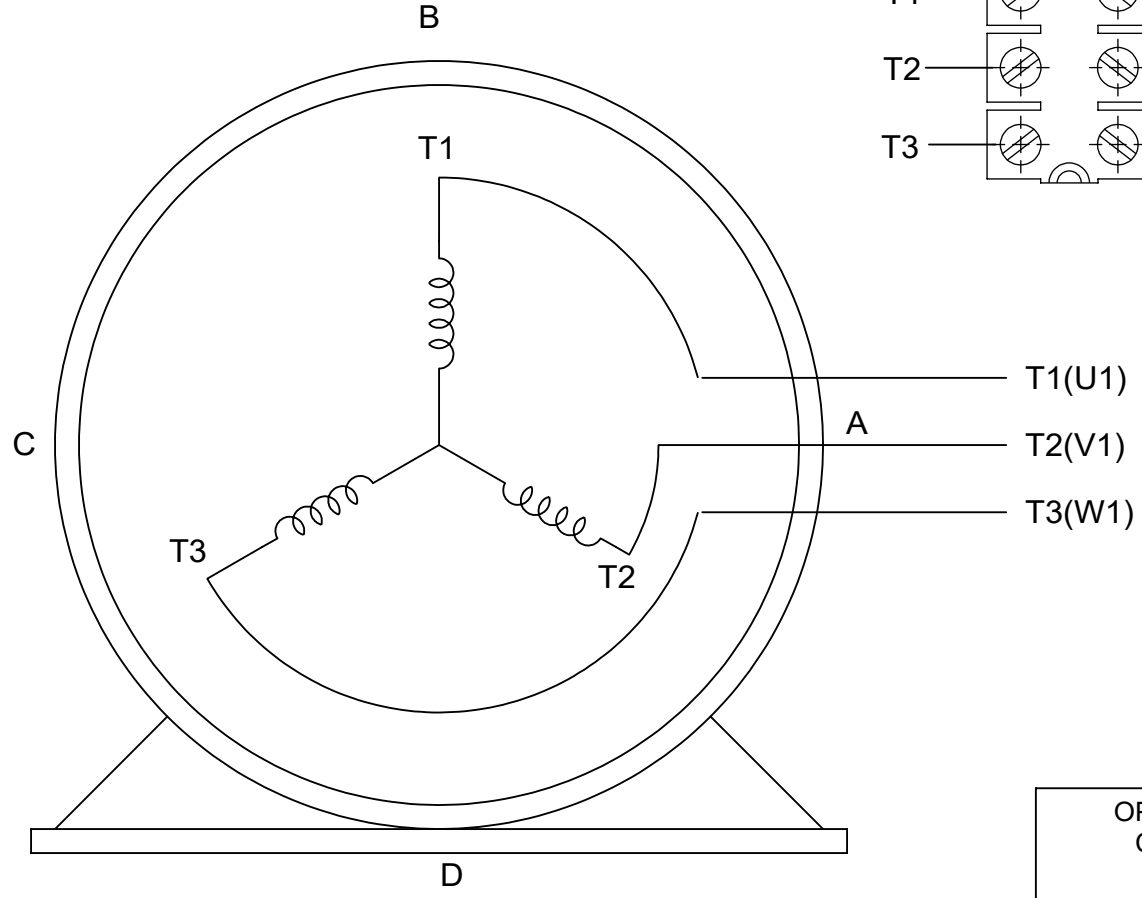
IF MOTOR HAS
9 LEADS



IF MOTOR HAS
6 LEADS



A-9806 DECAL



VIEW OF TERMINAL END

OPTIONAL CORD CONNECTION	
L1	WHITE
L2	RED
L3	BLACK

DRAWING REVISION AC	REVISION BY BS	REV DATE/© DATE 26/07/2022
------------------------	-------------------	-------------------------------

REQUEST NUMBER CR-0010402	APPROVED BY SN	DATE 26/07/2022
------------------------------	-------------------	--------------------

REQUEST NUMBER DESCRIPTION DRAWING UPDATED

PRIMARY DIMENSIONS ARE INCH
mm DIMENSIONS IN [BRACKETS]
ARE FOR REFERENCE ONLY

DRAWN BY DA

DATE 03-26-1993

APPROVED BY TB

DATE 03-26-1993

REFERENCE

Regal Rexnord Regal Beloit America, Inc.

DESCRIPTION CONNECTION DIAGRAM EXTERNAL - SINGLE VOLTAGE - 3Ø MOTOR
--

MATERIAL	PROCESS/FINISH
----------	----------------

COPYRIGHT (PER REVISION DATE) REGAL BELOIT AMERICA, INC. ALL RIGHTS RESERVED. PROPRIETARY AND CONFIDENTIAL INFORMATION - THIS DOCUMENT IS THE PROPERTY OF REGAL BELOIT AMERICA, INC. ("OWNER") AND CONTAINS OWNER'S PROPRIETARY INFORMATION. ANY PERSON, CORPORATION OR OTHER FIRM RECEIVING IT IS DEEMED, BY RECEIVING IT, TO AGREE THAT IT, AND/OR ANY PART OF IT, SHALL NOT BE DISCLOSED TO ANY PERSON, CORPORATION OR OTHER ENTITY, DUPLICATED, AND/OR USED, EXCEPT AS EXPRESSLY APPROVED IN WRITING IN ADVANCE BY OWNER. THIS DOCUMENT SHALL BE RETURNED TO OWNER UPON REQUEST. IT MAY BE SUBJECT TO CERTAIN RESTRICTIONS UNDER APPLICABLE EXPORT CONTROL LAWS AND REGULATIONS.

THIRD ANGLE PROJECTION	
------------------------	--

SIZE A	DRAWING NUMBER EE7300	SHEET 1 OF 1
-----------	--------------------------	-----------------



DATA VOLTS: 460

CERTIFICATION DATA SHEET

CONN. DIAGRAM: EE7300 REFERENCE MODEL #: 182THTCD9001
 OUTLINE: SS600211 CAT #: W517A
 WINDING: HA31122017 NONE 1 MOUNTING: F1/F2 CAPABLE

TYPICAL MOTOR PERFORMANCE DATA

HP	KW	SYNC RPM	FL RPM	FRAME	ENCLOSURE	TYPE	KVA CODE	DESIGN
3	2.2	3600	3527	182T	TENV	TTC	K	B

PH	HZ	VOLTS	AMPS	START TYPE	DUTY	INSL	S.F.	AMB(° C)	ELEV.(Ft)
3	60	460	3.5	LINE OR INVERTER	CONT	H	1.15	40	3300

F.L. EFF	89.5	3/4 LD EFF	89.7	1/2 LD EFF	88.2	GTD EFF	ELECT. TYPE
F.L. PF	89.0	3/4 LD PF	86.5	1/2 LD PF	77.5	88.5	SQ CAGE INV RATED

F.L. TORQUE	LR AMPS @ 460 V	L.R. TORQUE	B.D. TORQUE	F.L. RISE (° C)
4.5 LB-FT	32.7	8.8 LB-FT	14.9 LB-FT	65

SOUND PRESSURE	SOUND	ROTOR WK ²	MAX. LOAD WK ²	SAFE STALL TIME	STARTS/HOUR	APROX. MOTOR WGT
70 dBA	79 dBA	0.21 LB-FT ²	5 LB-FT ²	15 SEC.	2	100 LB.

*** SUPPLEMENTAL INFORMATION ***

DE BRACKET TYPE	ODE BRACKET TYPE	MOUNT TYPE	MOTOR ORIENTATION	SEVERE DUTY	HAZARDOUS LOCATION	DRIP COVER	SCREENS	PAINT
STANDARD	STANDARD	RIGID	HORIZONTAL	PREMIUM SEVERE DUTY	DIVISION 2 T2B	NO	NONE	BLUE (EPOXY)

BEARINGS		GREASE	SHAFT TYPE	SPECIAL DE	SPECIAL ODE	SHAFT MATERIAL	FRAME MATERIAL
DE	ODE	POLYREX EM	T	NONE	NONE	1045 HOT ROLLED (C-204)	CAST IRON
BALL	BALL						
6206	6205						

THERMOSTATS	PROTECTORS	WDG RTD's	BRG RTD's	THERMISTORS	CONTROL	SPACE HEATERS
NONE	NOT	NONE	NONE	NONE	FALSE	NA

R1 (ohms/ph)	R2 (ohms/ph)	X1 (ohms/ph)	X2 (ohms/ph)	Xm (ohms/ph)	VIBRATION (in/sec)
2.638	1.579	5.871	2.591	208.102	0.080

* N O T E S *	If Inverter equals NONE, contact factory for further information	
	INVERTER TORQUE: CONSTANT 2:1/VARIABLE 10:1	
	INV. HP SPEED RANGE: NONE	
	ENCODER: NONE	
	NONE PPR	

PREPARED BY:	DATE: 6/3/2020	BRAKE: NONE	
** Subject to change without notice.		NONE	NONE
FORM: 3531 REV_4 2/27/06		FT-LB: NA	
		VOLTAGE: NONE	HZ:

Data Sheet

Date: 6/3/2020
 Customer: _____
 Attention: _____
 Submitted by: _____

182THTCD9001



Submittal

Data @ 460 V

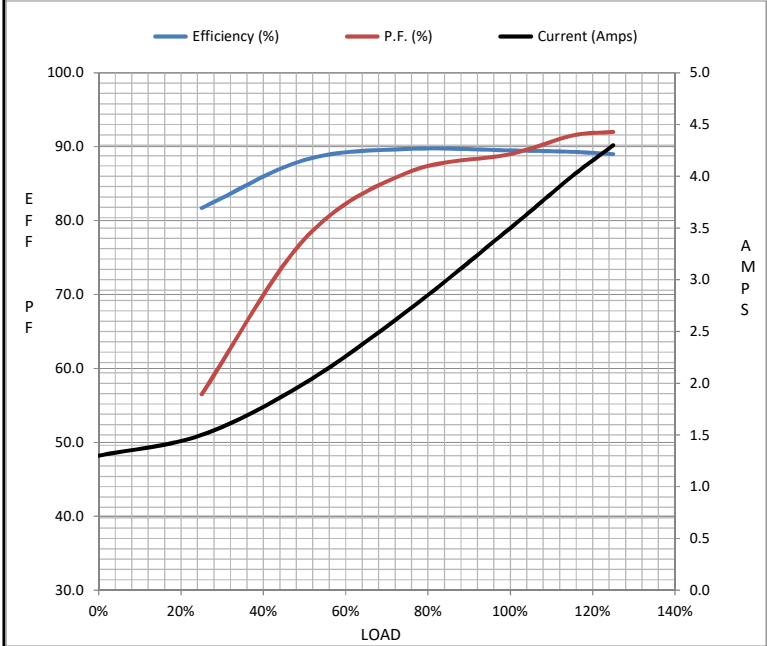
Motor Load Data

Load	0%	25%	50%	75%	100%	115%	125%	LR
Current (Amps)	1.30	1.50	2.00	2.70	3.5	4.0	4.3	32.7
Torque (ft-lb)	0.00	1.10	2.21	3.3	4.5	5.2	5.6	8.8
RPM	3600	3581	3564	3546	3527	3,515	3507	0
Efficiency (%)		81.7	88.2	89.7	89.5	89.3	89.0	
P.F. (%)	11.5	56.5	77.5	86.5	89.0	91.5	92.0	50.0

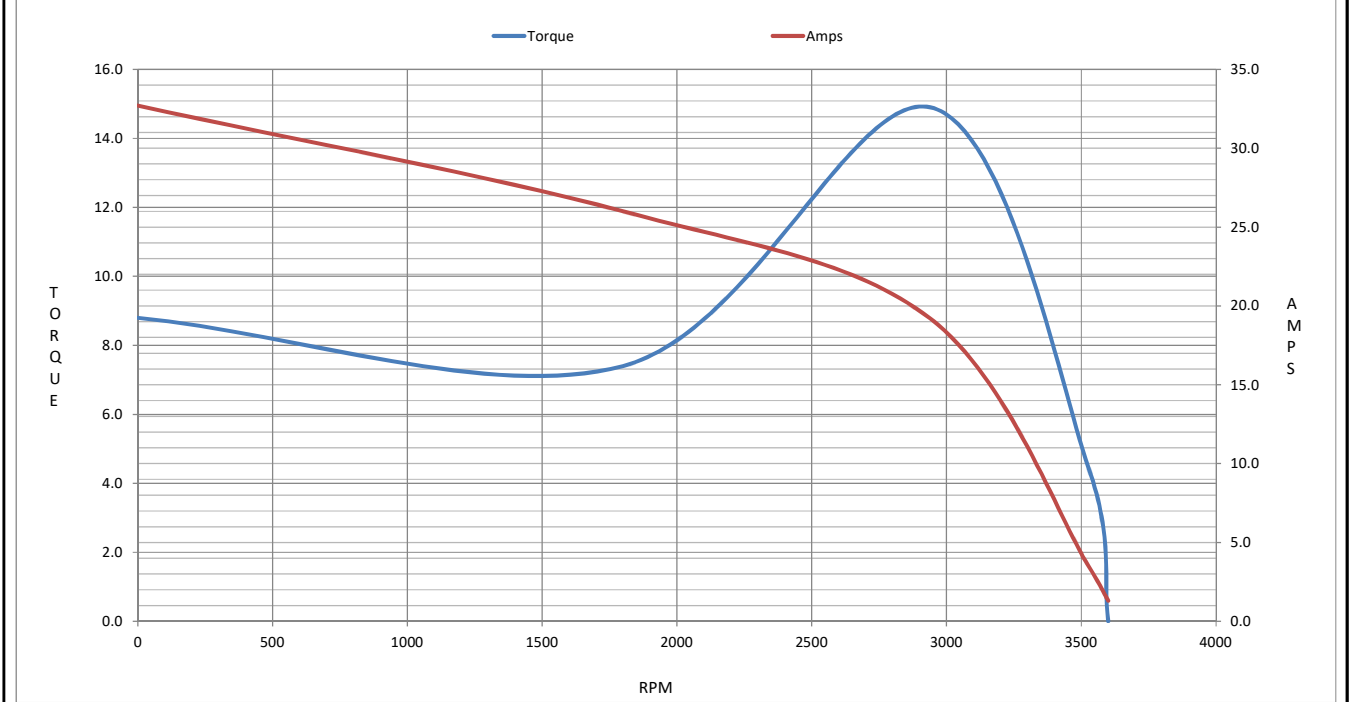
Motor Speed Data

	LR	Pull-Up	BD	Rated	Idle
Speed (RPM)	0	1800	2940	3527	3600
Current (Amps)	32.7	26.0	19.2	3.5	1.30
Torque (ft-lb)	8.8	7.4	14.9	4.5	0.00

Information Block				
HP	3.0			
Sync. RPM	3600			
Frame	160L			
Enclosure	TENV			
Construction	TTC			
Voltage	460 V			
Frequency	60 Hz			
Design	N			
LR Code letter	K			
Service Factor	1.15			
Temp Rise @ FL	65 °C			
Duty	CONT			
Ambient	40 °C			
Elevation	3,300 feet			
Rotor/Shaft wk ²	0.21 Lb-Ft ²			
Ref Wdg	HA31122017 NONE			
Sound Pressure @ 1M	70 dBA			
VFD Rating	CONSTANT 2:1/VARIABLE 10:1			
Outline Dwg	037898-912			
Conn. Diag	EE7300			
Additional Specifications:				
0				
0				
EQUIV CKT (OHMS / PHASE)				
R1	R2	X1	X2	Xm
2.6380	1.5790	5.8710	2.5910	208.1020



Speed - Torque Curve



EC Declaration of Conformity

The undersigned representing
the manufacturer:

Regal Beloit America
100 East Randolph St.
Wausau, WI 54401

and the authorized representative
established within the Community:

Marathon Electric UK
6F Thistleton Road Ind. Estate
Market Overton
Oakham, Rutland LE15 7PP UK

are committed to providing customers with products that comply with applicable regulations and international protocols to which they are subject, including the requirements of the European Parliament Directive on the Harmonization of the laws relating to electrical equipment designed for use within certain voltage limits (2014/35/EU).

Regal Beloit America declares that the following product(s), to which this declaration relates, are in conformity with the relevant sections of the EC standards listed below.

This statement supersedes any statements previously issued pertaining to the product(s) listed below and is subject to change without notice.

Model No : 182THTCD9001

(Model No. may contain prefix and/or suffix characters)

Catalog No : W517A

Rework No : N/A

Directives :

Low Voltage Directive 2014/35/EU

Harmonized Standards Used :

EN 60034-1: 2010 (IEC 60034-1: 2010)

EN 60034-5: 2001/A1:2007 (IEC 60034-5: 2000/A1:2006)

Authorized Representative:



Michael A. Logsdon
Vice President, Technology

Authorized Representative in the Community:



Julian Clark
Marketing Engineer

Created on 09/01/2022

CE 22