

PRODUCT INFORMATION PACKET

Model No: 182THTCD8048

Catalog No: Y988A

Blue Max® Inverter Duty Encoder Motor, 3 HP, 3 Ph, 60 Hz, 230/460 V, 1800 RPM, 182TC Frame, TENV



Regal and Marathon are trademarks of Regal Rexnord Corporation or one of its affiliated companies.
©2023 Regal Rexnord Corporation, All Rights Reserved. MC017097E

Nameplate Specifications

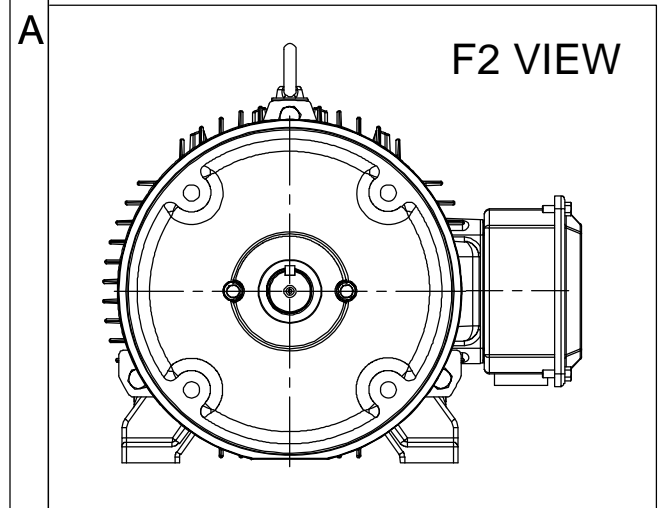
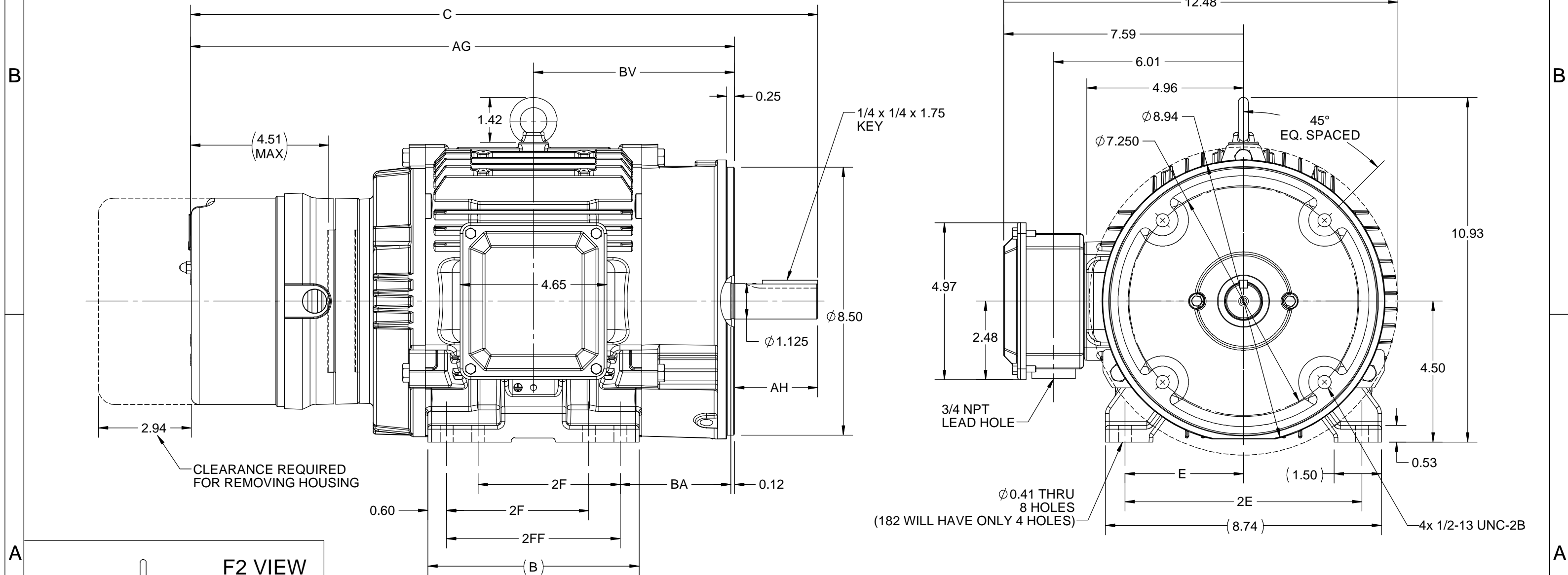
Phase	3	Output HP	3 Hp
Output KW	2.2 kW	Voltage	230/460 V
Speed	1765 rpm	Service Factor	1
Frame	182TC	Enclosure	Totally Enclosed Non Ventilated
Thermal Protection	Thermostat	Efficiency	89.5 %
Ambient Temperature	40 °C	Frequency	60 Hz
Current	8.0/4.0 A	Power Factor	79
Duty	Continuous	Insulation Class	H
Design Code	INV	KVA Code	L
Drive End Bearing Size	6206	Opp Drive End Bearing Size	6306
UL	Recognized	CSA	Y
CE	Y	IP Code	55
Number of Speeds	1		

Technical Specifications

Electrical Type	Squirrel Cage Inverter Duty	Starting Method	Inverter Only
Poles	4	Rotation	Reversible
Resistance Main	3.542 Ohms	Mounting	Rigid Base
Motor Orientation	Horizontal	Drive End Bearing	Ball
Opp Drive End Bearing	Ball	Frame Material	Cast Iron
Shaft Type	T	Shaft Diameter	1.125 in
Assembly/Box Mounting	F1/F2 CAPABLE	Inverter Load	CONSTANT 2000:1
Outline Drawing	SS600242-100	Connection Drawing	EE7308T

This is an uncontrolled document once printed or downloaded and is subject to change without notice. Date Created:12/12/2023

DASH NO.	4			3							2		1
	B	C	E	2E	2F	2FF	AG	AH	BA	BV	MOUNTING	FRAME	
100	5.67	18.85	3.75	7.50	---	4.50	16.22	2.62	3.50	5.87	F1 OR F2	182TC	
200	6.69	19.85			4.50	5.50	17.22			6.37		182/184TC	



DRAWING REVISION B	REVISION BY BISWA	REV DATE/© DATE 29/10/2020
ECO ECO-0193836	APPROVED BY GNK	DATE 29/10/2020
ECO DESCRIPTION DRAWING UPDATED		
<small>COPYRIGHT (PER REVISION DATE) REGAL BELOIT AMERICA, INC. ALL RIGHTS RESERVED. PROPRIETARY AND CONFIDENTIAL INFORMATION - THIS DOCUMENT IS THE PROPERTY OF REGAL BELOIT AMERICA, INC. ("OWNER") AND CONTAINS OWNER'S PROPRIETARY INFORMATION. ANY PERSON, CORPORATION OR OTHER FIRM RECEIVING IT IS DEEMED, BY RECEIVING IT, TO AGREE THAT IT, AND/OR ANY PART OF IT, SHALL NOT BE DISCLOSED TO ANY PERSON, CORPORATION OR OTHER ENTITY, DUPLICATED, AND/OR USED, EXCEPT AS EXPRESSLY APPROVED IN WRITING IN ADVANCE BY OWNER. THIS DOCUMENT SHALL BE RETURNED TO OWNER UPON REQUEST. IT MAY BE SUBJECT TO CERTAIN RESTRICTIONS UNDER APPLICABLE EXPORT CONTROL LAWS AND REGULATIONS.</small>		

DRAWN BY VS	Regal Beloit America, Inc.
DATE 25-06-2020	
APPROVED BY SBD	
DATE 25-06-2020	
REFERENCE	DESCRIPTION OUTLINE 182/184TC NEMA TENV-BRAKE (STEARNS BR & SL85 TACH)
THIRD ANGLE PROJECTION	MATERIAL PROCESS/FINISH
	SIZE DRAWING NUMBER B SS600242
	SHEET 1 OF 1

PRIMARY DIMENSIONS ARE INCH
mm DIMENSIONS IN [BRACKETS]
ARE FOR REFERENCE ONLY

HIGH VOLTAGE



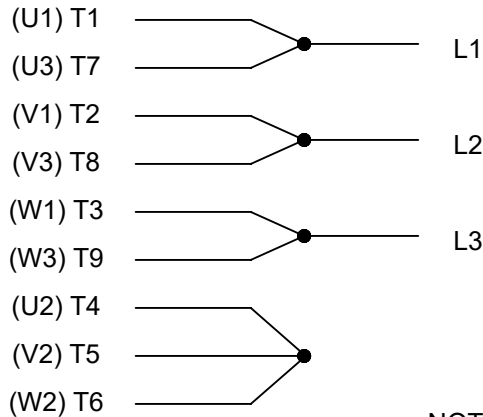
**THREE PHASE
DUAL VOLTAGE MOTOR**

THERMO-PROTECTORS
CONNECTED IN SERIES



NOTE FOR FACTORY USE ONLY:
TO SURGE TEST FOR COMMON CONNECT:
HIGH VOLT: CONNECT P1 TO T1
THEN P2 TO L1
LOW VOLT: CONNECT P1 TO T1 & T7,
THEN P2 TO L1

LOW VOLTAGE



VIEW OF TERMINAL END

NOTE: LEAD'S COLOR CAN BE YELLOW OR WHITE FOR MT2 PLANT

DRAWING REVISION T	REVISION BY ZR	DATE 01-14-2019		DRAWN BY SMC	Regal Beloit America, Inc.	
ECO ECO-0159915	APPROVED BY DR	DATE 01-15-2019		DATE 05-13-1992		
ECO DESCRIPTION ADDED TERMINAL CONNECTION DIAGRAM				APPROVED BY TB	DESCRIPTION CONN DIAGRAM-INTERNAL 3 PHASE - DUAL VOLTAGE MOTOR	
<small>COPYRIGHT REGAL BELOIT AMERICA, INC. ALL RIGHTS RESERVED. PROPRIETARY AND CONFIDENTIAL INFORMATION - THIS DOCUMENT IS THE PROPERTY OF REGAL BELOIT AMERICA, INC. ("OWNER") AND CONTAINS OWNER'S PROPRIETARY INFORMATION. ANY PERSON, CORPORATION OR OTHER FIRM RECEIVING IT IS DEEMED, BY RECEIVING IT, TO AGREE THAT IT, AND/OR ANY PART OF IT, SHALL NOT BE DISCLOSED TO ANY PERSON, CORPORATION OR OTHER ENTITY, DUPLICATED, AND/OR USED, EXCEPT AS EXPRESSLY APPROVED IN WRITING IN ADVANCE BY OWNER. THIS DOCUMENT SHALL BE RETURNED TO OWNER UPON REQUEST. IT MAY BE SUBJECT TO CERTAIN RESTRICTIONS UNDER APPLICABLE EXPORT CONTROL LAWS AND REGULATIONS.</small>				DATE 05-13-1992	MATERIAL	PROCESS/FINISH
			REFERENCE EE7308/EE7300	SIZE A	DRAWING NUMBER EE7308T	SHEET 1 OF 1
			THIRD ANGLE PROJECTION			

Date: 9/11/2023 REF: 182THTCD8048

Customer: _____

Attention: _____

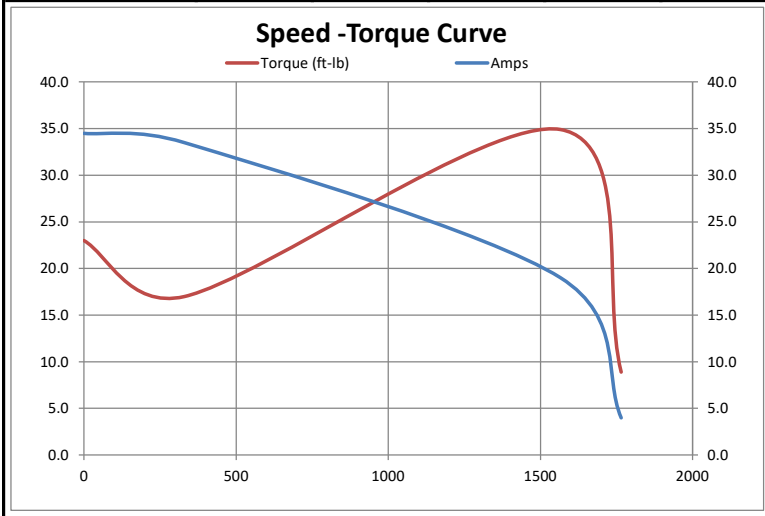
Submitted by: RAMYA

marathon[®] electric

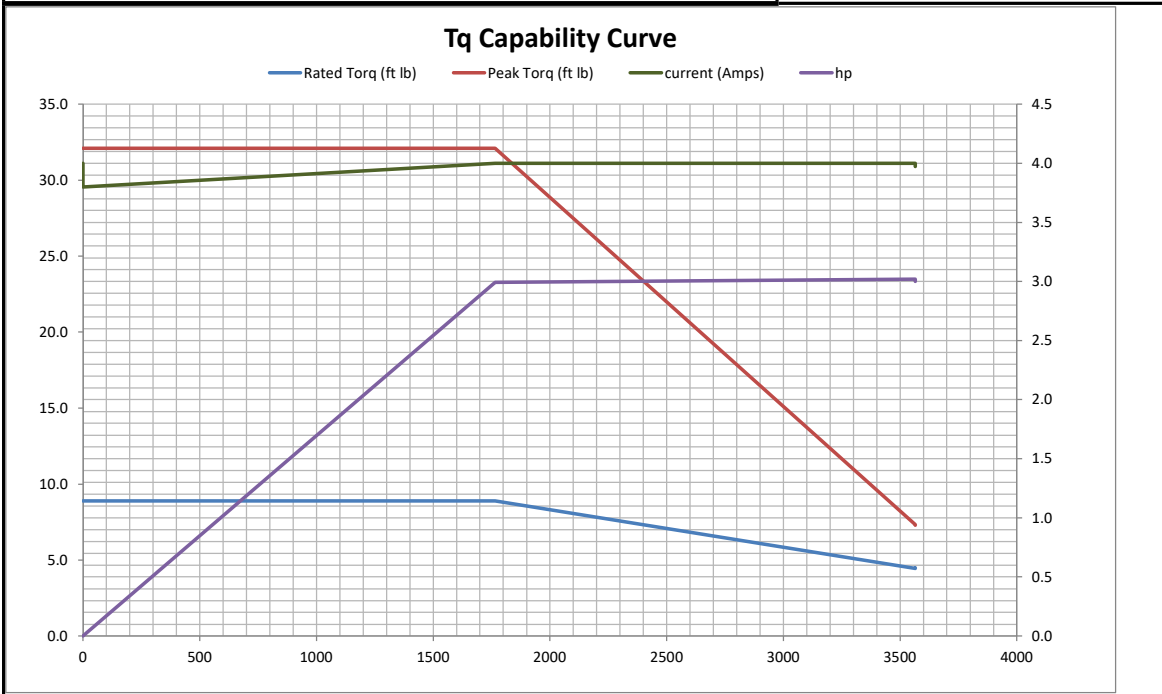
Torque Capability Curve
Data @ 460 Volts

	Min CT RPM	Base RPM	CHP RPM	Max CHP RPM	Max RPM	Peak
HP	0.00	0.00	0.0	0.0	0.0	3.0
Voltage (volts)	-	5	460	460	460	460
Frequency (HZ)	0	1	60	120	121	118
RPM	0	0	1,765	3,565	3,565	3,565
Current (Amps)	4.0	3.8	4.0	4.0	4.0	4.0
Rated Tq (ft-lb)	8.9	8.9	8.9	4.5	4.5	4.5
Peak Tq (ft-lb)	32.1	32.1	32.1	7.3	7.3	7.3

Motor Speed Data						Information Block	
	Locked Rotor	Pull-Up	Breakdown	Rated Load	Idle		
Speed (RPM)	0	330	1565	1765	1800	HP	3.0
Current (Amps)	35	34	19	4	2	Sync. RPM	1,800
Torque (ft-lbs)	23	17	35	9	0	Frame	182



Enclosure	TENV
Construction	TTC
Voltage	230/460
Frequency	60 Hz
Duty	CONT
Design	INV
LR Code letter	L
Poles	4
Temp Rise @ FL	65 °C
Ambient	40 °C
Elevation	3,300 feet
Ref Wdg	HA31124032
R #	NONE
dBA @ 1M	62
VFD rating	CONSTANT 2000:1
OUTLINE:	0
CONN DIAG:	EE7308T
0	
0	



EC Declaration of Conformity

The undersigned representing
the manufacturer:

Regal Beloit America
100 East Randolph St.
Wausau, WI 54401

and the authorized representative
established within the Community:

Marathon Electric UK
6F Thistleton Road Ind. Estate
Market Overton
Oakham, Rutland LE15 7PP UK

are committed to providing customers with products that comply with applicable regulations and international protocols to which they are subject, including the requirements of the European Parliament Directive on the Harmonization of the laws relating to electrical equipment designed for use within certain voltage limits (2014/35/EU).

Regal Beloit America declares that the following product(s), to which this declaration relates, are in conformity with the relevant sections of the EC standards listed below.

This statement supersedes any statements previously issued pertaining to the product(s) listed below and is subject to change without notice.

Model No : 182THTCD8048

(Model No. may contain prefix and/or suffix characters)

Catalog No : Y988A

Rework No : N/A

Directives :

Low Voltage Directive 2014/35/EU

Harmonized Standards Used :

EN 60034-1: 2010 (IEC 60034-1: 2010)

EN 60034-5: 2001/A1:2007 (IEC 60034-5: 2000/A1:2006)

Authorized Representative:



Michael A. Logsdon
Vice President, Technology

Authorized Representative in the Community:



Julian Clark
Marketing Engineer

Created on 09/01/2022

CE 22