

PRODUCT INFORMATION PACKET

Model No: 182THTCD8028

Catalog No: Y527A

Blue Max® Inverter Duty Encoder Motor, 3 HP, 3 Ph, 60 Hz, 230/460 V, 1800 RPM, 182TC Frame, TENV



Regal and Marathon are trademarks of Regal Rexnord Corporation or one of its affiliated companies.
©2022 Regal Rexnord Corporation, All Rights Reserved. MC017097E

Nameplate Specifications

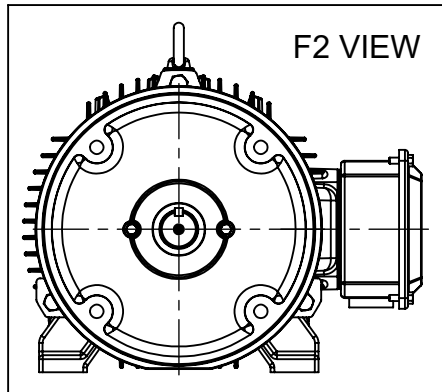
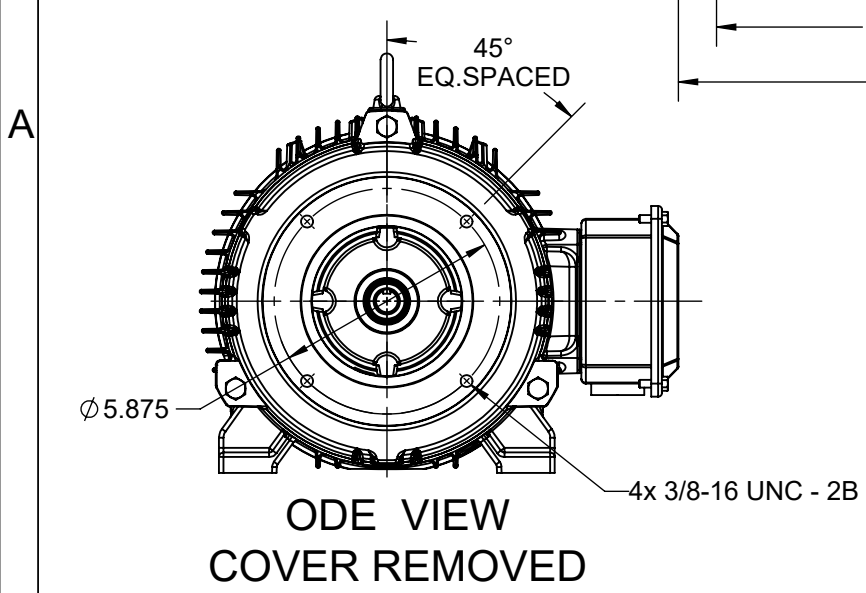
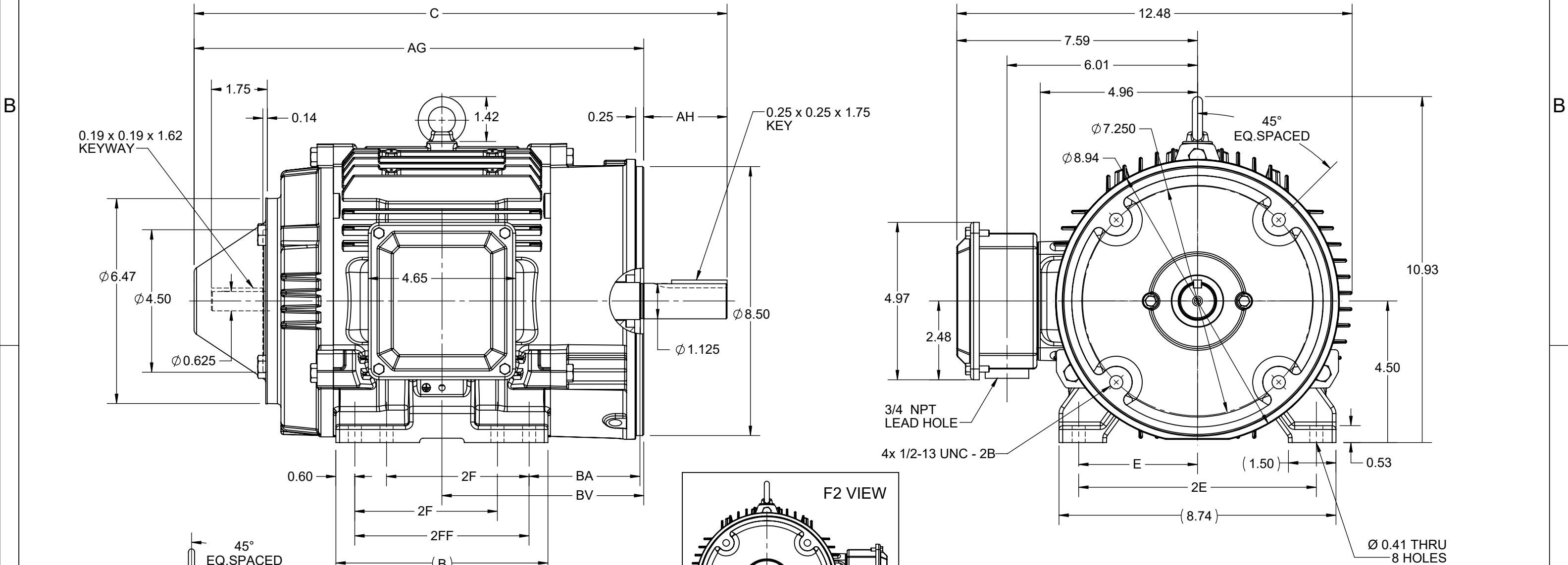
Output HP	3 Hp	Output KW	2.2 kW
Frequency	60 Hz	Voltage	230/460 V
Current	8.0/4.0 A	Speed	1765 rpm
Service Factor	1	Phase	3
Efficiency	89.5 %	Power Factor	79
Duty	Continuous	Insulation Class	H
Design Code	INV	KVA Code	L
Frame	182TC	Enclosure	Totally Enclosed Non Ventilated
Thermal Protection	Thermostat	Ambient Temperature	40 °C
Drive End Bearing Size	6206	Opp Drive End Bearing Size	6306
UL	Recognized	CSA	Y
CE	Y	IP Code	55
Number of Speeds	1		

Technical Specifications

Electrical Type	Squirrel Cage Inverter Duty	Starting Method	Inverter Only
Poles	4	Rotation	Reversible
Resistance Main	3.542 Ohms	Mounting	Rigid Base
Motor Orientation	Horizontal	Drive End Bearing	Ball
Opp Drive End Bearing	Ball	Frame Material	Cast Iron
Shaft Type	T	Shaft Diameter	1.125 in
Assembly/Box Mounting	F1/F2 CAPABLE	Inverter Load	CONSTANT 2000:1
Connection Drawing	EE7308T	Outline Drawing	SS600239-100

This is an uncontrolled document once printed or downloaded and is subject to change without notice. Date Created:11/29/2022

DASH NO.	B	C	E	2E	2F	2FF	AG	AH	BA	BV	MOUNTING	FRAME
100	5.67	15.81	3.75	7.50	---	4.50	13.19	2.62	3.50	5.87	F1 OR F2	182TC
200	6.69	16.81			4.50	5.50	14.19			6.37		182/184TC



DRAWING REVISION A	REVISION BY VS	REV DATE/© DATE 28-01-2021
ECO CR-0000832	APPROVED BY MSH	DATE 28-01-2021
ECO DESCRIPTION NEW DRAWING RELEASE COPYRIGHT (PER REVISION DATE) REGAL BELOIT AMERICA, INC. ALL RIGHTS RESERVED. PROPRIETARY AND CONFIDENTIAL INFORMATION - THIS DOCUMENT IS THE PROPERTY OF REGAL BELOIT AMERICA, INC. ("OWNER") AND CONTAINS OWNER'S PROPRIETARY INFORMATION. ANY PERSON, CORPORATION OR OTHER FIRM RECEIVING IT IS DEEMED, BY RECEIVING IT, TO AGREE THAT IT, AND/OR ANY PART OF IT, SHALL NOT BE DISCLOSED TO ANY PERSON, CORPORATION OR OTHER ENTITY, DUPLICATED, AND/OR USED, EXCEPT AS EXPRESSLY APPROVED IN WRITING IN ADVANCE BY OWNER. THIS DOCUMENT SHALL BE RETURNED TO OWNER UPON REQUEST. IT MAY BE SUBJECT TO CERTAIN RESTRICTIONS UNDER APPLICABLE EXPORT CONTROL LAWS AND REGULATIONS.		

PRIMARY DIMENSIONS ARE INCH
mm DIMENSIONS IN [BRACKETS]
ARE FOR REFERENCE ONLY

DRAWN BY VS	REGAL ® Regal Beloit America, Inc.
DATE 28-01-2021	
APPROVED BY MSH	DESCRIPTION OUTLINE 182/184TC NEMA-ODE 4.5 AK BRKT-TENV
DATE 28-01-2021	MATERIAL PROCESS/FINISH
THIRD ANGLE PROJECTION	SIZE B
	DRAWING NUMBER SS600239
	SHEET 1 OF 1

HIGH VOLTAGE



**THREE PHASE
DUAL VOLTAGE MOTOR**

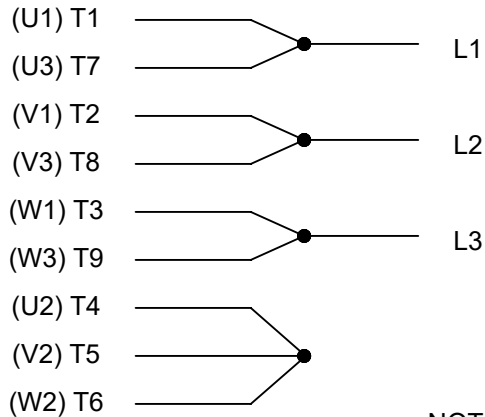
THERMO-PROTECTORS
CONNECTED IN SERIES



VIEW OF TERMINAL END

**NOTE FOR FACTORY USE ONLY:
TO SURGE TEST FOR COMMON CONNECT:
HIGH VOLT: CONNECT P1 TO T1
THEN P2 TO L1
LOW VOLT: CONNECT P1 TO T1 & T7,
THEN P2 TO L1**

LOW VOLTAGE



NOTE: LEAD'S COLOR CAN BE YELLOW OR WHITE FOR MT2 PLANT

DRAWING REVISION T	REVISION BY ZR	DATE 01-14-2019		DRAWN BY SMC	Regal Beloit America, Inc.
ECO ECO-0159915	APPROVED BY DR	DATE 01-15-2019		DATE 05-13-1992	
ECO DESCRIPTION ADDED TERMINAL CONNECTION DIAGRAM				APPROVED BY TB	DESCRIPTION CONN DIAGRAM-INTERNAL 3 PHASE - DUAL VOLTAGE MOTOR
<small>COPYRIGHT REGAL BELOIT AMERICA, INC. ALL RIGHTS RESERVED. PROPRIETARY AND CONFIDENTIAL INFORMATION - THIS DOCUMENT IS THE PROPERTY OF REGAL BELOIT AMERICA, INC. ("OWNER") AND CONTAINS OWNER'S PROPRIETARY INFORMATION. ANY PERSON, CORPORATION OR OTHER FIRM RECEIVING IT IS DEEMED, BY RECEIVING IT, TO AGREE THAT IT, AND/OR ANY PART OF IT, SHALL NOT BE DISCLOSED TO ANY PERSON, CORPORATION OR OTHER ENTITY, DUPLICATED, AND/OR USED, EXCEPT AS EXPRESSLY APPROVED IN WRITING IN ADVANCE BY OWNER. THIS DOCUMENT SHALL BE RETURNED TO OWNER UPON REQUEST. IT MAY BE SUBJECT TO CERTAIN RESTRICTIONS UNDER APPLICABLE EXPORT CONTROL LAWS AND REGULATIONS.</small>				DATE 05-13-1992	MATERIAL
			REFERENCE EE7308/EE7300	SIZE A	DRAWING NUMBER EE7308T

Data Sheet

Date: 7/26/2022
 Customer: _____
 Attention: _____
 Submitted by: _____



182THTCD8028

Submittal

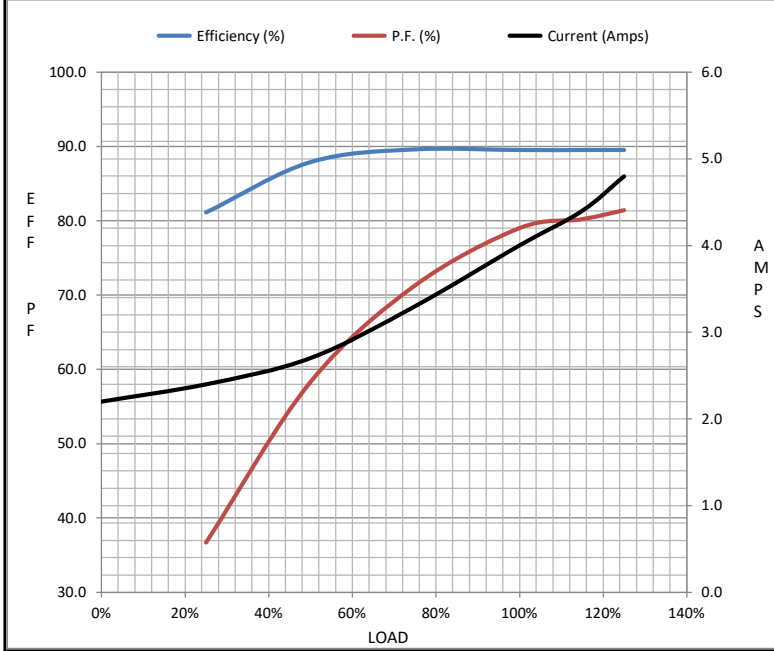
Data @ 460 V

Motor Load Data

Load	0%	25%	50%	75%	100%	115%	125%	LR
Current (Amps)	2.20	2.40	2.70	3.3	4.0	4.4	4.8	34.5
Torque (ft-lb)	0.00	2.20	4.4	6.6	8.9	10.0	11.0	23.0
RPM	1800	1792	1785	1775	1765	1,763	1760	0
Efficiency (%)		81.1	87.9	89.6	89.5	89.5	89.5	
P.F. (%)	6.8	36.7	58.3	71.3	79.0	80.2	81.4	45.8

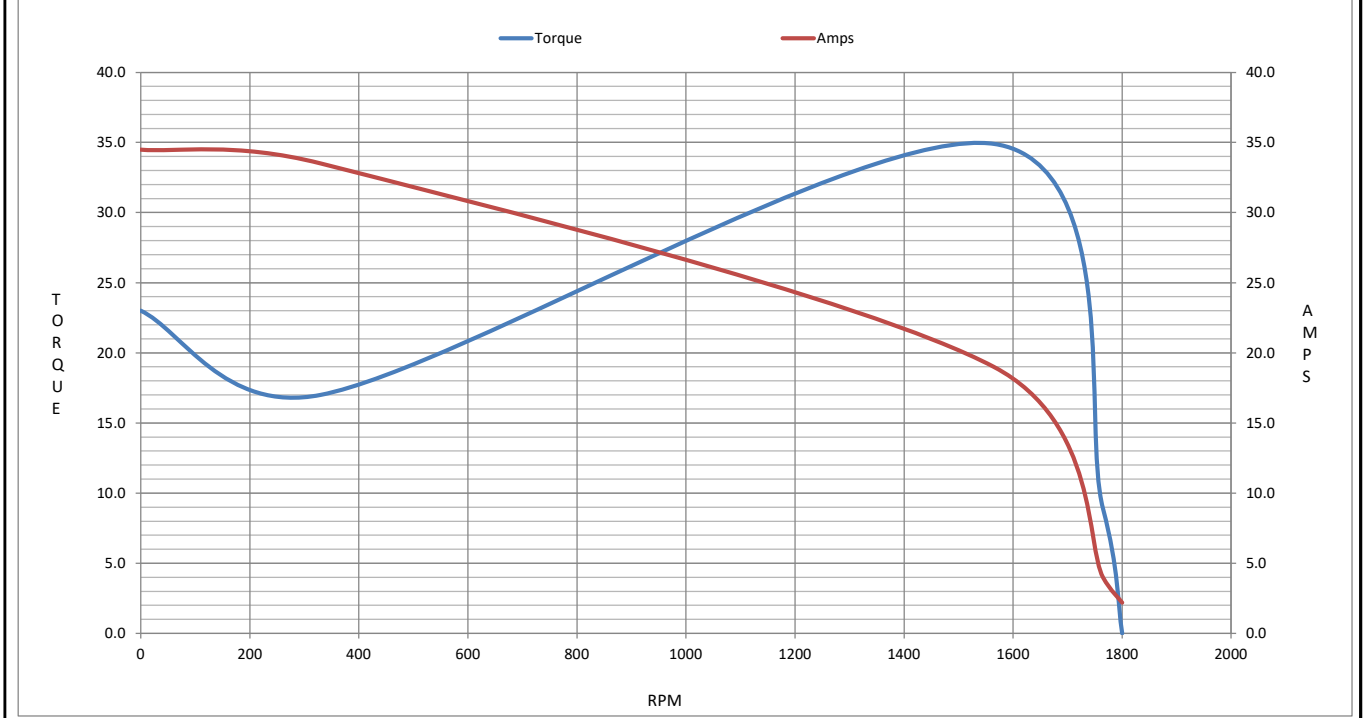
Motor Speed Data

	LR	Pull-Up	BD	Rated	Idle	Information Block	
Speed (RPM)	0	330	1565	1765	1800	HP	3.0
Current (Amps)	34.5	33.5	19.0	4.0	2.20	Sync. RPM	1800
Torque (ft-lb)	23.0	17.0	34.9	8.9	0.00	Frame	182



Enclosure	TENV			
Construction	TTC			
Voltage	230/460 V			
Frequency	60 Hz			
Design	INV			
LR Code letter	L			
Service Factor	1.0			
Temp Rise @ FL	65 °C			
Duty	CONT			
Ambient	40 °C			
Elevation	3,300 feet			
Rotor/Shaft wk ²	0.40 Lb-Ft ²			
Ref Wdg	HA31124032 NONE			
Sound Pressure @ 1M	62 dBA			
VFD Rating	CONSTANT 2000:1			
Outline Dwg				
Conn. Diag	EE7308T			
Additional Specifications:				
0				
0				
EQUIV CKT (OHMS / PHASE)				
R1	R2	X1	X2	Xm
2.1750	1.4660	5.0110	5.3890	125.7520

Speed -Torque Curve



EC Declaration of Conformity

The undersigned representing
the manufacturer:

Regal Beloit America
100 East Randolph St.
Wausau, WI 54401

and the authorized representative
established within the Community:

Marathon Electric UK
6F Thistleton Road Ind. Estate
Market Overton
Oakham, Rutland LE15 7PP UK

are committed to providing customers with products that comply with applicable regulations and international protocols to which they are subject, including the requirements of the European Parliament Directive on the Harmonization of the laws relating to electrical equipment designed for use within certain voltage limits (2014/35/EU).

Regal Beloit America declares that the following product(s), to which this declaration relates, are in conformity with the relevant sections of the EC standards listed below.

This statement supersedes any statements previously issued pertaining to the product(s) listed below and is subject to change without notice.

Model No : 182THTCD8028

(Model No. may contain prefix and/or suffix characters)

Catalog No : Y527A

Rework No : N/A

Directives :

Low Voltage Directive 2014/35/EU

Harmonized Standards Used :

EN 60034-1: 2010 (IEC 60034-1: 2010)

EN 60034-5: 2001/A1:2007 (IEC 60034-5: 2000/A1:2006)

Authorized Representative:



Michael A. Logsdon
Vice President, Technology

Authorized Representative in the Community:



Julian Clark
Marketing Engineer

Created on 09/01/2022

CE 22