

PRODUCT INFORMATION PACKET

Model No: 182THFW7730

Catalog No: Y270A

Speed Ratio Motors, TEFC, 3 HP, 3 Ph, 60 Hz, 575 V, 1768 RPM, 182TC Frame



Regal and are trademarks of Regal Rexnord Corporation or one of its affiliated companies.
©2022 Regal Rexnord Corporation, All Rights Reserved. MC017097E

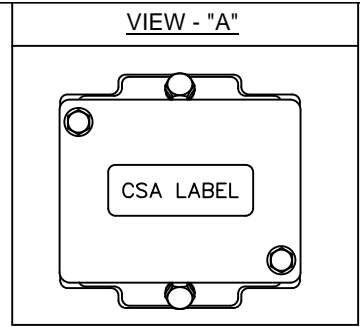
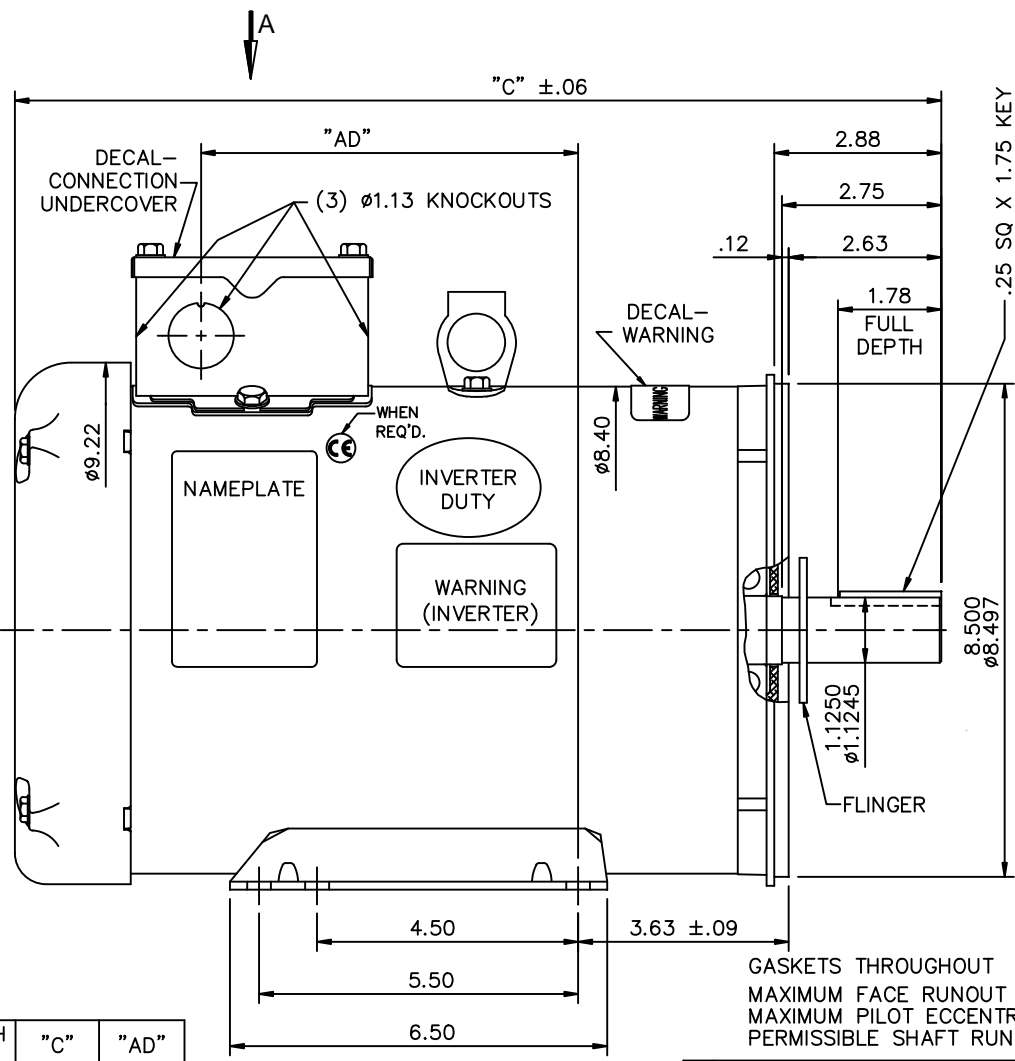
Nameplate Specifications

Output HP	3 Hp	Output KW	2.2 kW
Frequency	60 Hz	Voltage	575 V
Current	3.1 A	Speed	1768 rpm
Service Factor	1	Phase	3
Efficiency	89.5 %	Power Factor	80.5
Duty	Continuous	Insulation Class	H
Design Code	INV	KVA Code	K
Frame	182TC	Enclosure	Totally Enclosed Fan Cooled
Thermal Protection	No Protection	Ambient Temperature	40 °C
Drive End Bearing Size	6206	Opp Drive End Bearing Size	6205
UL	Recognized	CSA	Y
CE	Y	IP Code	43
Number of Speeds	1		

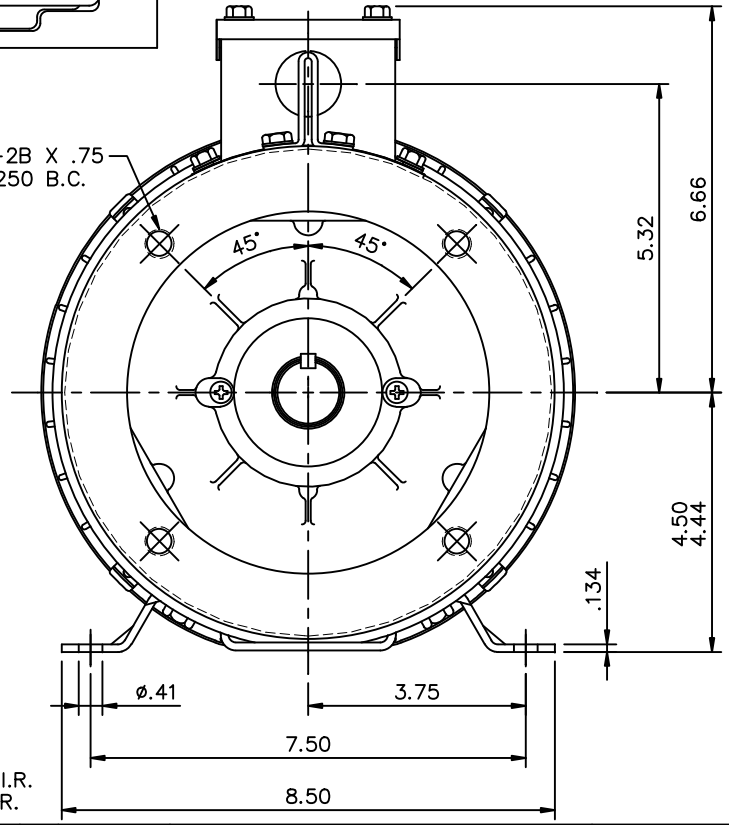
Technical Specifications

Electrical Type	Squirrel Cage Inverter Duty	Starting Method	Inverter Only
Poles	4	Rotation	Reversible
Resistance Main	6.08 Ohms	Mounting	Bolt-on Base
Motor Orientation	Horizontal	Drive End Bearing	Ball
Opp Drive End Bearing	Ball	Frame Material	Rolled Steel
Shaft Type	T	Overall Length	14.97 in
Frame Length	9.50 in	Shaft Diameter	1.125 in
Shaft Extension	2.88 in	Assembly/Box Mounting	F3
Outline Drawing	035651-950	Connection Drawing	005102.01ME

This is an uncontrolled document once printed or downloaded and is subject to change without notice. Date Created:05/18/2022



(4) 1/2-13 UNC-2B X .75 DEEP ON A ø7.250 B.C.

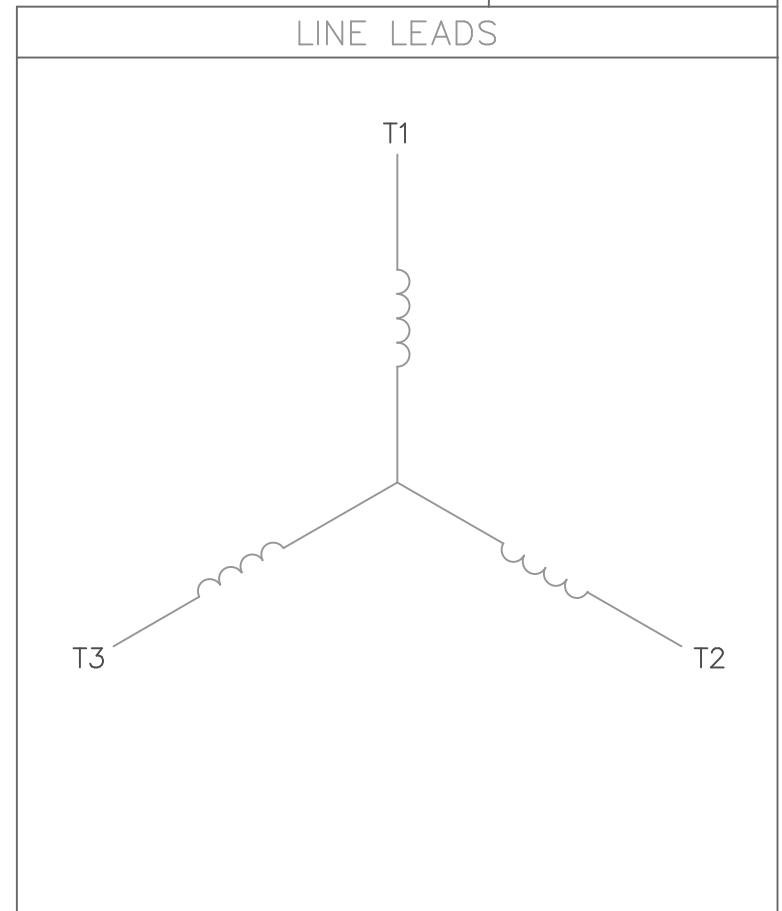
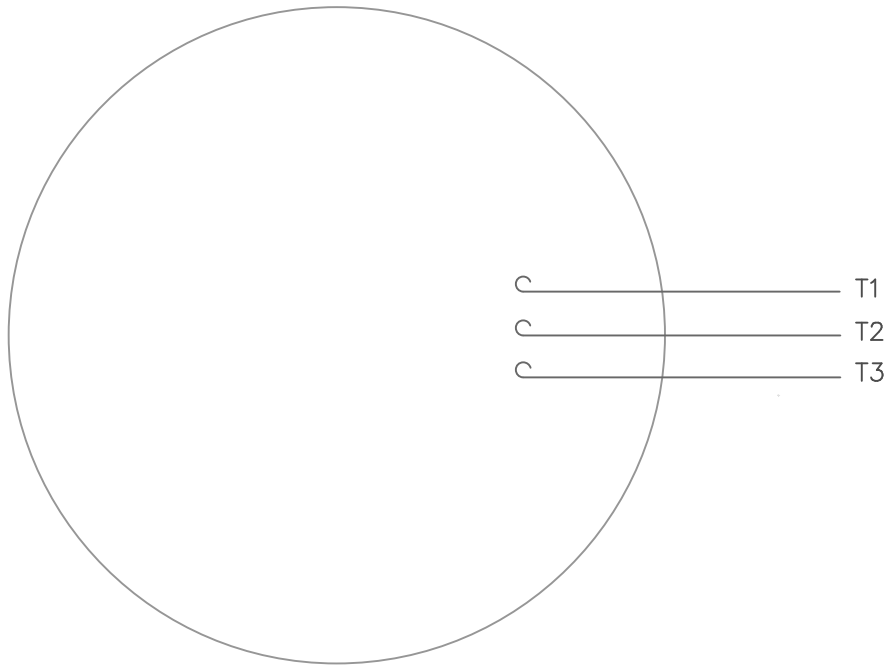


GASKETS THROUGHOUT
 MAXIMUM FACE RUNOUT TO BE .004 T.I.R.
 MAXIMUM PILOT ECCENTRICITY TO BE .004 T.I.R.
 PERMISSIBLE SHAFT RUNOUT TO BE .002 T.I.R.

DASH NO.	"C"	"AD"
850	13.97	4.50
900	14.47	5.00
950	14.97	5.50
1000	15.47	6.00
1050	15.97	6.50
1100	16.47	7.00
1150	16.97	7.50
1200	17.47	8.00

NO.		REVISION	BY & DATE	CHK	ANG	±1/2"	FINISH	BOLT-ON BASE	SIZE	DRAWING NO.	REV.
THIS DRAWING IN DESIGN AND DETAIL IS OUR PROPERTY AND MUST NOT BE USED EXCEPT IN CONNECTION WITH OUR WORK ALL RIGHTS OF DESIGN AND INVENTION ARE RESERVED THIS IS AN ELECTRONICALLY GENERATED DOCUMENT - DO NOT SCALE THIS PRINT											
TOLERANCES UNLESS SPECIFIED DEC. INCHES .X ±.1 .XX ±.03 .XXX ±.005 .XXXX ±.0005									DRAWN KVN 04/08/2008 CHK APPD TITLE OUTLINE- 180T FRAME TEFC - RIGID "C" SCALE 3=8 REF 035522 FMF 1841HFW7726 PREV		
RFP CAD FILE 035651 DIST							B		035651		035651

VIEW FROM OUTSIDE OF MOTOR AT SWITCH END.



CONNECT LEADS AS FOLLOWS
FOR FOUR CONDUCTOR CORD ()

CORD	L1 (RED)	L2 (WHITE)	L3 (BLACK)	(GREEN)
MOTOR	T1	T2	T3	GROUND

		TOLERANCES UNLESS SPECIFIED			DRAWN RDW 5/1/02		
		DEC.	INCHES		CHK		
		.X	±.1		APPD		
		.XX	±.01		SCALE 1=1		
		.XXX	±.005		REF		
		.XXXX	±.0005	MAT'L. DECAL - 004169	FMF		
NO.	REVISION	BY & DATE	CHK	ANG ±1/2'	FINISH	PREV	
THIS DRAWING IN DESIGN AND DETAIL IS OUR PROPERTY AND MUST NOT BE USED EXCEPT IN CONNECTION WITH OUR WORK ALL RIGHTS OF DESIGN AND INVENTION ARE RESERVED THIS IS AN ELECTRONICALLY GENERATED DOCUMENT - DO NOT SCALE THIS PRINT			RFP 5/1/02	CAD FILE 00510201ME	SIZE A	DRAWING NO. 005102-01ME	REV.
			DIST				

CERTIFICATION DATA SHEET

**P.O. BOX 8003
 WAUSAU, WI 54401-8003
 PH. 715-675-3311**

CONN. DIAGRAM: 005102.01ME

MODEL #: 182THFW7730 AA

OUTLINE: 035651-950

MOUNTING: F3

WINDING #: T84174 R8 4

TYPICAL MOTOR PERFORMANCE DATA

HP	kW	SYNC. RPM	F.L. RPM	FRAME	ENCLOSURE	KVA CODE	DESIGN
3	2.24	1800	1768	182TC	TEFC	K	INV

PH	Hz	VOLTS	AMPS	START TYPE	DUTY	INSL	S.F.	AMB°C
3	60	575	3.1	INVERTER ONLY	CONTINUOUS	H4	1.0	40

FULL LOAD EFF:	89.5	3/4 LOAD EFF:	89.6	1/2 LOAD EFF:	87.7	GTD. EFF	ELEC. TYPE
FULL LOAD PF:	80.5	3/4 LOAD PF:	73.8	1/2 LOAD PF:	62.7	87.4	SQ CAGE INV DUTY

F.L. TORQUE	LOCKED ROTOR AMPS	L.R. TORQUE	B.D. TORQUE	F.L. RISE°C
9 LB-FT	26.8	21.4 LB-FT 238 %	36 LB-FT 400 %	40

SOUND PRESSURE @ 3 FT.	SOUND POWER	ROTOR WK^2	MAX. WK^2	SAFE STALL TIME	STARTS / HOUR	APPROX. MOTOR WGT
62 dBA	72 dBA	0.4 LB-FT^2	0 LB-FT^2	10 SEC.	0	80 LBS.

***** SUPPLEMENTAL INFORMATION *****

DE BRACKET TYPE	ODE BRACKET TYPE	MOUNT TYPE	ORIENTATION	SEVERE DUTY	HAZARDOUS LOCATION	DRIP COVER	SCREENS	PAINT
C-FACE	STANDARD	BOLT-ON	HORIZONTAL	FALSE	NONE	FALSE	NONE	BLACK (ENAMEL)

BEARINGS		GREASE	SHAFT TYPE	SPECIAL DE	SPECIAL ODE	SHAFT MATERIAL	FRAME MATERIAL
DE	ODE						
BALL	BALL	POLYREX EM	T	NONE	NONE	1144 STRESSPROOF (C-223)	ROLLED STEEL
6206	6205						

THERMO-PROTECTORS				THERMISTORS	CONTROL	SPACE HEATERS
THERMOSTATS	PROTECTORS	WDG RTDs	BRG RTDs			
NONE	NOT	NONE	NONE	NONE	FALSE	NONE VOLTS

*
N
O
T
E
S
*

INVERTER TORQUE: CONSTANT 20:1
INV. HP SPEED RANGE: 2.0 X BASE SPEED
ENCODER: NONE NONE NONE NONE NONE PPR
BRAKE: NONE NONE NONE P/N NONE NONE NONE NONE FT-LB NONE V NONE Hz

MARATHON ELECTRIC CORPORATION

TYPICAL PERFORMANCE CURVE for AC MOTOR

Customer

Curve at

575

Volts

HP 3.00

PHASE 3

Model No 182THFW7730

60

HZ

VOLTS 575

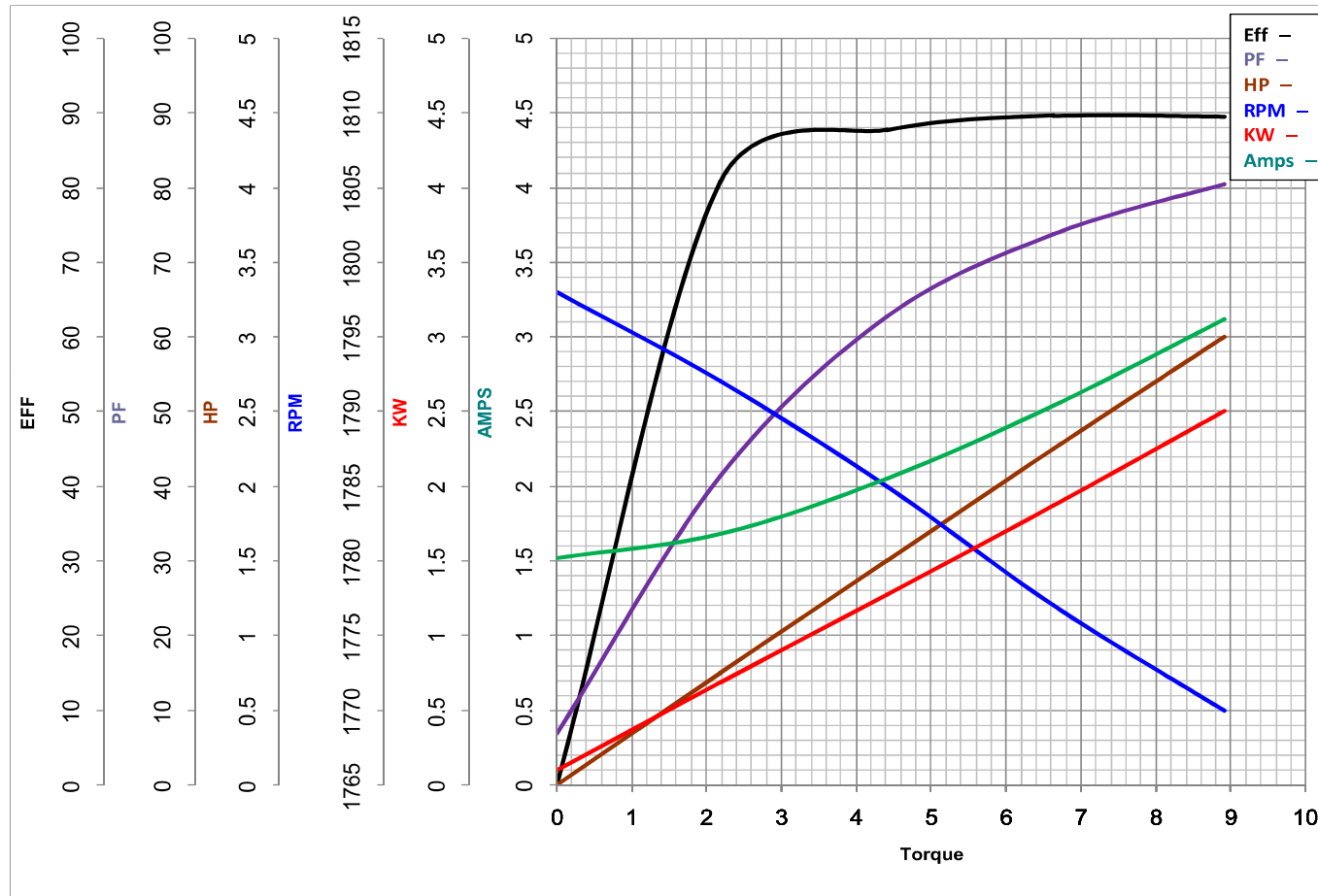
3

HP

Catalog No Y270A

HZ 60

RPM 1768



Torque in Lb.Ft

FL TORQUE 8.914 Lb.Ft

FL AMPS 3.1

BD TORQUE 36.0 Lb.Ft

PU TORQUE 21.0 Lb.Ft

LR TORQUE 22.5 Lb.Ft

LR AMPS 26.8

WINDING T84174-4

Date 11/14/2018