

PRODUCT INFORMATION PACKET

Model No: 182THFW7729

Catalog No: Y1999

microMAX™ Inverter Duty Speed Ratio Motor, 3 HP, 3 Ph, 60 Hz, 230/460 V, 1800 RPM, 182TC Frame, TEFC



Regal and Marathon are trademarks of Regal Rexnord Corporation or one of its affiliated companies.

©2022 Regal Rexnord Corporation, All Rights Reserved. MC017097E



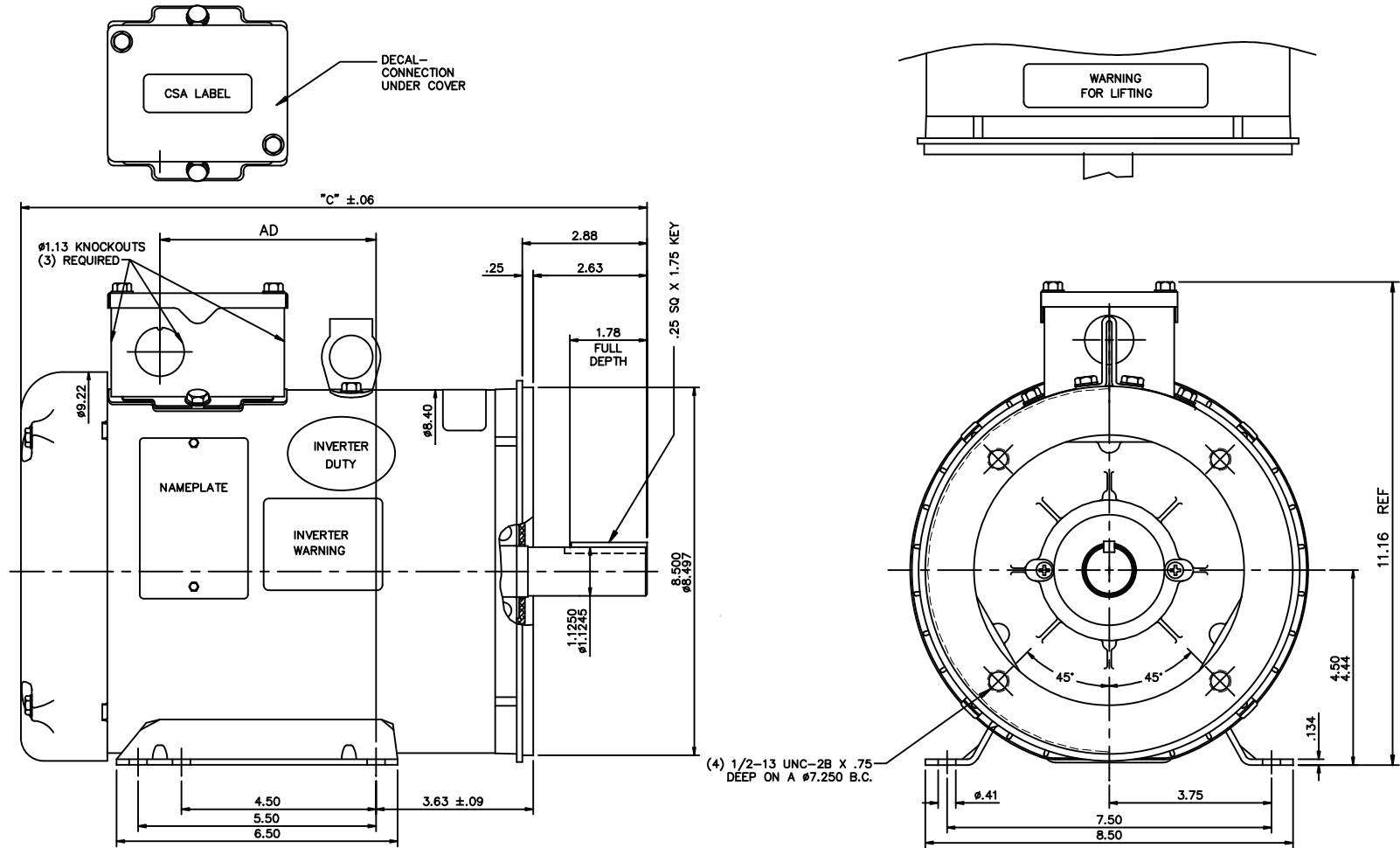
Nameplate Specifications

Output HP	3 Hp	Output KW	2.2 kW
Frequency	60 Hz	Voltage	230/460 V
Current	8.4/4.2 A	Speed	1765 rpm
Service Factor	1	Phase	3
Efficiency	87.5 %	Power Factor	76.4
Duty	Continuous	Insulation Class	H
Design Code	INV	KVA Code	K
Frame	182TC	Enclosure	Totally Enclosed Fan Cooled
Thermal Protection	No Protection	Ambient Temperature	40 °C
Drive End Bearing Size	6206	Opp Drive End Bearing Size	6205
UL	Recognized	CSA	Y
CE	Y	IP Code	43
Number of Speeds	1		

Technical Specifications

Electrical Type	Squirrel Cage Inverter Duty	Starting Method	Inverter Only
Poles	4	Rotation	Reversible
Resistance Main	4.4 Ohms	Mounting	Bolt-on Base
Motor Orientation	Horizontal	Drive End Bearing	Ball
Opp Drive End Bearing	Ball	Frame Material	Rolled Steel
Shaft Type	T	Overall Length	13.97 in
Frame Length	8.50 in	Shaft Diameter	1.125 in
Shaft Extension	2.88 in	Assembly/Box Mounting	F3
Inverter Load	CONSTANT 20:1		
Outline Drawing	035554-850	Connection Drawing	005010.01ME

This is an uncontrolled document once printed or downloaded and is subject to change without notice. Date Created:11/28/2022



GASKETS THROUGHOUT
 MAXIMUM FACE RUNOUT TO BE .004 T.I.R.
 MAXIMUM PILOT ECCENTRICITY TO BE .004 T.I.R.
 PERMISSIBLE SHAFT RUNOUT TO BE .002 T.I.R.

DASH NO.	"C"	"AD"	TOLERANCES UNLESS SPECIFIED			TITLE	DRAWN W 08/28/07
			DEC.	INCHES	CHK		
850	13.97	4.50	.X	±.1		APPD	
900	14.47	5.00	.XX	±.03		SCALE 1=3	
950	14.97	5.50	.XXX	±.005		REF 035548	
1000	15.47	6.00	.XXXX	±.0005	MAT'L	FMF 184TFW4073	
1050	15.97	6.50	CHK	ANG ±1/2'	FINISH	PREV	
1100	16.47	7.00	RFP		CAD FILE	035554	
1150	16.97	7.50	DIST	NLV			
01 ADD DECAL CONN. NOTE PER ISAAC 11-1389			LST 3/24/11				
NO. REVISION			BY & DATE				
THIS DRAWING IN DESIGN AND DETAIL IS OUR PROPERTY AND MUST NOT BE USED EXCEPT IN CONNECTION WITH OUR WORK ALL RIGHTS OF DESIGN AND INVENTION ARE RESERVED THIS IS AN ELECTRONICALLY GENERATED DOCUMENT - DO NOT SCALE THIS PRINT							SIZE B
						DRAWING NO. 035554	REV. 01

NONE	NONE		
NONE FT-LB	NONE V	NONE Hz	

DATE: 06/27/2017 01:14:32 AM
FORM 3531 REV.3 02/07/99
** Subject to change without notice.

Data Sheet

Date: 16-06-2017
 Customer: _____
 Attention: _____
 Submitted by: FAREEDA DUDEKULA



182THFW7729

Submittal

Data @ 460 V

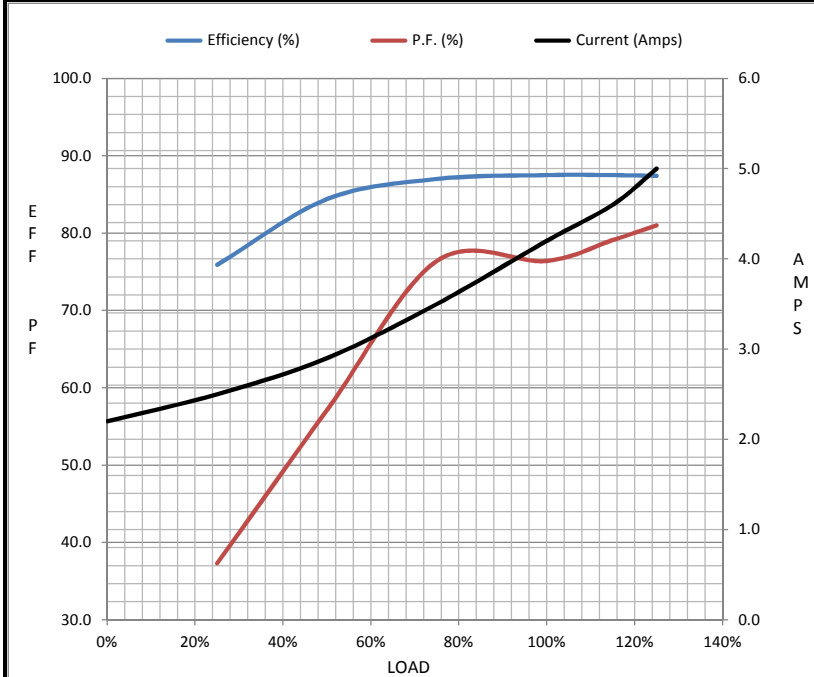
Motor Load Data

Load	0%	25%	50%	75%	100%	115%	125%	LR
Current (Amps)	2.20	2.50	2.90	3.5	4.2	4.6	5.0	33.3
Torque (ft-lb)	0.00	2.20	4.4	6.7	8.9	10.3	11.2	19.7
RPM	1800	1790	1780	1770	1765	1,760	1750	0
Efficiency (%)		75.9	84.4	87.0	87.5	87.5	87.4	
P.F. (%)	8.5	37.3	57.1	76.4	76.4	79.1	81.0	54.3

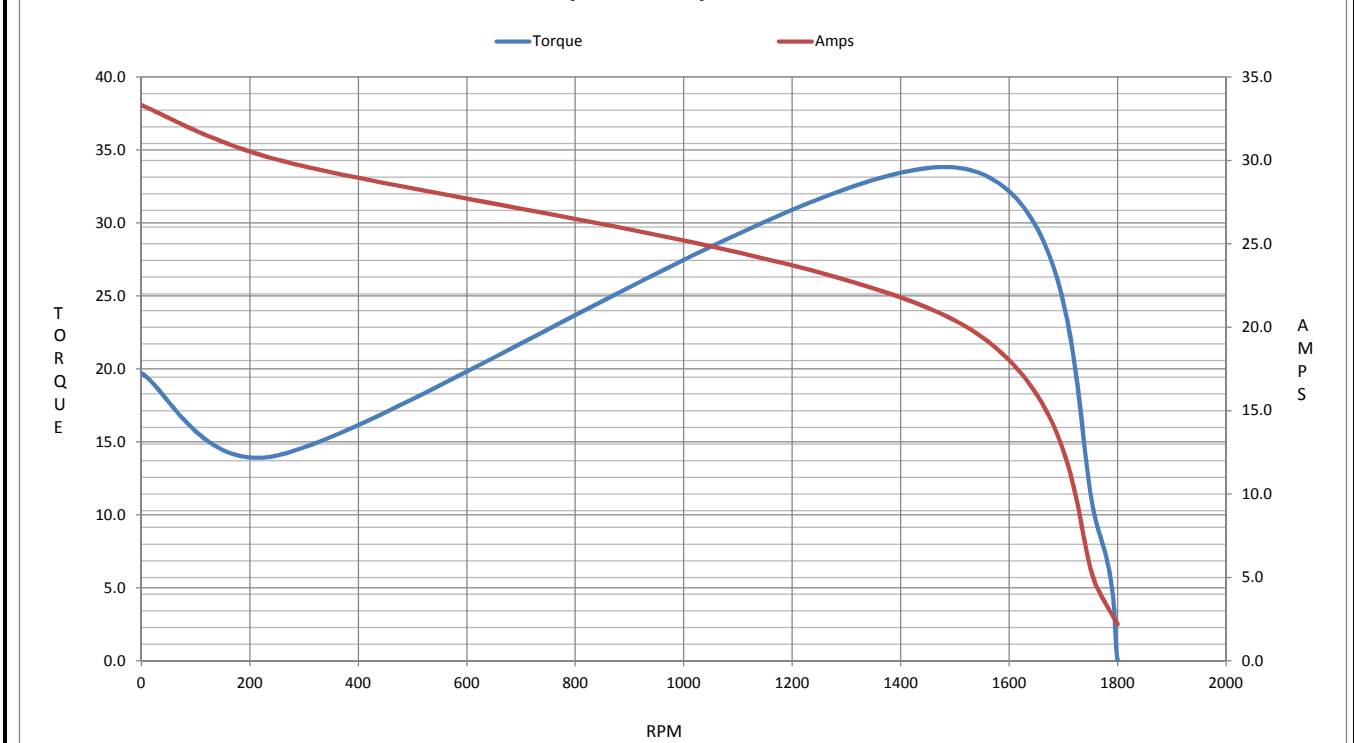
Motor Speed Data

	LR	Pull-Up	BD	Rated	Idle
Speed (RPM)	0	255	1500	1765	1800
Current (Amps)	33.3	30.0	20.4	4.2	2.20
Torque (ft-lb)	19.7	14.1	33.8	8.9	0.00

Information Block				
HP	3.0			
Sync. RPM	1800			
Frame	182			
Enclosure	TEFC			
Construction	TFW			
Voltage	230/460 V			
Frequency	60 Hz			
Design	B			
LR Code letter	K			
Service Factor	1.15			
Temp Rise @ FL	0 °C			
Duty	CONT			
Ambient	40 °C			
Elevation	1,000 feet			
Rotor/Shaft wk ²	0.38 Lb-Ft ²			
Ref Wdg	T84176 FR			
Sound Pressure @ 1M	0 dBA			
VFD Rating	CONSTANT 20:1			
Outline Dwg	035554-850			
Conn. Diag	005010.01ME			
Additional Specifications:				
0				
365THFS8036				
EQUIV CKT (OHMS / PHASE)				
R1	R2	X1	X2	Xm
0.0000	0.0000	0.0000	0.0000	0.0000



Speed - Torque Curve



EC Declaration of Conformity

The undersigned representing
the manufacturer:

Regal Beloit America
100 East Randolph St.
Wausau, WI 54401

and the authorized representative
established within the Community:

Marathon Electric UK
6F Thistleton Road Ind. Estate
Market Overton
Oakham, Rutland LE15 7PP UK

are committed to providing customers with products that comply with applicable regulations and international protocols to which they are subject, including the requirements of the European Parliament Directive on the Harmonization of the laws relating to electrical equipment designed for use within certain voltage limits (2014/35/EU).

Regal Beloit America declares that the following product(s), to which this declaration relates, are in conformity with the relevant sections of the EC standards listed below.

This statement supersedes any statements previously issued pertaining to the product(s) listed below and is subject to change without notice.

Model No : 182THFW7729

(Model No. may contain prefix and/or suffix characters)

Catalog No : Y1999

Rework No : N/A

Directives :

Low Voltage Directive 2014/35/EU

Harmonized Standards Used :

EN 60034-1: 2010 (IEC 60034-1: 2010)

EN 60034-5: 2001/A1:2007 (IEC 60034-5: 2000/A1:2006)

Authorized Representative:



Michael A. Logsdon
Vice President, Technology

Authorized Representative in the Community:



Julian Clark
Marketing Engineer

Created on 09/01/2022

CE 22