

# PRODUCT INFORMATION PACKET

marathon®  
Motors

Model No: 182TCDW7074

Catalog No: Z405A

Close-Coupled Pump Motor, 2 HP, 1 Ph, 60 Hz, 115/230 V, 1800 RPM, 182JM Frame, DP



Regal and Marathon are trademarks of Regal Rexnord Corporation or one of its affiliated companies.

©2022 Regal Rexnord Corporation, All Rights Reserved. MC017097E

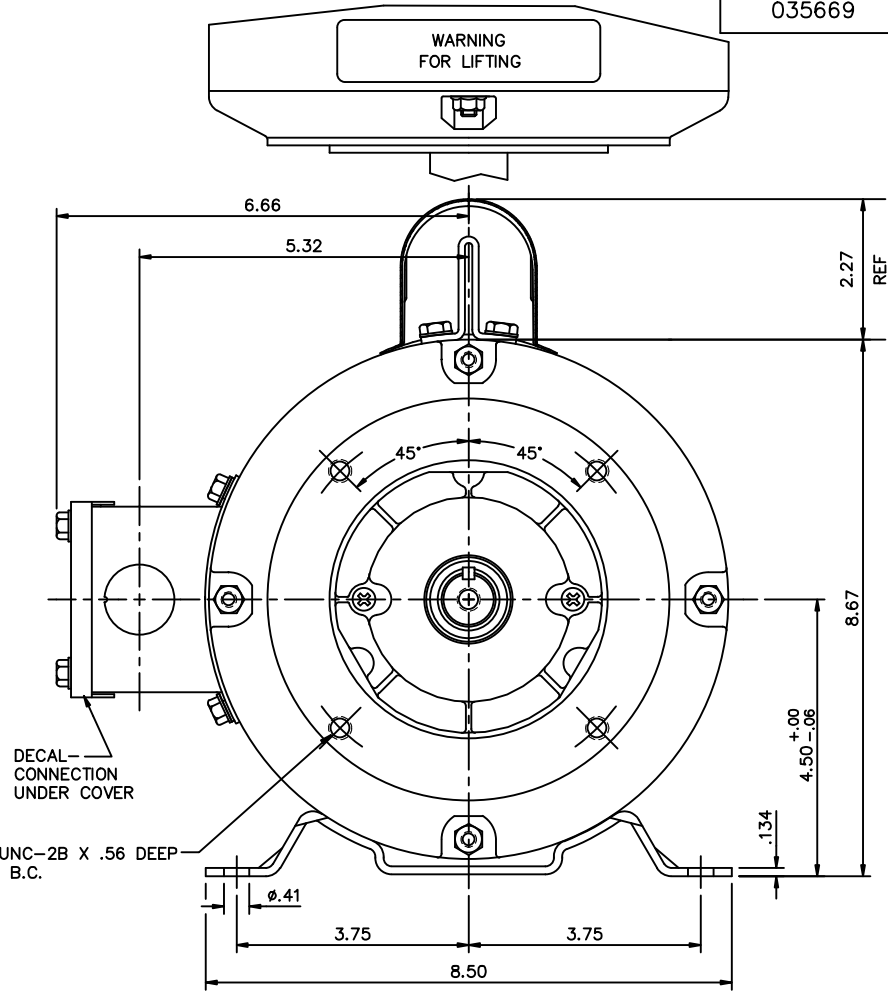
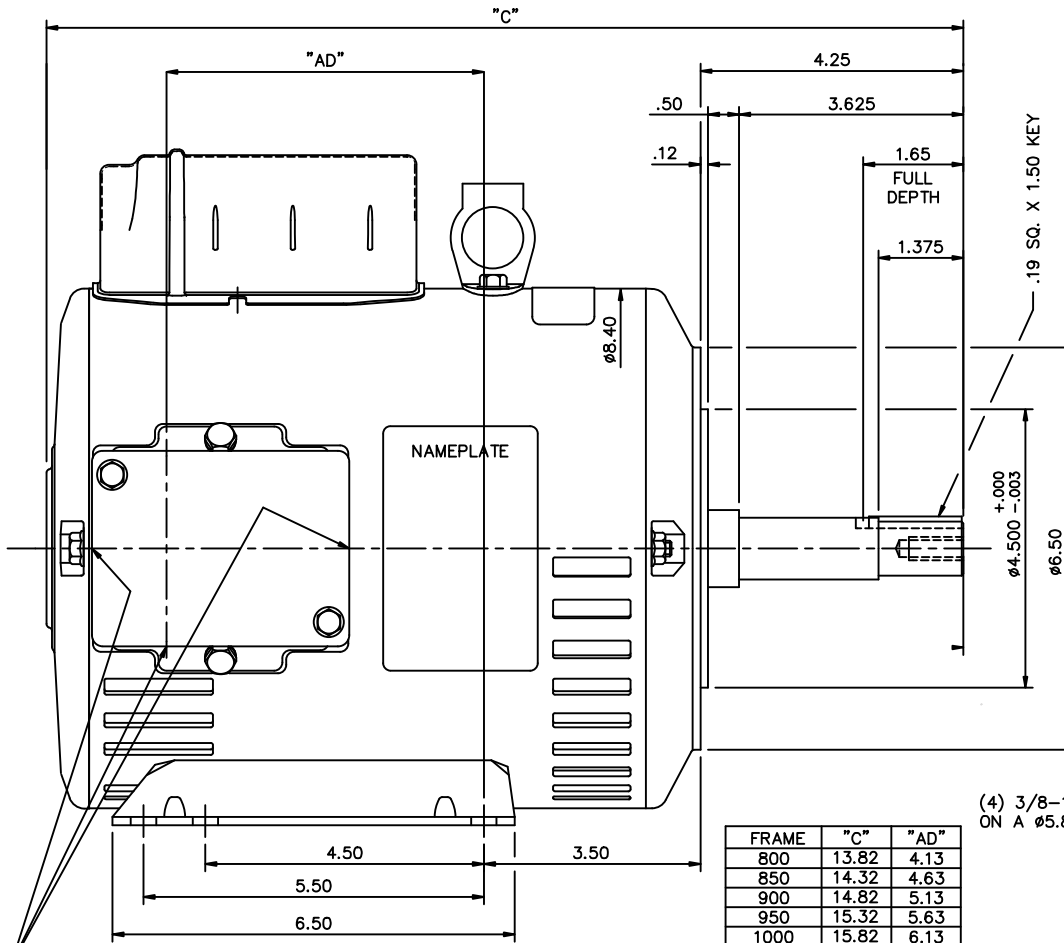
RegalRexnord

### Nameplate Specifications

Output HP	<b>2 Hp</b>	Output KW	<b>1.5 kW</b>
Frequency	<b>60 Hz</b>	Voltage	<b>115/230 V</b>
Current	<b>23.0/11.5 A</b>	Speed	<b>1750 rpm</b>
Service Factor	<b>1.15</b>	Phase	<b>1</b>
Efficiency	<b>75.5 %</b>	Power Factor	<b>74</b>
Duty	<b>Continuous</b>	Insulation Class	<b>F</b>
Design Code	<b>L</b>	KVA Code	<b>J</b>
Frame	<b>182JM</b>	Enclosure	<b>Drip Proof</b>
Thermal Protection	<b>No Protection</b>	Ambient Temperature	<b>40 °C</b>
Drive End Bearing Size	<b>6207</b>	Opp Drive End Bearing Size	<b>6205</b>
UL	<b>Recognized</b>	CSA	<b>Y</b>
CE	<b>Y</b>	IP Code	<b>22</b>
Number of Speeds	<b>1</b>		

### Technical Specifications

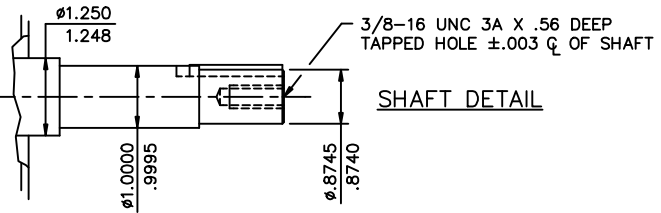
Electrical Type	<b>Capacitor Start Induction Run</b>	Starting Method	<b>Across The Line</b>
Poles	<b>4</b>	Rotation	<b>Selective Counterclockwise</b>
Resistance Main	<b>1.17 Ohms</b>	Mounting	<b>Rigid Base</b>
Motor Orientation	<b>Horizontal</b>	Drive End Bearing	<b>Ball</b>
Opp Drive End Bearing	<b>Ball</b>	Frame Material	<b>Rolled Steel</b>
Shaft Type	<b>JM</b>	Overall Length	<b>14.82 in</b>
Frame Length	<b>9.00 in</b>	Shaft Diameter	<b>0.875 in</b>
Shaft Extension	<b>4.25 in</b>	Assembly/Box Mounting	<b>F1 ONLY</b>
Connection Drawing	<b>005062.01ME</b>	Outline Drawing	<b>035669-900</b>



(4) 3/8-16 UNC-2B X .56 DEEP ON A Ø5.875 B.C.

FRAME	"C"	"AD"
800	13.82	4.13
850	14.32	4.63
900	14.82	5.13
950	15.32	5.63
1000	15.82	6.13
1050	16.32	6.63
1100	16.82	7.13
1150	17.32	7.63
1200	17.82	8.13

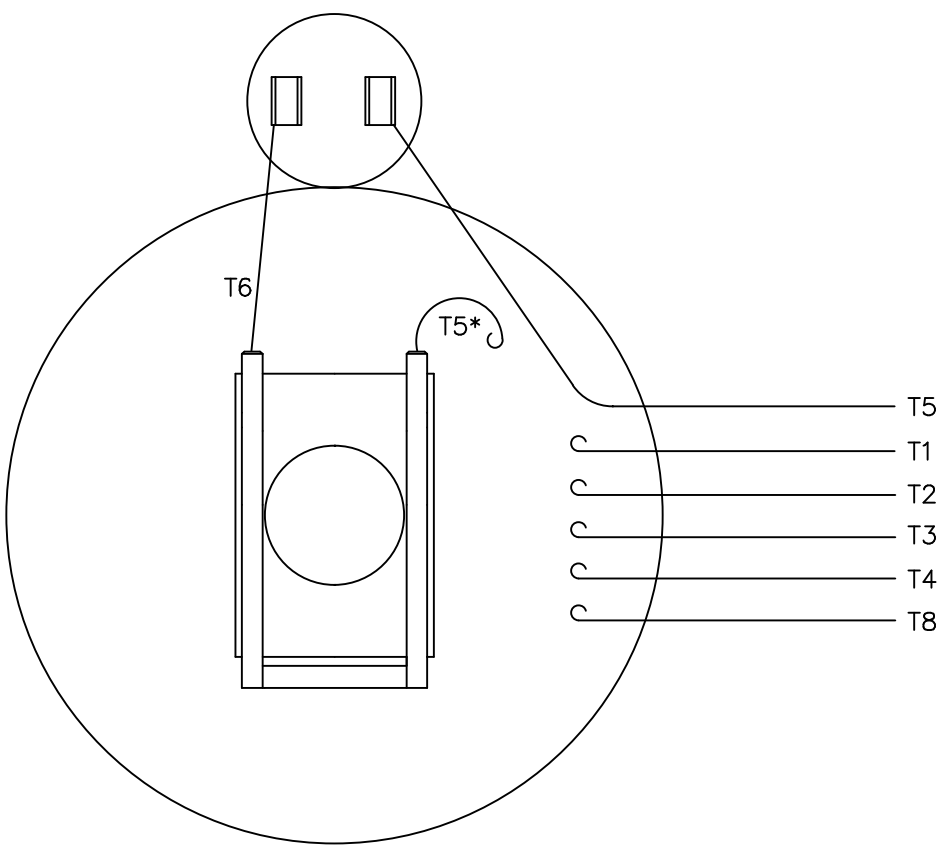
(3) Ø1.13 KNOCKOUTS



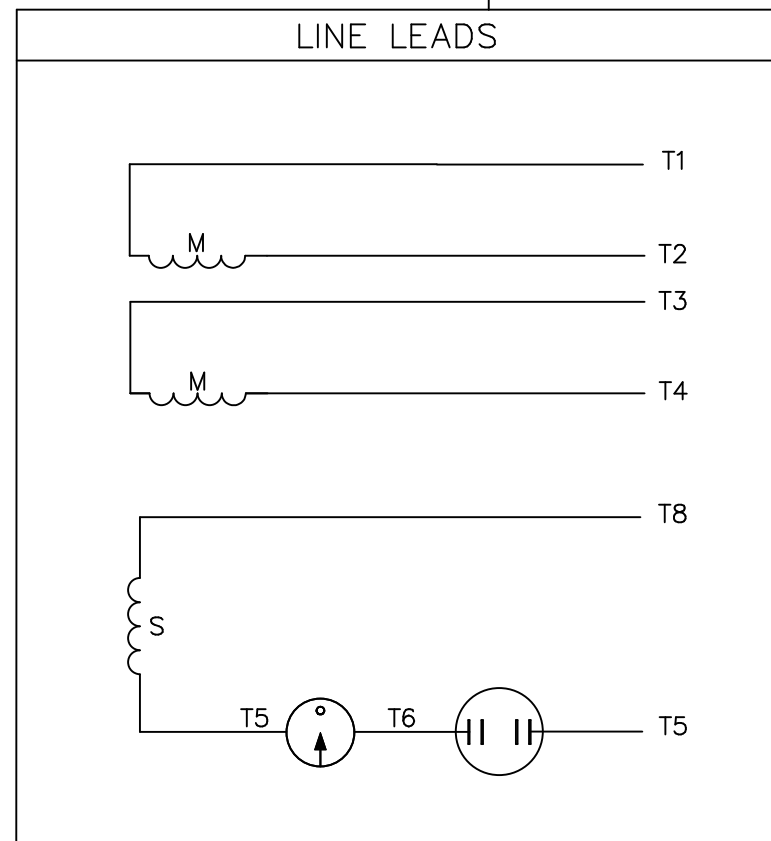
GASKETS THROUGHOUT  
 MAXIMUM FACE RUNOUT TO BE .004 T.I.R.  
 MAXIMUM PILOT ECCENTRICITY TO BE .004 T.I.R.  
 PERMISSIBLE SHAFT RUNOUT TO BE .002 T.I.R.

REVISION		BY & DATE	CHK	ANG	±1/2'	FINISH			DRAWN GRB 04/18/08
A	REMOVED L FROM THE TABLE	VV 7/1/2009					TITLE OUTLINE- 180T FRAME DRIP PROOF- RIGID		CHK YS 04/18/08
THIS DRAWING IN DESIGN AND DETAIL IS OUR PROPERTY AND MUST NOT BE USED EXCEPT IN CONNECTION WITH OUR WORK ALL RIGHTS OF DESIGN AND INVENTION ARE RESERVED THIS IS AN ELECTRONICALLY GENERATED DOCUMENT - DO NOT SCALE THIS PRINT						RFP	CAD FILE	035669	APPD
NO. REVISION BY & DATE CHK ANG ±1/2' FINISH							SIZE	DRAWING NO.	SCALE 1=2
							DIST		REF 035472
									FMF 184TCDW7047
									PREV
							B	035669	REV. A

VIEW FROM OUTSIDE OF MOTOR AT SWITCH END.



\* THIS LEAD MAY BE WHITE



	ROTATION FACING LEAD END	L1	L2	JOIN
HIGH VOLT	C.C.W.	T1	T4 T5	T2,T3 T8
	C.W.	T1	T4 T8	T2,T3 T5
LOW VOLT	C.C.W.	T1,T3 T8	T2,T4 T5	-----
	C.W.	T1,T3 T5	T2,T4 T8	-----

		TOLERANCES UNLESS SPECIFIED			
		DEC.	INCHES		
		.X	±.1		
		.XX	±.01		
		.XXX	±.005		
		.XXXX	±.0005		
NO.	REVISION	BY & DATE	CHK	ANG	±1/2'



TITLE	EXT. WIRING DIAGRAM TYPE "C" W/O PROTECTOR
MAT'L.	DECAL - 004012
FINISH	

DRAWN	RDW 6/30/03
CHK	
APPD	
SCALE	1=1
REF	
FMF	139043
PREV	

THIS DRAWING IN DESIGN AND DETAIL IS OUR PROPERTY AND MUST NOT BE USED EXCEPT IN CONNECTION WITH OUR WORK ALL RIGHTS OF DESIGN AND INVENTION ARE RESERVED THIS IS AN ELECTRONICALLY GENERATED DOCUMENT - DO NOT SCALE THIS PRINT		RFP	CAD FILE	00506201ME	SIZE	DRAWING NO.	REV.
		DIST			A	005062-01ME	

**CERTIFICATION DATA SHEET**

Model#: 182TCDW7074 AA WINDING#: C8434 NONE 3  
 CONN. DIAGRAM: 005062.01ME ASSEMBLY: F1 ONLY  
 OUTLINE: 035669-900

**TYPICAL MOTOR PERFORMANCE DATA**

HP	KW	SYNC. RPM	F.L. RPM	FRAME	ENCLOSURE	KVA CODE	DESIGN
2	1.49	1800	1750	182JM	DP	J	L

PH	Hz	VOLTS	FL AMPS	START TYPE	DUTY	INSL	S.F	AMB°C	ELEVATION
1	60	115/230	23/11.5	ACROSS THE LINE	CONTINUOUS	F4	1.15	40	3300

FULL LOAD EFF: 75.5	3/4 LOAD EFF: 74.4	1/2 LOAD EFF: 70.5	GTD. EFF	ELEC. TYPE	NO LOAD AMPS
FULL LOAD PF: 74	3/4 LOAD PF: 66.5	1/2 LOAD PF: 54	0	CAP START IND RUN	15 / 7.5

F.L. TORQUE	LOCKED ROTOR AMPS	L.R. TORQUE	B.D. TORQUE	F.L. RISE°C
6 LB-FT	137.4 / 68.7	14.7 LB-FT 245	14.6 LB-FT 243	45

SOUND PRESSURE @ 3 FT.	SOUND POWER	ROTOR WK^2	MAX. WK^2	SAFE STALL TIME	STARTS /HOUR	APPROX. MOTOR WGT
0 dBA	10 dBA	0.31 LB-FT^2	0 LB-FT^2	10 SEC.	0	0 LBS.

**\*\*\* SUPPLEMENTAL INFORMATION \*\*\***

DE BRACKET TYPE	ODE BRACKET TYPE	MOUNT TYPE	ORIENTATION	SEVERE DUTY	HAZARDOUS LOCATION	DRIP COVER	SCREENS	PAINT
C-FACE	STANDARD	RIGID	HORIZONTAL	FALSE	NONE	FALSE	NONE	BLUE (ENAMEL)

BEARINGS		GREASE	SHAFT TYPE	SPECIAL DE	SPECIAL ODE	SHAFT MATERIAL	FRAME MATERIAL
DE	OPE						
BALL	BALL	POLYREX EM	JM	NONE	NONE	AISI 1045 (C-240)	ROLLED STEEL
6207	6205						

THERMO-PROTECTORS				THERMISTORS	CONTROL	SPACE /n HEATERS
THERMOSTATS	PROTECTORS	WDG RTDs	BRG RTDs			
NONE	NOT	NONE	NONE	NONE	FALSE	NONE VOLTS

If Inverter equals NONE, contact factory for further information

INVERTER TORQUE: NONE
INV. HP SPEED RANGE: NONE
ENCODER: NONE
NONE NONE
NONE NONE PPR
BRAKE: NONE NONE
NONE P/N NONE
NONE NONE
NONE FT-LB NONE V NONE Hz

\*  
N  
O  
T  
E  
S  
\*

DATE: 06/27/2017 01:08:27 AM  
 FORM 3531 REV.3 02/07/99  
 \*\* Subject to change without notice.



**MARATHON ELECTRIC CORPORATION**  
TYPICAL PERFORMANCE CURVE for AC MOTOR

Customer

Curve at

230

Volts

HP 2.00

PHASE 1

Model No 182TCDW7074

60

HZ

VOLTS 115/230

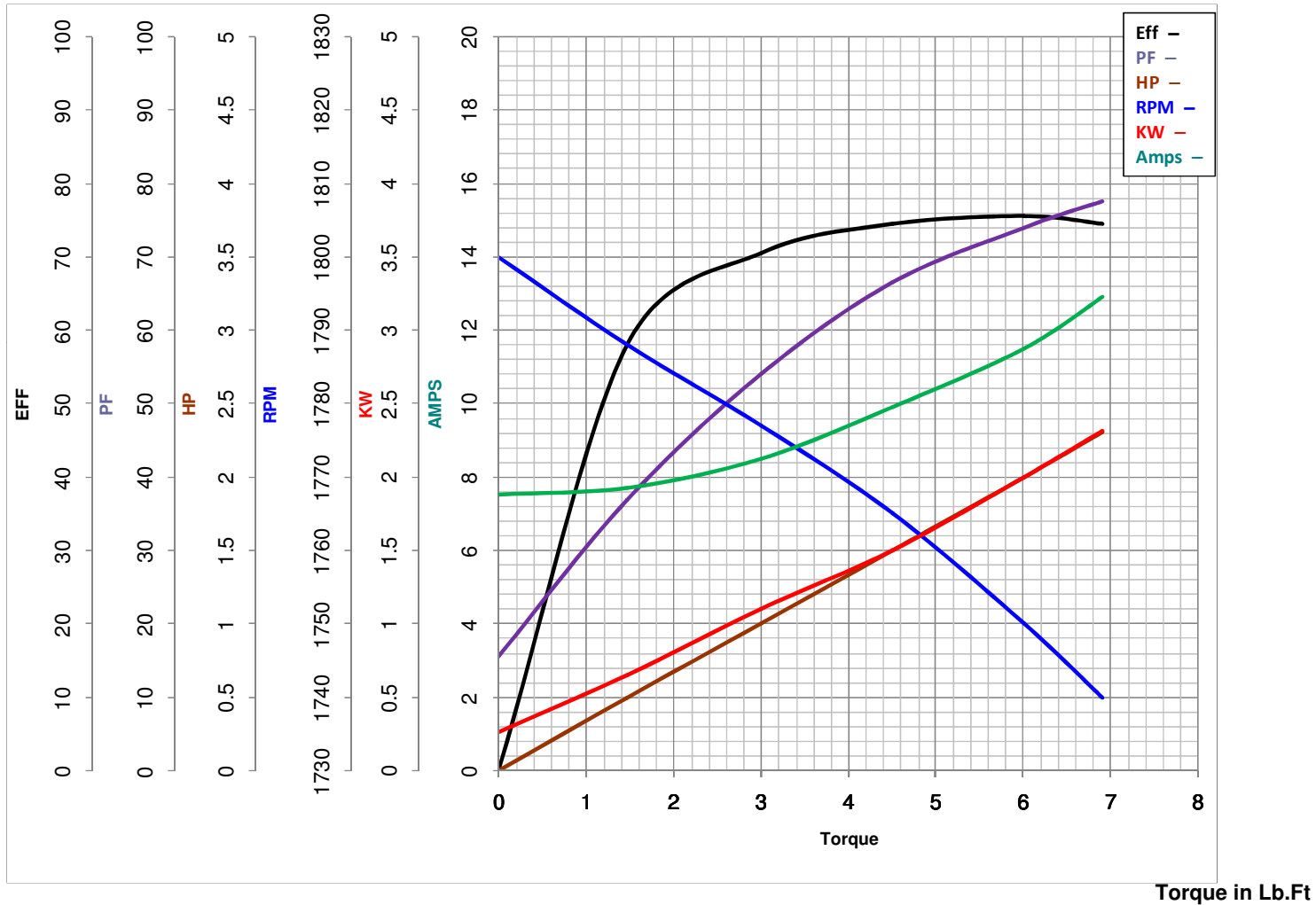
2

HP

Catalog No Z405A

HZ 60

RPM 1750



FL TORQUE	<u>6</u>	Lb.Ft	FL AMPS	<u>23/11.5</u>
BD TORQUE	<u>14.6</u>	Lb.Ft	PU TORQUE	<u>10.0</u> Lb.Ft
LR TORQUE	<u>14.7</u>	Lb.Ft	LR AMPS	<u>68.7</u>
WINDING	C8434-		Date	3/6/2019

## EC Declaration of Conformity

The undersigned representing  
the manufacturer:

Regal Beloit America  
100 East Randolph St.  
Wausau, WI 54401

and the authorized representative  
established within the Community:

Marathon Electric UK  
6F Thistleton Road Ind. Estate  
Market Overton  
Oakham, Rutland LE15 7PP UK

are committed to providing customers with products that comply with applicable regulations and international protocols to which they are subject, including the requirements of the European Parliament Directive on the Harmonization of the laws relating to electrical equipment designed for use within certain voltage limits (2014/35/EU).

Regal Beloit America declares that the following product(s), to which this declaration relates, are in conformity with the relevant sections of the EC standards listed below.

This statement supersedes any statements previously issued pertaining to the product(s) listed below and is subject to change without notice.

Model No : 182TCDW7074

(Model No. may contain prefix and/or suffix characters)

Catalog No : Z405A

Rework No : N/A

Directives :

Low Voltage Directive 2014/35/EU

Harmonized Standards Used :

EN 60034-1: 2010 (IEC 60034-1: 2010)

EN 60034-5: 2001/A1:2007 (IEC 60034-5: 2000/A1:2006)

Authorized Representative:



Michael A. Logsdon  
Vice President, Technology

Authorized Representative in the Community:



Julian Clark  
Marketing Engineer

Created on 09/01/2022

**CE 22**