

# PRODUCT INFORMATION PACKET

Model No: 182TCDR8007

Catalog No: C173

3 HP General Purpose Motor, 1 phase, 3600 RPM, 115/208-230 V, 182TC Frame, ODP  
General Purpose Motors



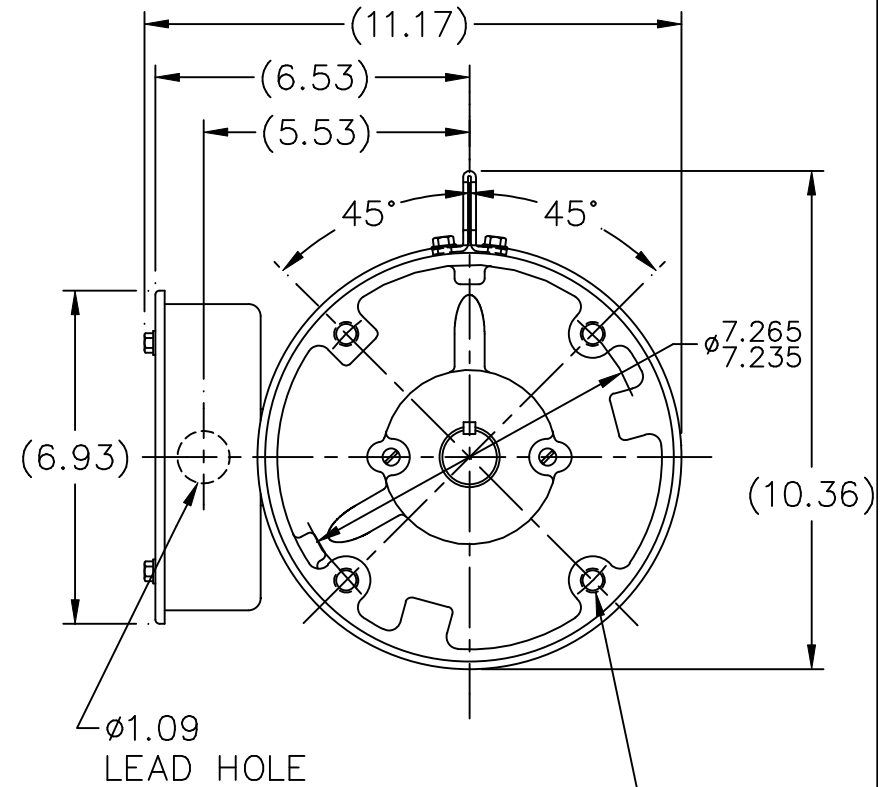
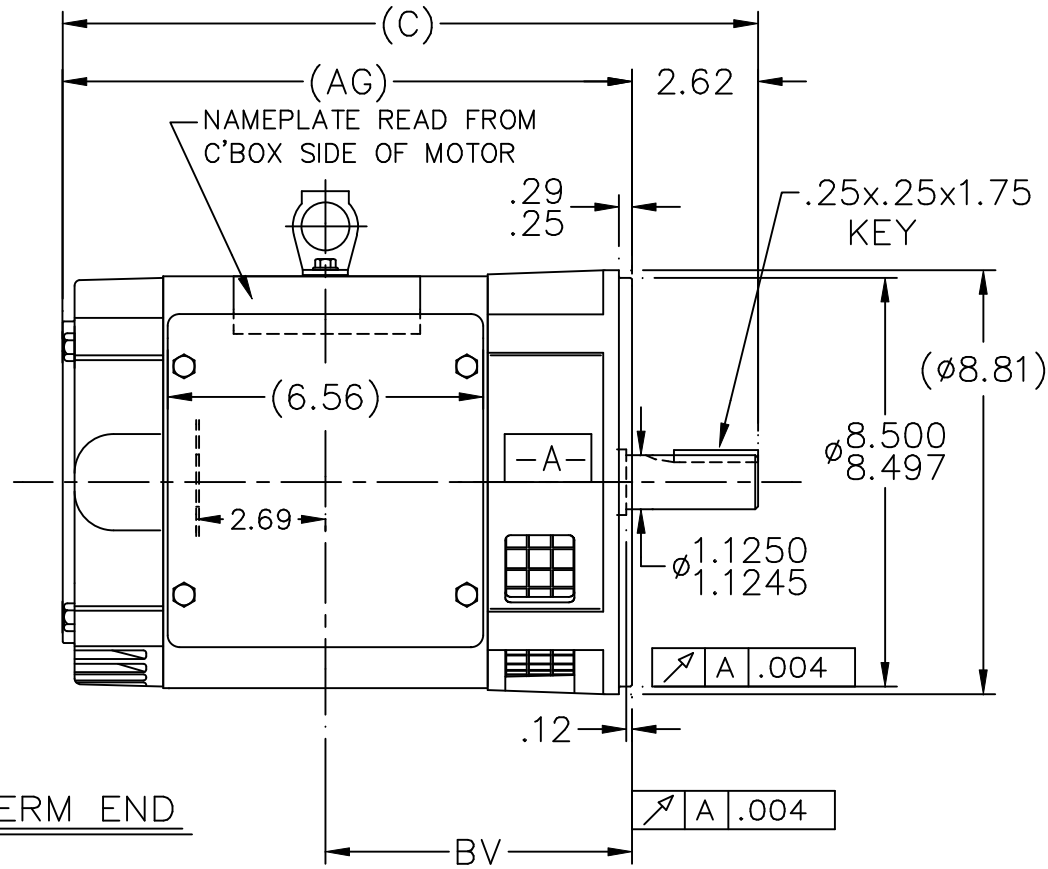
Regal and Marathon are trademarks of Regal Rexnord Corporation or one of its affiliated companies.  
©2021 Regal Rexnord Corporation, All Rights Reserved. MC017097E

### Nameplate Specifications

Output HP	<b>3 Hp</b>	Output KW	<b>2.2 kW</b>
Frequency	<b>60 Hz</b>	Voltage	<b>115/208-230 V</b>
Current	<b>32.0/19.0-16.0 A</b>	Speed	<b>3460 rpm</b>
Service Factor	<b>1.15</b>	Phase	<b>1</b>
Efficiency	<b>74 %</b>	Power Factor	<b>78.7</b>
Duty	<b>Continuous</b>	Insulation Class	<b>B</b>
Design Code	<b>L</b>	KVA Code	<b>G</b>
Frame	<b>182TC</b>	Enclosure	<b>Drip Proof</b>
Thermal Protection	<b>No</b>	Ambient Temperature	<b>40 °C</b>
Drive End Bearing Size	<b>6207</b>	Opp Drive End Bearing Size	<b>6205</b>
UL	<b>Recognized</b>	CSA	<b>Y</b>
CE	<b>Y</b>	IP Code	<b>23</b>
Number of Speeds	<b>1</b>		

### Technical Specifications

Electrical Type	<b>Capacitor Start Induction Run</b>	Starting Method	<b>Across The Line</b>
Poles	<b>2</b>	Rotation	<b>Selective Counterclockwise</b>
Resistance Main	<b>0 Ohms</b>	Mounting	<b>Round</b>
Motor Orientation	<b>Horizontal</b>	Drive End Bearing	<b>Ball</b>
Opp Drive End Bearing	<b>Ball</b>	Frame Material	<b>Rolled Steel</b>
Shaft Type	<b>T</b>	Overall Length	<b>13.96 in</b>
Frame Length	<b>6.25 in</b>	Shaft Diameter	<b>1.125 in</b>
Shaft Extension	<b>2.75 in</b>	Assembly/Box Mounting	<b>F1 ONLY</b>
Connection Drawing	<b>A-EE7085FP</b>	Outline Drawing	<b>A-SS67304-625</b>



TERM END

- NOTES:  
1. BOX CAN BE ROTATED IN 90° STEPS.

DASH	FR.	C	AG	BV
625	182T	13.96	11.34	6.13
775	184T	15.46	12.84	6.88
825	184T	15.96	13.34	7.13

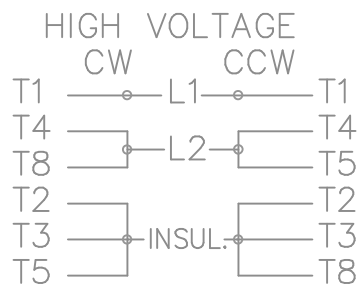
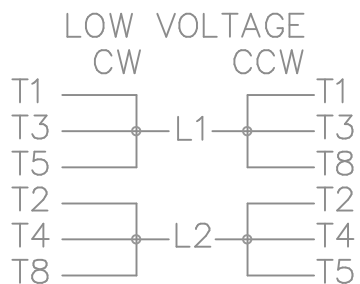
EXT. BERKELEY PUMP L-2171

				TOLERANCES UNLESS SPECIFIED		MARATHON ELECTRIC	DRAWN BLR 11-16-1995		
				DEC.	INCHES		CHK ML 11-29-1995	APPD GK 11-29-1995	
				.X	±.1	TITLE 180 FR.-BB-SCS-DR.PR.-C'FACE	SCALE 1=4		
				.XX	±.03		REF		
3	ADDED LIFTING LUG AND NAMEPLATE	MU76662	RJW 12-01-06	TAT	.XXX		±.005	FMF	
2	REDRAWN ON CAD		BLR 11-29-95		.XXXX	±.0005	PREV		
NO.	REVISION		BY & DATE	CHK	ANG	±'30"	FINISH	PREV	
THIS DRAWING IN DESIGN AND DETAIL IS OUR PROPERTY AND MUST NOT BE USED EXCEPT IN CONNECTION WITH OUR WORK ALL RIGHTS OF DESIGN AND INVENTION ARE RESERVED THIS IS AN ELECTRONICALLY GENERATED DOCUMENT - DO NOT SCALE THIS PRINT				RFP	CAD FILE SS67304		SIZE A	DRAWING NO. SS67304	REV. 3
				DIST	LB				

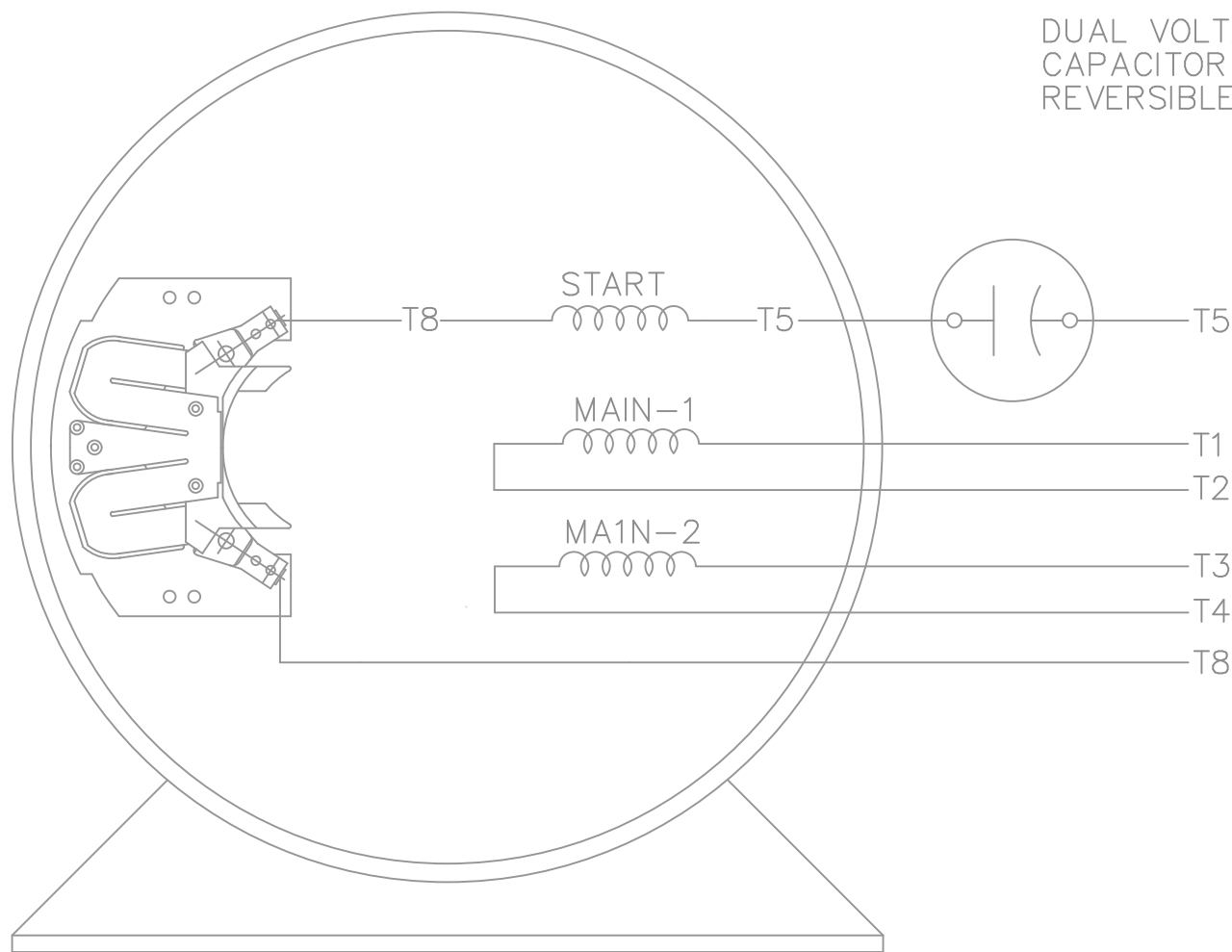
ERROR: syntaxerror  
OFFENDING COMMAND: --nostringval--

STACK:

/B  
-dictionary-  
/Pscript\_WinNT\_Compat  
-dictionary-



DUAL VOLTAGE  
CAPACITOR START  
REVERSIBLE



VIEW OF TERMINAL END

			TOLERANCES UNLESS SPECIFIED		<p><b>MARATHON</b> ELECTRIC</p>	DRAWN GK 09-24-1986			
			DEC.	INCHES		CHK FG 09-24-1986			
			.X	± -		APPD ML 09-24-1986			
			.XX	± -		SCALE 1=1			
			.XXX	± -		REF			
2	REDRAWN IN AUTOCAD	RWR 08-02-2004	.XXX	± -	TITLE CONNECTION DIAGRAM	FMF			
1	NEW DRAWING CN7664C	GK 12-15-1996	.XXXX	± -	MAT'L.	PREV			
NO.	REVISION	BY & DATE	CHK	ANG	FINISH				
THIS DRAWING IN DESIGN AND DETAIL IS OUR PROPERTY AND MUST NOT BE USED EXCEPT IN CONNECTION WITH OUR WORK ALL RIGHTS OF DESIGN AND INVENTION ARE RESERVED THIS IS AN ELECTRONICALLY GENERATED DOCUMENT - DO NOT SCALE THIS PRINT			RFP	CAD FILE EE7085FP		SIZE A	DRAWING NO. EE7085FP	PAGE 1 OF 1	REV. 2
			DIST LB						