

PRODUCT INFORMATION PACKET

Model No: 182TCDR7013

Catalog No: Z309

Crop Dryer Motor, 3 & 5 HP, 1 Ph, 60 & 60 Hz, 230 & 230 V, 3600 & 3600 RPM, 182TZ Frame, DPAO



Regal and Marathon are trademarks of Regal Rexnord Corporation or one of its affiliated companies.

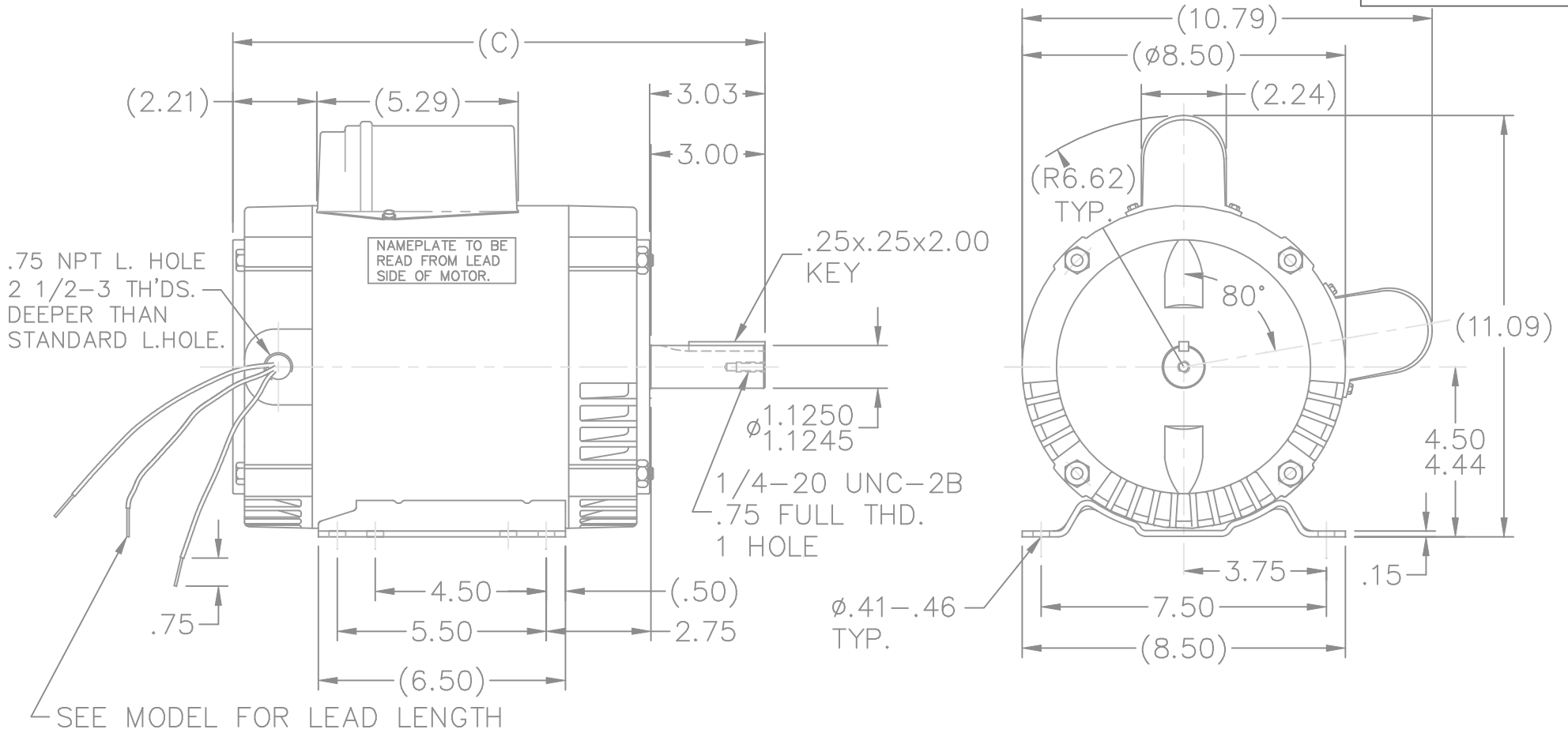
©2023 Regal Rexnord Corporation, All Rights Reserved. MC017097E

Nameplate Specifications

Phase	1	Output HP	3 & 5 Hp
Output KW	2.2 & 3.7 kW	Voltage	230 & 230 V
Speed	3530 & 3450 rpm	Service Factor	1.67 & 1.0
Frame	182TZ	Enclosure	Drip Proof Air Over
Thermal Protection	No Protection	Efficiency	77 & 72 %
Ambient Temperature	40 °C	Frequency	60 & 60 Hz
Current	15.8 & 25.3 A	Power Factor	79
Duty	Continuous	Insulation Class	F
Design Code	L	KVA Code	D
Drive End Bearing Size	6206	Opp Drive End Bearing Size	6205
UL	Recognized	CSA	Y
CE	N	IP Code	22
Number of Speeds	1		

Technical Specifications

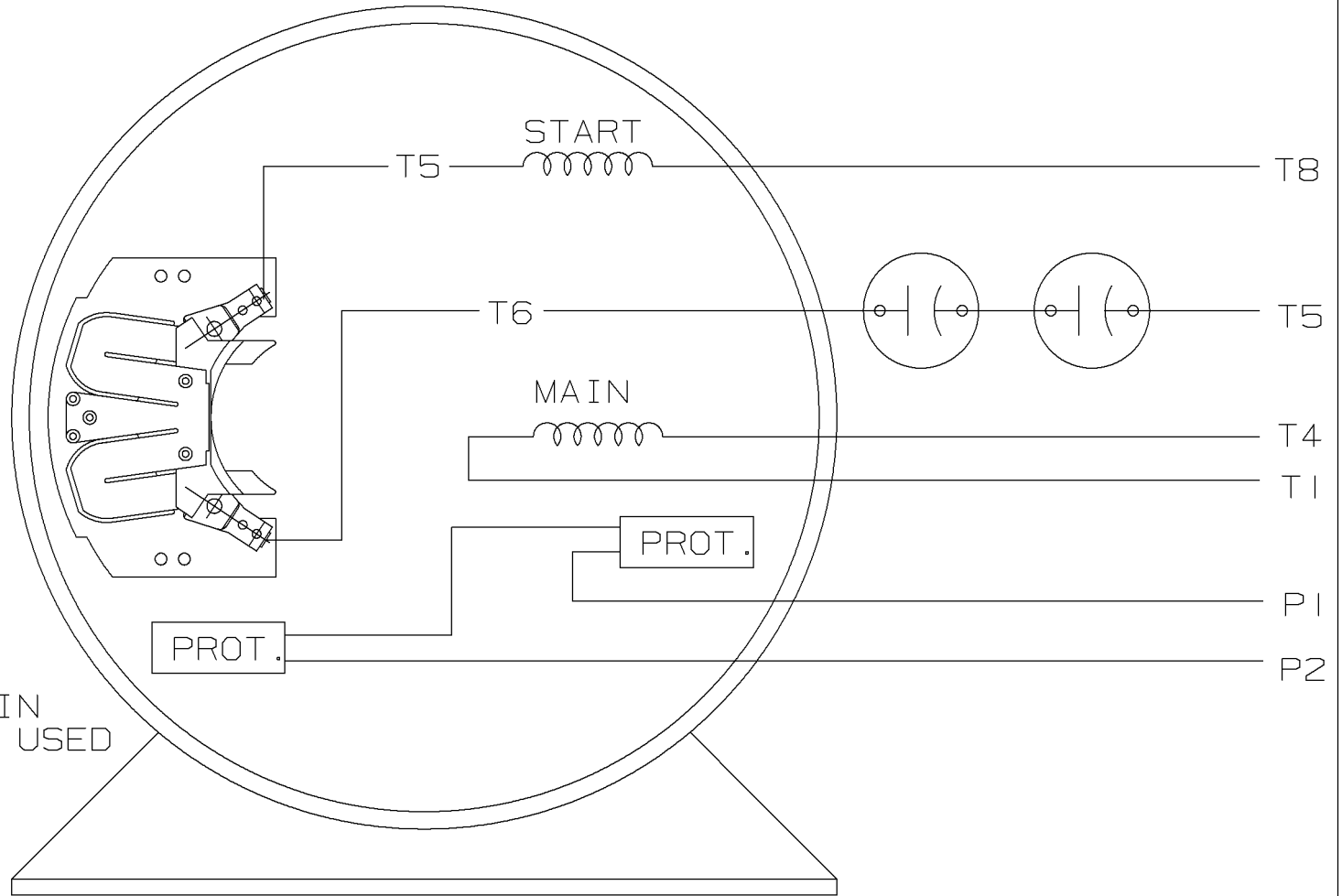
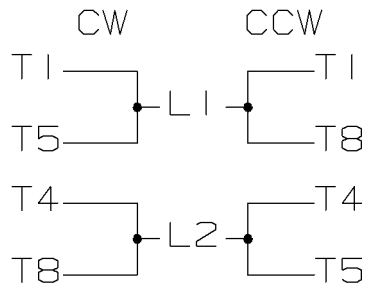
Electrical Type	Capacitor Start Induction Run	Starting Method	Across The Line
Poles	2	Rotation	Selective Counterclockwise
Resistance Main	.603 Ohms	Mounting	Rigid Base
Motor Orientation	Horizontal	Drive End Bearing	Ball
Opp Drive End Bearing	Ball	Frame Material	Rolled Steel
Shaft Type	Single Special Extension	Overall Length	15.00 in
Frame Length	7.75 in	Shaft Diameter	0.875 in
Shaft Extension	3.03 in	Assembly/Box Mounting	F1 OUT ODE BRKT RADIAL
Outline Drawing	A-SS66062-775	Connection Drawing	A-EE7090JM



DASH	FR.	C	MOUNTING	DASH	FR.	C	MOUNTING
725	182/4	14.50	F1 ONLY	925	182/4	16.50	F1 ONLY
775	182/4	15.00	F1 ONLY				
825	182/4	15.50	F1 ONLY				
875	182/4	16.00	F1 ONLY				

				TOLERANCES UNLESS SPECIFIED			DRAWN KL 01-10-1994						
				DEC.	INCHES		CHK ML 01-11-1994	APPD GK 01-11-1994					
10	REDRAWN IN AUTOCAD	TAT	06-13-2005	ML	.X ±.1	TITLE OUTLINE 180 FR. - BB - SCS - DR.PR.	SCALE 1=4						
9	ADDED 182 FR. SIZE & MOUNTINGS CN 27400-320	CAE	11-02-1999		.XX ±.03		REF	FMF					
8	3.03 WAS 3.10 ON SHAFT EXTENSION CN 27400-179	DRS	05-10-1999		.XXX ±.005		PREV						
7	REVISED BASE CN 21725-1004	MH	10-24-1996		.XXXX ±.0005								
NO.	REVISION	BY & DATE	CHK	ANG	±7'30"	FINISH							
THIS DRAWING IN DESIGN AND DETAIL IS OUR PROPERTY AND MUST NOT BE USED EXCEPT IN CONNECTION WITH OUR WORK ALL RIGHTS OF DESIGN AND INVENTION ARE RESERVED THIS IS AN ELECTRONICALLY GENERATED DOCUMENT - DO NOT SCALE THIS PRINT						RFP	CAD FILE	ss66062	SIZE	DRAWING NO.	PAGE	OF	REV.
						DIST	LB	A	SS66062			10	

SINGLE VOLTAGE CAPACITOR START
MOTOR, ELECTRICALLY REVERSIBLE



CONNECT PROTECTORS IN
SERIES WHEN TWO ARE USED

VIEW OF TERMINAL END

				✓ MAX. SURFACE ROUGHNESS UNLESS NOTED OTHERWISE	UNLESS OTHERWISE SPECIFIED DIMENSIONS ARE IN INCHES TOL. ON XX± .02 XXX± .005 XXXX± .0005 ANGLES± 7°30"		
				MATL SPEC	180 - 210 SWITCH	DRAWN BY GK	01-10-1987
				FINISH		CHKD BY	
1	01-10-1987	NEW DRAWING	CN-7664C	GK	REFERENCE DRW.	WAUSAU, WISCONSIN 54401	APPD BY
REV	DATE	CHANGE	NAME	PART NAME CONNECTION DIAGRAM			DRWG NO A- EE7090JM

SHOP BOOK

PURCHASED

DISTRIBUTION - WA - LB - WP - LM - BR

CADD FILE NO.

EE7090JM

ERROR: syntaxerror
OFFENDING COMMAND: --nostringval--

STACK:

/im
-savelevel-