

PRODUCT INFORMATION PACKET

marathon[®]
Motors

Model No: 91130-64
Catalog No: 91130-64
B-91130-64 TACH HS35R409684P7

Regal and Marathon are trademarks of Regal Rexnord Corporation or one of its affiliated companies.
©2025 Regal Rexnord Corporation, All Rights Reserved. MC017097E

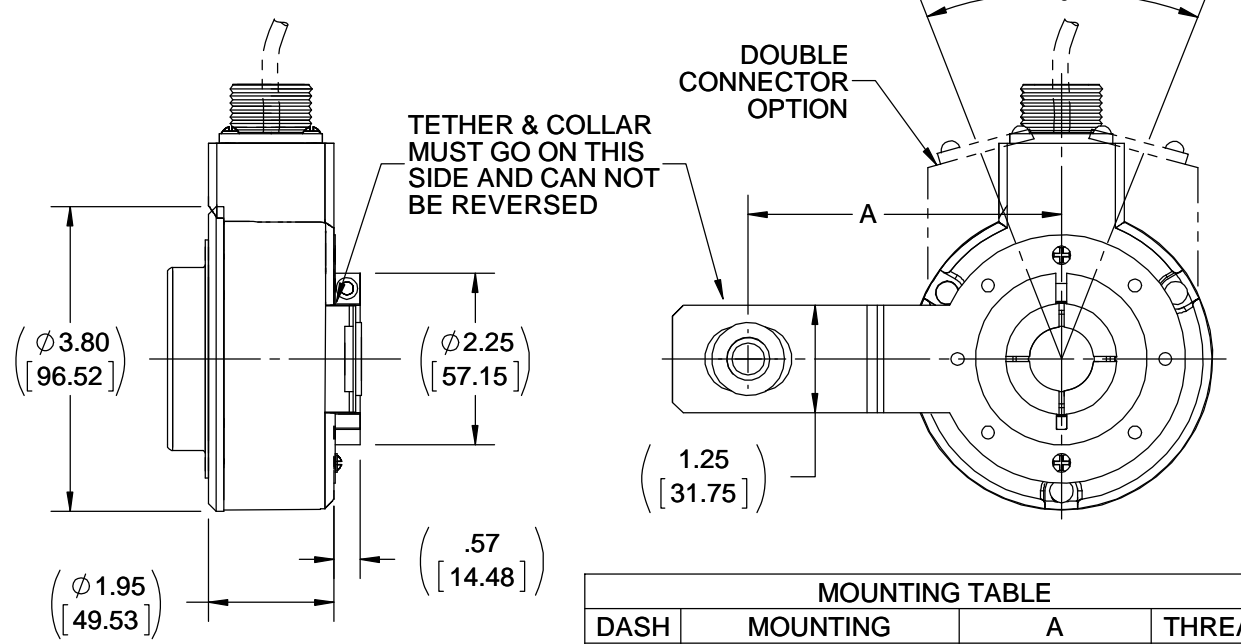
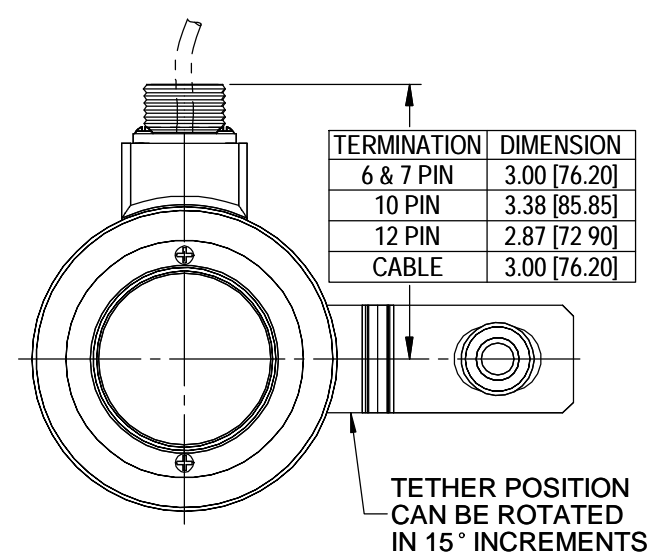
RegalRexnord

Nameplate Specifications

Technical Specifications

This is an uncontrolled document once printed or downloaded and is subject to change without notice. Date Created:04/04/2025

DASH	VENDOR PART NUMBER	REV	SHAFT SIZE	FIG	TERMINATION	MOUNTING DASH	
11-13-2000	30	NA	-	1.0000/.9995 [25.4000/25.3873]	1	DBL. PIGTAIL	1
11-13-2000	29	NA	10	1.0000/.9995 [25.4000/25.3873]	1	DBL. PIGTAIL	1
11-13-2000	28	HS35R2048H7R7	-	1.0000/.9995 [25.4000/25.3873]	1	DBL. MS CONN	1
11-13-2000	27	HS35R1024H7R7	10	1.0000/.9995 [25.4000/25.3873]	1	DBL. MS CONN	1
11-13-2000	26	HS35R2048H6R7	-	1.0000/.9995 [25.4000/25.3873]	1	DBL. MS CONN	1
11-13-2000	25	HS35R102486R7	-	.6250/.6245 [15.875/15.862]	1	DBL. MS CONN	1
11-13-2000	24	HS35R204886R7	-	.6250/.6245 [15.875/15.862]	1	DBL. MS CONN	1
10-11-2000	23	USE -25					
08-22-2000	22	HS35R012084P7	-	.6250/.6245 [15.875/15.862]	1	MS CONN	1
	21	HS35R030084P7	10	.6250/.6245 [15.875/15.862]	1	MS CONN	1
06-08-2000	20	HS35R001284P7	-	.6250/.6245 [15.875/15.862]	1	MS CONN	1
02-21-2000	19	HS35R2500H4P7	-	1.0000/.9995 [25.4000/25.3873]	1	MS CONN	1
10-07-1999	18	HS35R1024H5N7	-	1.0000/.9995 [25.4000/25.3873]	2	MS CONN	1
02-12-1999	17	SEE DWG 93285 PG 2,-17 FOR PART NUMBER	15	1.0000/.9995 [25.4000/25.3873]	1	PIG TAIL	1
10-22-1998	16	HS35R0512H4P7	15	1.0000/.9995 [25.4000/25.3873]	1	MS CONN	1
05-15-1998	15	HS35R051284P7	-	.6250/.6245 [15.875/15.862]	1	MS CONN	1
05-15-1998	14	HS35R0512H5P7	-	1.0000/.9995 [25.4000/25.3873]	2	MS CONN	1
05-15-1998	13	SEE DWG 93285 PG 2,-13 FOR PART NUMBER	15	1.0000/.9995 [25.4000/25.3873]	1	PIG TAIL	1
01-19-1998	12	HS35R2048H4P7	15	1.0000/.9995 [25.4000/25.3873]	1	MS CONN	1
11-05-1997	11	HS35R0250H2P7	-	1.0000/.9995 [25.4000/25.3873]	1	MS CONN	2
10-21-1997	10	HS35R204885P7	-	.6250/.6245 [15.875/15.862]	2	MS CONN	1
10-24-2007	9	SEE DWG 93285 PG 2,-9 FOR PART NUMBER	15	1.0000/.9995 [25.4000/25.3873]	1	PIG TAIL	1
10-24-2007	8	HS35R2048H5P7	15	1.0000/.9995 [25.4000/25.3873]	2	MS CONN	1
10-24-2007	7	HS35R204884P7	15	.6250/.6245 [15.875/15.862]	1	MS CONN	1
01-23-1997	6	HS35R1024H2P7	15	1.0000/.9995 [25.4000/25.3873]	1	MS CONN	2
01-20-1997	5	HS35R1024H4P7	15	1.0000/.9995 [25.4000/25.3873]	1	MS CONN	1
10-24-2007	4	SEE DWG 93285 PG 2,-4 FOR PART NUMBER	-	1.0000/.9995 [25.4000/25.3873]	1	PIG TAIL	1
	3	HS35R102485P7	15	.6250/.6245 [15.875/15.862]	2	MS CONN	1
10-24-2007	2	HS35R102484P7	15	.6250/.6245 [15.875/15.862]	1	MS CONN	1
10-24-2007	1	HS35R1024H5P7	15	1.0000/.9995 [25.4000/25.3873]	2	MS CONN	1

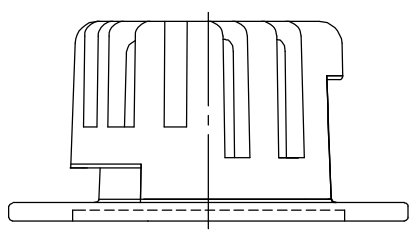


MOUNTING TABLE			
DASH	MOUNTING	A	THREAD
1	4.50 [114.30] C'FACE	2.93 [74.42]	3/8
2	8.50 [215.90] C'FACE	3.625 [92.075]	1/2

TETHER HARDWARE SUPPLIED BY DANAHER

FIG. 1

NOTE: RECOMENDED SHAFT EXTENSION 1.25 [31.75] MIN.

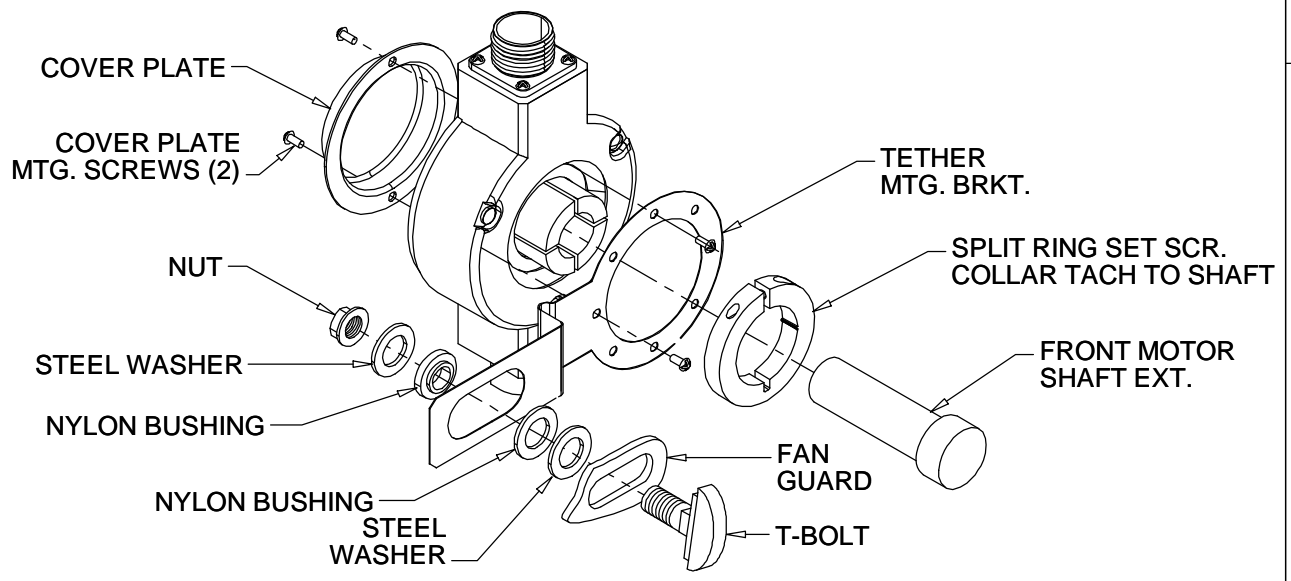


9138 TACHOMETER COVER
IS SUPPLIED WITH TACHOMETER WHERE 10TH DIGIT = 4, 5, 6 OR 7 (EX: HS352048G54B7)

- 4 = 3/8" BOLTS FOR C'FACE MOUNTS & TENV UNMACHINED BRACKETS
- 5 = 10-24 SCREWS & T-BOLT FOR FAN GUARD MOUNTING

MOUNTING HARDWARE SUPPLIED BY DYNAPAR

** 91318 TACHOMETER COVER IS NOT SUPPLIED WITH TACHOMETER WHEN 10TH DIGIT = 1 OR 2



* NOT SUITABLE FOR DIV. 2. USE HSD35, DRAWING B-92927, FOR DIVISION 2 REQUESTS.*

DRAWING REVISION AU	REVISION BY JP	DATE 08-02-2018
ECO ECO-0150071	APPROVED BY DJK	DATE 08-02-2018

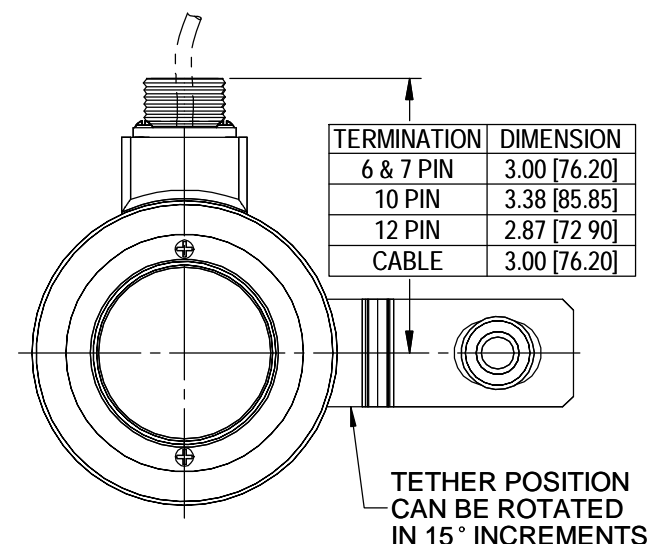
TOLERANCES UNLESS OTHERWISE SPECIFIED:			
DEC.	INCH	mm	ANGLE
.X	±0.1	[±2.5]	±7° 30"
.XX	±0.02	[±0.51]	
.XXX	±0.005	[±0.127]	
.XXXX	±0.0005	[±0.0127]	
REMOVE BURRS & BREAK SHARP EDGES: .003/.015 [.076/.381] X 45°			
CORNER FILLETS: R.02 [.51]			
MACHINED SURFACES: 200 INCH/mm 5.1			
mm SHOWN IN [BRACKETS]			

DRAWN BY TJB
DATE 08-15-2000
APPROVED BY GK
DATE 08-15-2000
REFERENCE
THIRD ANGLE PROJECTION

REGAL ™ Regal Beloit America, Inc.	
DESCRIPTION ENCODER DYNAPAR CONTROLS HS35R	
MATERIAL	PROCESS/FINISH
SIZE B	DRAWING NUMBER 91130
SHEET 1 OF 3	

COPYRIGHT REGAL BELOIT AMERICA, INC. ALL RIGHTS RESERVED. PROPRIETARY AND CONFIDENTIAL INFORMATION - THIS DOCUMENT IS THE PROPERTY OF REGAL BELOIT AMERICA, INC. ("OWNER") AND CONTAINS OWNER'S PROPRIETARY INFORMATION. ANY PERSON, CORPORATION OR OTHER FIRM RECEIVING IT IS DEEMED, BY RECEIVING IT, TO AGREE THAT IT, AND/OR ANY PART OF IT, SHALL NOT BE DISCLOSED TO ANY PERSON, CORPORATION OR OTHER ENTITY, DUPLICATED, AND/OR USED, EXCEPT AS EXPRESSLY APPROVED IN WRITING IN ADVANCE BY OWNER. THIS DOCUMENT SHALL BE RETURNED TO OWNER UPON REQUEST. IT MAY BE SUBJECT TO CERTAIN RESTRICTIONS UNDER APPLICABLE EXPORT CONTROL LAWS AND REGULATIONS.

DASH	VENDOR PART NUMBER	REV	SHAFT SIZE	FIG	TERMINATION	MOUNTING DASH	
05-30-2008	60	HS35R0240H4P7	11	1.0000/.9995 [25.4000/25.3873]	1	MS CONN	1
	59	NA SAME AS -29	-				
05-30-2008	58	HS35R0100H515	10	1.0000/.9995 [25.4000/25.3873]	2	6 PIN MS. CONN	
11-26-2007	57	HS35R0100H4P7	-	1.0000/.9995 [25.4000/25.3873]	2	MS CONN	
11-26-2007	56	SEE DWG 93285 PG 2.-56 FOR PART NUMBER	-	1.0000/.9995 [25.4000/25.3873]	1	PIG TAIL	
07-09-2007	55	NA	-	1.1250/1.1245 [28.575/28.5623]	1	PIG TAIL	2
05-22-2006	54	HS35R100086R7	-	.6250/.6245 [15.875/15.862]	1	MS CONN	1
07-12-2005	53	HS35R102475P7	9	.5000/.4995 [12.700/12.687]	1	MS CONN	1
07-12-2005	52	HS35R006084P7	-	.6250/.6245 [15.875/15.862]	1	MS CONN	1
10-11-2004	51	NA	9	1.1250/1.1245 [28.575/28.5623]	1	DBL. PIG TAIL	1
10-04-2004	50	SEE DWG 93285 PG 2.-50 FOR PART NUMBER	-	1.0000/.9995 [25.4000/25.3873]	1	PIG TAIL	1
09-16-2004	49	HS35R10249577	-	15mm (.5906)	1	MS CONN	
05-27-2004	48	HS35R0360H4P7	9	1.0000/.9995 [25.4000/25.3873]	1	MS CONN	1
06-06-2003	47	HS35R010084P7	-	.6250/.6245 [15.875/15.862]	1	MS CONN	
04-15-2003	46	HS35R102484P2	9	.6250/.6245 [15.875/15.862]	1	MS CONNECTOR ONLY NO MATING CONNECTOR	1
12-04-2002	45	NA	9	1.1250/1.1245 [28.575/28.5623]	1	PIG TAIL	2
11-22-2002	44	HS35R1024J2P2	-	1.1250/1.1245 [28.575/28.5623]		MS CONNECTOR ONLY NO MATING CONNECTOR	2
10-22-2002	43	HS35R1024H4P2	9	1.0000/.9995 [25.4000/25.3873]	1	MS CONNECTOR ONLY NO MATING CONNECTOR	1
10-21-2002	42	HS35R204884P2	10	.6250/.6245 [15.875/15.862]	1	MS CONNECTOR ONLY NO MATING CONNECTOR	1
	41	HS35R2048H4P2	10	1.0000/.9995 [25.4000/25.3873]	1	MS CONNECTOR ONLY NO MATING CONNECTOR	1
06-14-2002	40	NA	10	1.1250/1.1245 [28.575/28.5623]	1	PIG TAIL	1
03-08-2002	39	HS35R204884P7PS	-	.6250/.6245 [15.875/15.862]	1	MS CONN	1
02-25-2002	38	HS35R102484P7	-	.6250/.6245 [15.875/15.862]	1	MS CONN	1
02-01-2002	37	HS35R060084P7	-	.6250/.6245 [15.875/15.862]	1	MS CONN	1
12-18-2001	36	HS35R150084P7	-	.6250/.6245 [15.875/15.862]	1	MS CONN	1
12-14-2001	35	HS35R1500H5P7	-	.6250/.6245 [15.875/15.862]	2	MS CONN	1
12-03-2001	34	BOGUS PART NO.	10	.6250/.6245 [15.875/15.862]	1	MS CONN	1
04-20-2001	33	HS35R051284P7	-	.6250/.6245 [15.875/15.862]	1	MS CONN	1
02-15-2001	32	HS35R250084P7	10	.6250/.6245 [15.875/15.862]	1	MS CONN	1
01-04-2001	31	SEE DWG 93285 PG 2.-31 FOR PART NUMBER	-	.6250/.6245 [15.875/15.862]	1	PIG TAIL	1



TETHER HARDWARE SUPPLIED BY DANAHER

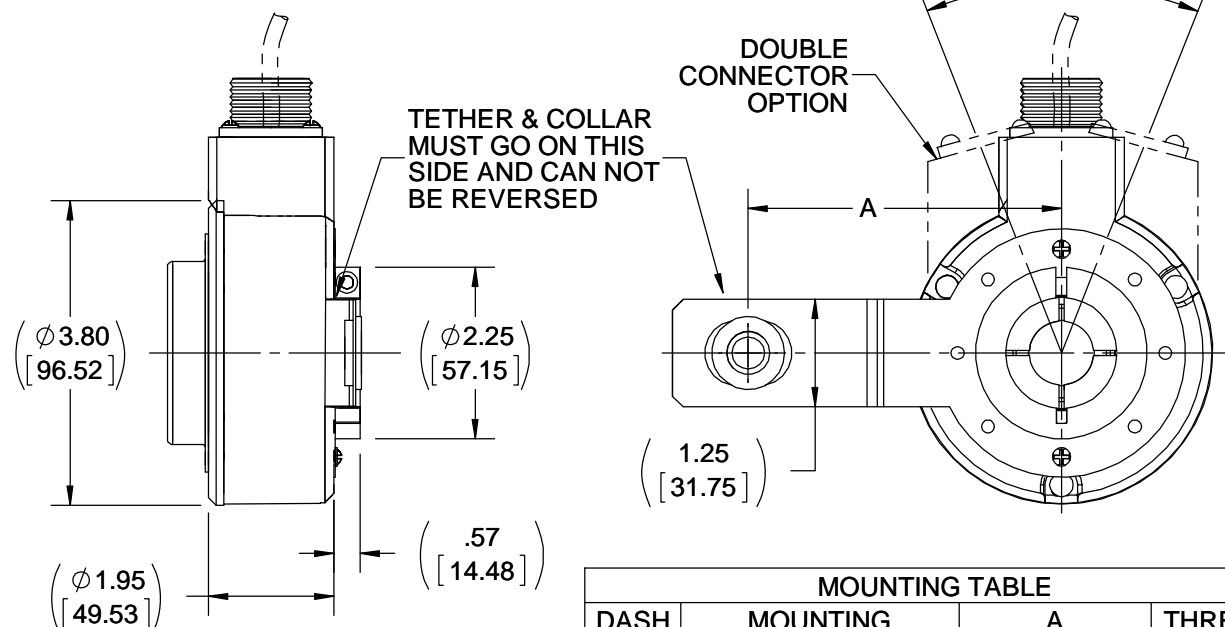
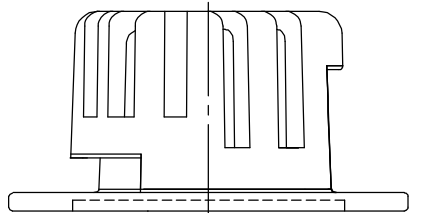


FIG. 1

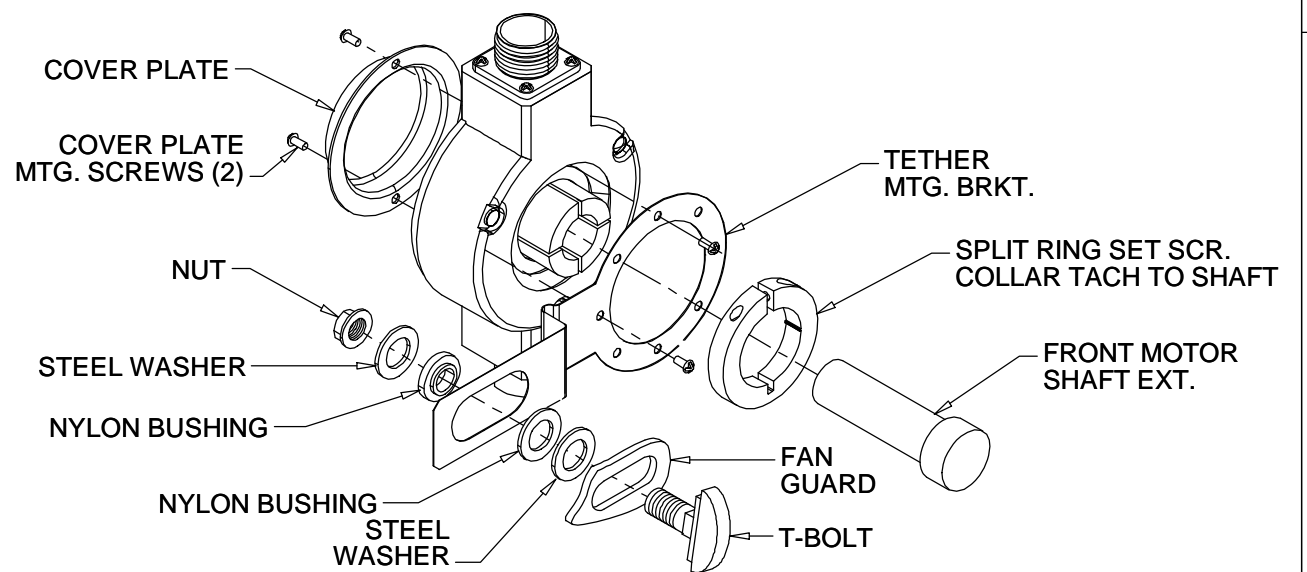
NOTE: RECOMENDED SHAFT EXTENSION 1.25 [31.75] MIN.



9138 TACHOMETER COVER IS SUPPLIED WITH TACHOMETER WHERE 10TH DIGIT = 4, 5, 6 OR 7 (EX: HS352048G54B7)

4 = 3/8" BOLTS FOR C'FACE MOUNTS & TENV UNMACHINED BRACKETS
 5 = 10-24 SCREWS & T-BOLT FOR FAN GUARD MOUNTING
 MOUNTING HARDWARE SUPPLIED BY DYNAPAR

** 9138 TACHOMETER COVER IS NOT SUPPLIED WITH TACHOMETER WHEN 10TH DIGIT = 1 OR 2



* NOT SUITABLE FOR DIV. 2. USE HSD35, DRAWING B-92927, FOR DIVISION 2 REQUESTS.*

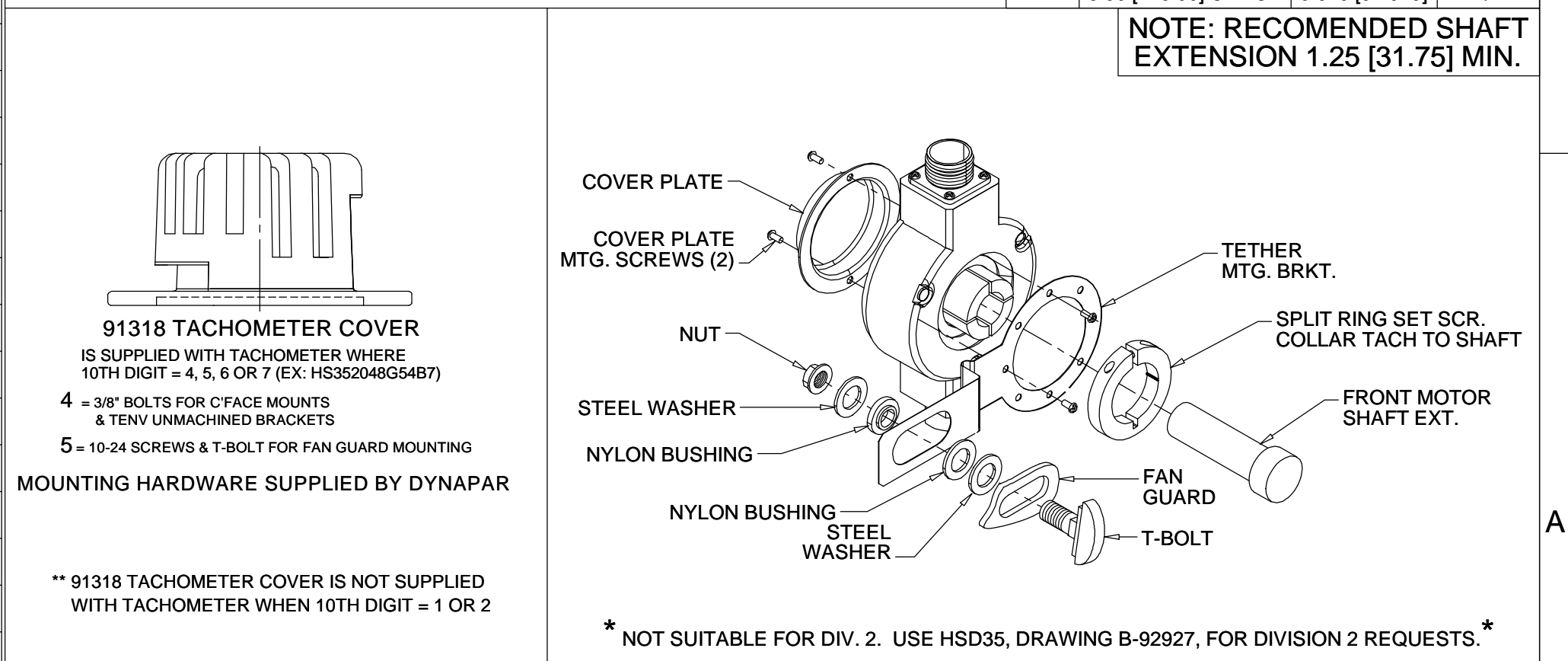
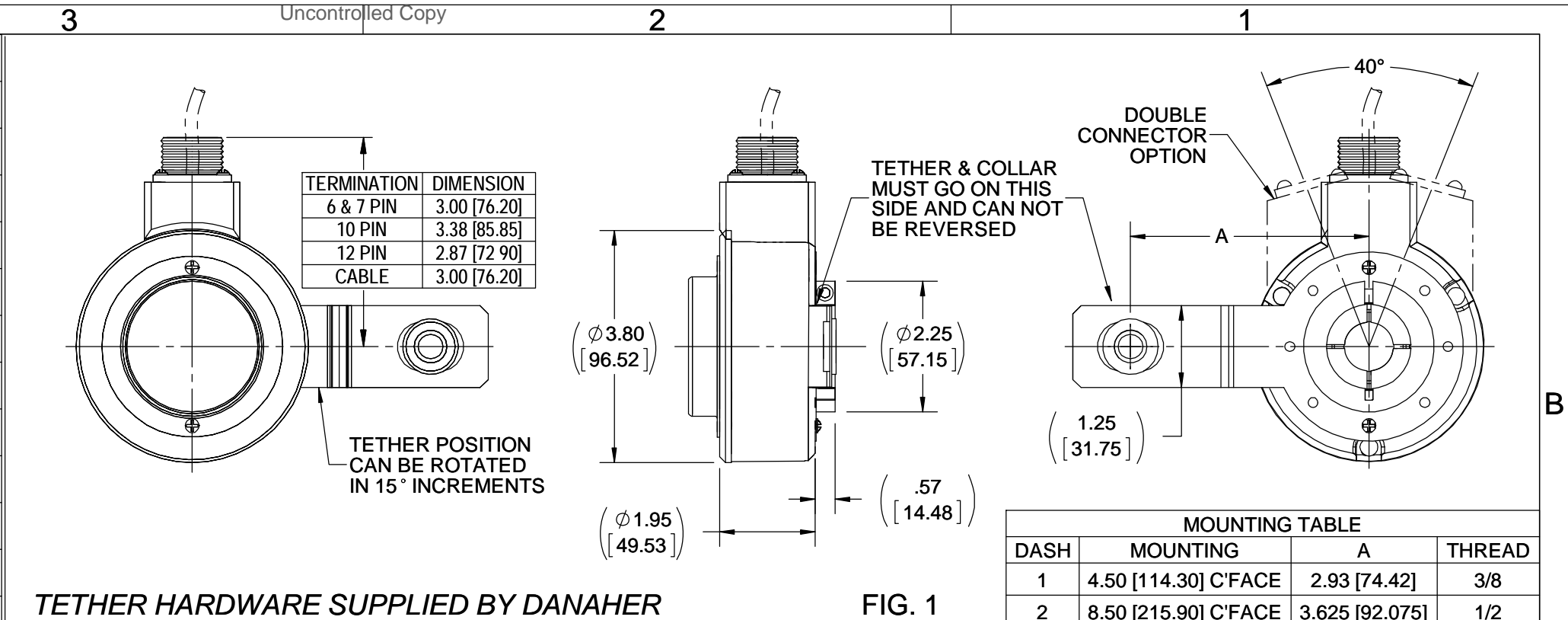
DRAWING REVISION	REVISION BY	DATE
AU	JP	08-02-2018
ECO	DJK	08-02-2018
ECO DESCRIPTION		
ADDED -82		
<small>COPYRIGHT REGAL BELOIT AMERICA, INC. ALL RIGHTS RESERVED. PROPRIETARY AND CONFIDENTIAL INFORMATION - THIS DOCUMENT IS THE PROPERTY OF REGAL BELOIT AMERICA, INC. ("OWNER") AND CONTAINS OWNER'S PROPRIETARY INFORMATION. ANY PERSON, CORPORATION OR OTHER FIRM RECEIVING IT IS DEEMED, BY RECEIVING IT, TO AGREE THAT IT, AND/OR ANY PART OF IT, SHALL NOT BE DISCLOSED TO ANY PERSON, CORPORATION OR OTHER ENTITY, DUPLICATED, AND/OR USED, EXCEPT AS EXPRESSLY APPROVED IN WRITING IN ADVANCE BY OWNER. THIS DOCUMENT SHALL BE RETURNED TO OWNER UPON REQUEST. IT MAY BE SUBJECT TO CERTAIN RESTRICTIONS UNDER APPLICABLE EXPORT CONTROL LAWS AND REGULATIONS.</small>		

TOLERANCES UNLESS OTHERWISE SPECIFIED:			
DEC.	INCH	mm	ANGLE
.X	±0.1	[±2.5]	±7° 30"
.XX	±0.02	[±0.51]	
.XXX	±0.005	[±0.127]	
.XXXX	±0.0005	[±0.0127]	
REMOVE BURRS & BREAK SHARP EDGES: .003/.015 [.076/.381] X 45° CORNER FILLETS: R.02 [.51] MACHINED SURFACES: 200 INCH/mm 5.1 mm SHOWN IN [BRACKETS]			

DRAWN BY	
TJB	
DATE	
08-15-2000	
APPROVED BY	
GK	
DATE	
08-15-2000	
REFERENCE	
THIRD ANGLE PROJECTION	

REGAL™ Regal Beloit America, Inc.	
DESCRIPTION	
ENCODER	
DYNAPAR CONTROLS HS35R	
MATERIAL	
PROCESS/FINISH	
SIZE	DRAWING NUMBER
B	91130
SHEET	
2 OF 3	

DASH	VENDOR PART NUMBER	REV	SHAFT SIZE	FIG	TERMINATION	MOUNTING DASH	
09/02/2018	82	HS35R1024H14A	A	1.0000/.9995 [25.4000/25.3873]	1	PIG TAIL	1
07/11/2018	81	HS35R1024H1RA	A	1.0000/.9995 [25.4000/25.3873]	1	PIG TAIL	1
02/05/2018	80	HS35R10248482	A	.6250/.6245 [15.875/15.862]	1	10 PIN	1
02/05/2018	79	HS35R10248182	A	.6250/.6245 [15.875/15.862]	1	10 PIN	1
02-01-2018	78	HS35R1024H3PA	A	1.0000/.9995 [25.4000/25.3873]	1	PIG TAIL	1
08-16-2017	77	HS35R500084P7	A	.6250/.6245 [15.875/15.862]	1	MS CONN	1
04-03-2017	76	HS35R1024H3P7	A	1.0000/.9995 [25.4000/25.3873]	1	MS CONN	1
02-03-2016	75	HS35R1024H15A	A	1.0000/.9995 [25.4000/25.3873]	1	PIG TAIL	1
12-13-2016	74	HS35R1024H45A	A	1.0000/.9995 [25.4000/25.3873]	1	PIG TAIL	1
04-28-2016	73	HS35R1024H572	A	1.0000/.9995 [25.4000/25.3873]	2	MS CONNECTOR ONLY NO MATING CONNECTOR	0
03-15-2016	72	HS35R1024H1PA	A	1.0000/.9995 [25.4000/25.3873]	1	PIG TAIL	1
01-12-2015	71	HS35R2500H7R7	0	1.0000/.9995 [25.4000/25.3873]	2	MS CONN	1
01-20-2014	70	HS35R1024H147	0	1.0000/.9995 [25.4000/25.3873]	1	MS CONN	1
01-24-2013	69	HS35R1024J4P7	0	1.1250/1.1245 [28.575/28.5623]	1	MS CONN	1
09-27-2012	68	HS35R0600H4P7	0	1.0000/.9995 [25.4000/25.3873]	1	MS CONN	1
05-08-2012	67	HS35R204885E7	0	.6250/.6245 [15.875/15.862]	2	MS CONN	0
04-30-2012	66	HS35R2048H7R7	0	1.0000/.9995 [25.4000/25.3873]	2	MS CONN	1
08-23-2011	65	HS35R0010H4P7	0	1.0000/.9995 [25.4000/25.3873]	1	MS CONN	1
07-05-2011	64	HS35R409684P7	2	.6250/.6245 [15.875/15.862]	1	MS CONN	1
02-08-2011	63	HS35R1024H4PE	2	1.0000/.9995 [25.4000/25.3873]	1	PIG TAIL	1
10-27-2010	62	HS35R2500H7P7D2	0				
	61	HS35R102481P7	1	.6250/.6245 [15.875/15.862]	1	MS CONN	1



DRAWING REVISION AU	REVISION BY JP	DATE 08-02-2018	TOLERANCES UNLESS OTHERWISE SPECIFIED: DEC. INCH mm ANGLE .X ±0.1 [±2.5] ±7° 30" .XX ±0.02 [±0.51] .XXX ±0.005 [±0.127] .XXXX ±0.0005 [±0.0127]	DRAWN BY TJB	REGAL ™ Regal Beloit America, Inc.
ECO ECO-0150071	APPROVED BY DJK	DATE 08-02-2018	DATE 08-15-2000	DATE 08-15-2000	
ECO DESCRIPTION ADDED -82			REMOVE BURRS & BREAK SHARP EDGES: .003/.015 [.076/.381] X 45° CORNER FILLETS: R.02 [.51] MACHINED SURFACES: 200 INCH/mm 5.1	APPROVED BY GK	DESCRIPTION ENCODER DYNAPAR CONTROLS HS35R
COPYRIGHT REGAL BELOIT AMERICA, INC. ALL RIGHTS RESERVED. PROPRIETARY AND CONFIDENTIAL INFORMATION - THIS DOCUMENT IS THE PROPERTY OF REGAL BELOIT AMERICA, INC. ("OWNER") AND CONTAINS OWNER'S PROPRIETARY INFORMATION. ANY PERSON, CORPORATION OR OTHER FIRM RECEIVING IT IS DEEMED, BY RECEIVING IT, TO AGREE THAT IT, AND/OR ANY PART OF IT, SHALL NOT BE DISCLOSED TO ANY PERSON, CORPORATION OR OTHER ENTITY, DUPLICATED, AND/OR USED, EXCEPT AS EXPRESSLY APPROVED IN WRITING IN ADVANCE BY OWNER. THIS DOCUMENT SHALL BE RETURNED TO OWNER UPON REQUEST. IT MAY BE SUBJECT TO CERTAIN RESTRICTIONS UNDER APPLICABLE EXPORT CONTROL LAWS AND REGULATIONS.			THIRD ANGLE PROJECTION	REFERENCE	MATERIAL PROCESS/FINISH
SIZE B		DRAWING NUMBER 91130		SHEET 3 OF 3	