

PRODUCT INFORMATION PACKET

marathon®
Motors

Model No: 182TTDBD36001
Catalog No: 182TTDBD36001
5/3,3600/3000,DP,182TCZ,3/60/50/230/460#190/380

Regal and Marathon are trademarks of Regal Rexnord Corporation or one of its affiliated companies.
©2023 Regal Rexnord Corporation, All Rights Reserved. MC017097E

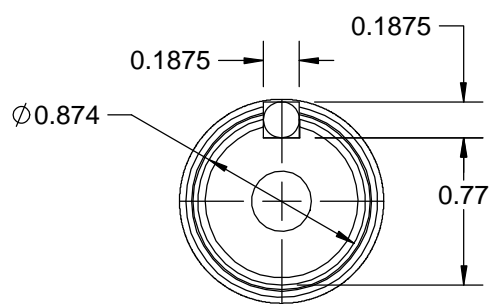
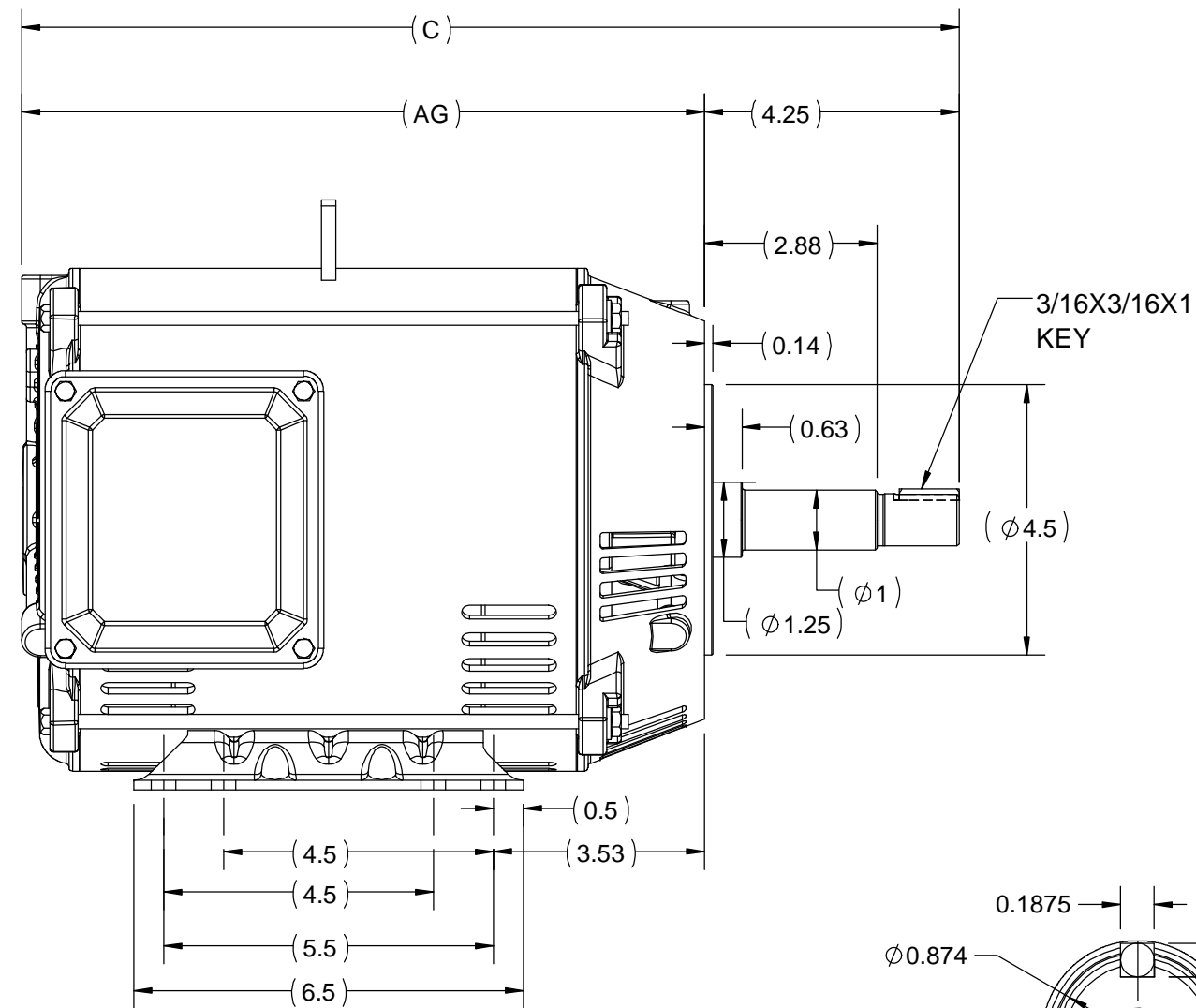
RegalRexnord

Nameplate Specifications

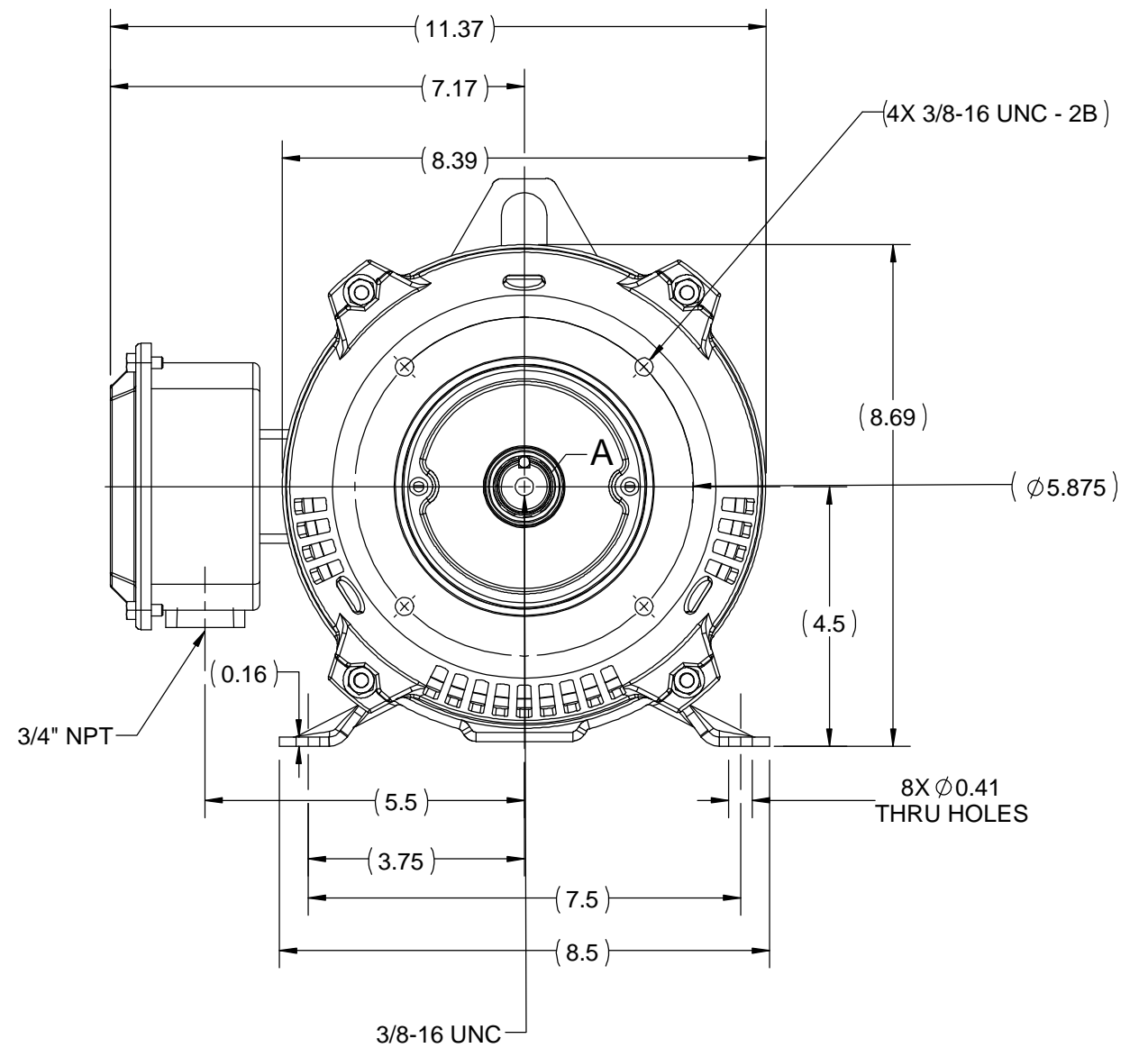
Technical Specifications

| | | | |
|-----------------|----------|--------------------|----------|
| Shaft Diameter | 1.250 in | | |
| Outline Drawing | SS600264 | Connection Drawing | A-EE7308 |

This is an uncontrolled document once printed or downloaded and is subject to change without notice. Date Created:04/24/2023



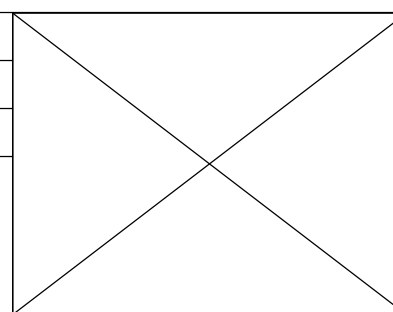
DETAIL A




DETAIL A

| | | |
|-------|-------|------|
| 182JM | 14.64 | 10.4 |
| 184JM | 15.64 | 11.4 |
| FRAME | C | AG |

| | | |
|---|-------------|------|
| DRAWING REVISION A | REVISION BY | DATE |
| ECO ECO-0194414 | APPROVED BY | DATE |
| ECO DESCRIPTION | | |
| NEW DRAWING RELEASE <small>COPYRIGHT REGAL BELOIT AMERICA, INC. ALL RIGHTS RESERVED. PROPRIETARY AND CONFIDENTIAL INFORMATION - THIS DOCUMENT IS THE PROPERTY OF REGAL BELOIT AMERICA, INC. ("OWNER") AND CONTAINS OWNER'S PROPRIETARY INFORMATION. ANY PERSON, CORPORATION OR OTHER FIRM RECEIVING IT IS DEEMED, BY RECEIVING IT, TO AGREE THAT IT, AND/OR ANY PART OF IT, SHALL NOT BE DISCLOSED TO ANY PERSON, CORPORATION OR OTHER ENTITY, DUPLICATED, AND/OR USED, EXCEPT AS EXPRESSLY APPROVED IN WRITING IN ADVANCE BY OWNER. THIS DOCUMENT SHALL BE RETURNED TO OWNER UPON REQUEST. IT MAY BE SUBJECT TO CERTAIN RESTRICTIONS UNDER APPLICABLE EXPORT CONTROL LAWS AND REGULATIONS.</small> | | |



| | | |
|------------------------|---|-----------------------------------|
| DRAWN BY SD |  Regal Beloit America, Inc. | |
| DATE 11/10/2020 | | |
| APPROVED BY RG | DESCRIPTION OUTLINE 182/184JM FR ODP RS | |
| DATE 11/10/2020 | MATERIAL | PROCESS/FINISH |
| REFERENCE | SIZE B | DRAWING NUMBER SS600264 |
| THIRD ANGLE PROJECTION | SHEET 1 OF 1 | |

EE7308

THREE PHASE
DUAL VOLTAGE MOTOR



VIEW OF TERMINAL END

REF.
WINDING DIAGRAM

T8Y, T2Y, T2BL, T4BX, T2EC, T2G
T6BZ, T2B, T6BL, T4AV, T6B, T4B

OPTIONAL CORD
CONNECTION

L1 — WHITE
L2 — RED
L3 — BLACK

| NO. | REVISION | BY & DATE | CHK | ANG | TOLERANCES UNLESS SPECIFIED | | FINISH | DRAWN RM 11/20/1990 | | | | |
|--|--|----------------|-----|-------|-----------------------------|--------|---|---------------------|--------|--------------------|-----------|--------|
| | | | | | DEC. | INCHES | | | | | | |
| 5 | CHG TO REGAL LOGO | SL 09/10/2015 | AB | | | | | CHK ML 11/21/1990 | | | | |
| 4 | REVISED IEC NOTATIONS | MSG 11/15/2011 | CMN | .X | ±.1 | | | APPD SAS 04/24/2003 | | | | |
| 3 | ADDED IEC NOTATIONS... (U1), (V1) ETC. MU95194 | MSG 5/10/2010 | MJS | .XX | ±.02 | | | SCALE 1=1 | | | | |
| 2 | ADDED THE OPTIONAL CORD CONNECTION MU46318 | RDH 04/24/2003 | DRS | .XXX | ±.005 | | TITLE CONNECTION DIAGRAM 3Ø - DUAL VOLTAGE MOTOR | REF | | | | |
| 1 | REDRAWN | RM 11/20/1990 | | .XXXX | ±.0005 | | MAT'L. | FMF | | | | |
| | | | | | ±7'30" | | | PREV | | | | |
| THIS DRAWING IN DESIGN AND DETAIL IS OUR PROPERTY AND MUST NOT BE USED EXCEPT IN CONNECTION WITH OUR WORK ALL RIGHTS OF DESIGN AND INVENTION ARE RESERVED THIS IS AN ELECTRONICALLY GENERATED DOCUMENT - DO NOT SCALE THIS PRINT | | | | | | | RFP | CAD FILE ee7308 | SIZE A | DRAWING NO. EE7308 | PAGE OF 5 | REV. 5 |
| | | | | | | | DIST WP | | | | | |

