

PRODUCT INFORMATION PACKET



Model No: 171835.60

Catalog No: 171835.60

Severe Duty Motor, 60 & 50 HP, 3 Ph, 60 & 50 Hz, 230/460 & 190/380 V, 1800 & 1500 RPM, 364TC Frame,
TEFC

Regal and Leeson are trademarks of Regal Rexnord Corporation or one of its affiliated companies.

©2023 Regal Rexnord Corporation, All Rights Reserved. MC017097E



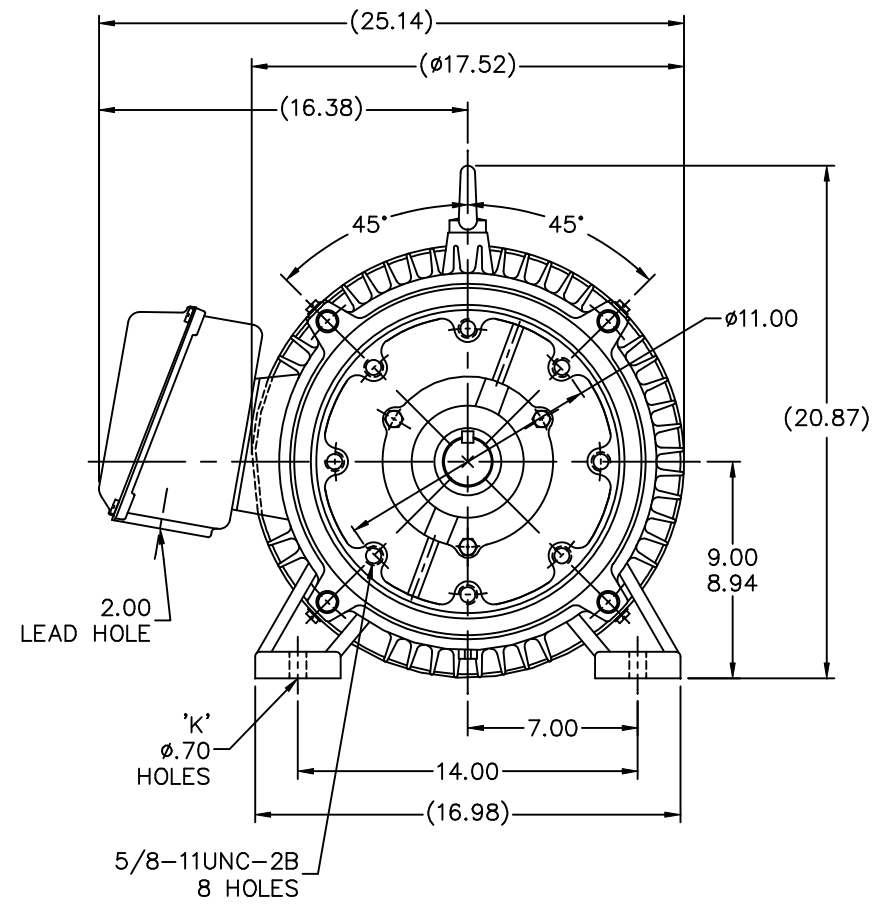
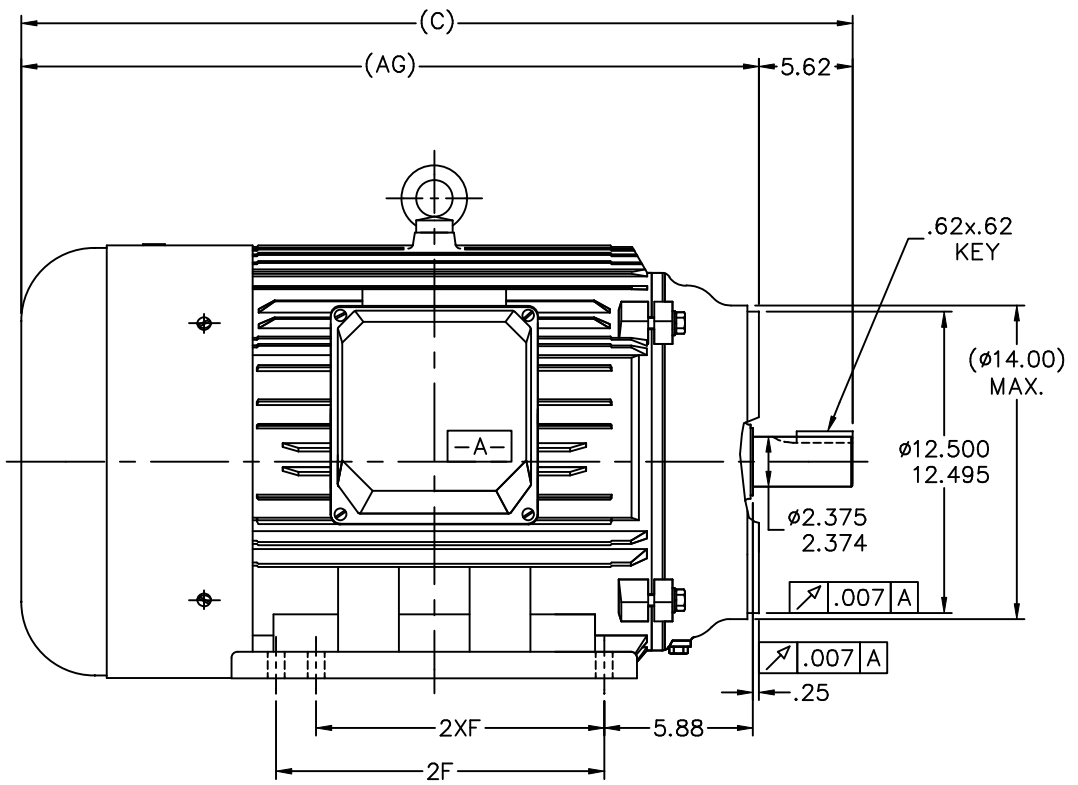


Nameplate Specifications

Phase	3	Output HP	60 & 50 Hp
Output KW	45.0 & 37.0 kW	Voltage	230/460 & 190/380 V
Speed	1790 & 1489 rpm	Service Factor	1.15 & 1.15
Frame	364TC	Enclosure	Totally Enclosed Fan Cooled
Thermal Protection	Thermostat	Efficiency	95.4 & 95 %
Ambient Temperature	40 °C	Frequency	60 & 50 Hz
Current	139/69.5 & 137/68.5 A	Power Factor	86
Duty	Continuous	Insulation Class	F
Design Code	B	KVA Code	G
Drive End Bearing Size	6313	Opp Drive End Bearing Size	6313
UL	Recognized	CSA	Y
CE	Y	IP Code	55
Number of Speeds	1	Hazardous Location	DIVISION 2 T2B

Technical Specifications

Electrical Type	Squirrel Cage Inverter Rated	Starting Method	Wye Start Delta Run Or Inverter
Poles	4	Rotation	Reversible
Resistance Main	.06 Ohms	Mounting	Rigid Base
Motor Orientation	Horizontal	Drive End Bearing	Ball
Opp Drive End Bearing	Ball	Frame Material	Cast Iron
Shaft Type	T	Overall Length	32.64 in
Shaft Diameter	2.375 in	Shaft Extension	5.87 in
Assembly/Box Mounting	F1/F2 CAPABLE	Inverter Load	CONSTANT 10:1
Outline Drawing	SS622047LE	Connection Drawing	004172.01



NOT DRAWN TO SCALE

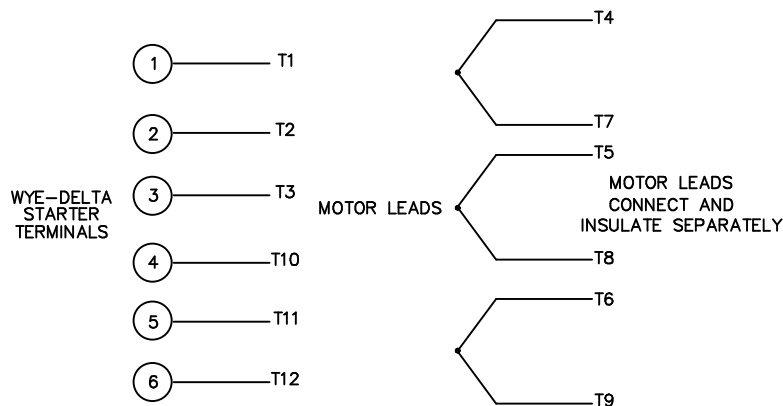
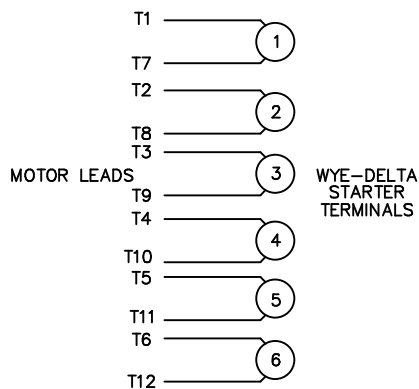
---	N364TC-4	32.64	27.02	---	11.25	---	4	---
---	N365TC-4	33.62	28.00	---	12.25	11.25	6	---
DASH	FRAME	C	AG	B	2F	2XF	K	BS

		TOLERANCES UNLESS SPECIFIED		LEESON ELECTRIC MOTORS GEARMOTORS AND DRIVES		DRAWN MSG 08-11-2005	
DEC.	INCHES	CHK	ML			08-12-2005	
.X	±.1			TITLE OUTLINE		APPD LMC 08-24-2005	
.XX	±.03			364/5TC FRAME - C'FACE		SCALE 1=1	
.XXX	±.005			FINISH		REF	
.XXXX	±.0005			MATL		FMF	
NO.	REVISION	BY & DATE	CHK	ANG	±7'30"	PREV	250015110-20
THIS DRAWING IN DESIGN AND DETAIL IS OUR PROPERTY AND MUST NOT BE USED EXCEPT IN CONNECTION WITH OUR WORK ALL RIGHTS OF DESIGN AND INVENTION ARE RESERVED THIS IS AN ELECTRONICALLY GENERATED DOCUMENT - DO NOT SCALE THIS PRINT				RFP	CAD FILE ss622047le	SIZE	DRAWING NO. PAGE OF REV.
				DIST	WA	B	SS622047LE

WYE - DELTA STARTING USEABLE ON 2,4 AND 6 POLE MOTORS.

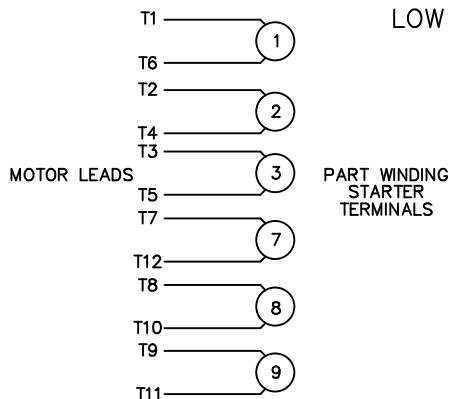
LOW VOLTAGE CONNECTION

HIGH VOLTAGE CONNECTION



REFER TO THE WYE-DELTA STARTER CONNECTION INSTRUCTIONS FOR PROPER CONNECTION OF POWER LINES TO STARTER.

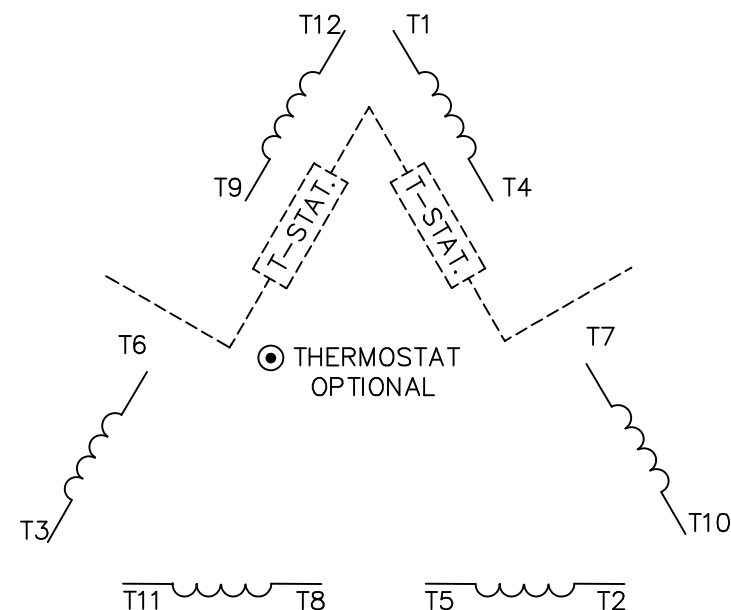
PART WINDING START USABLE ON 4 & 6 POLE MOTORS
LOW VOLTAGE CONNECTION ONLY



REFER TO THE PART WINDING STARTER INSTRUCTIONS FOR PROPER CONNECTION OF POWER LINES TO STARTER.

REFER TO THE CUTLER - HAMMER OR EQUIV. FOR PROPER SELECTION OF OVERLOAD HEATER COILS.

LINE LEADS



ROTATION CAN BE REVERSED BY INTERCHANGING ANY TWO LINE LEADS
● RED LEADS OR P1, P2, FOR N/C THERMOSTAT

ACROSS THE LINE START & RUN

	LINE 1	LINE 2	LINE 3	JOIN & INSULATE SEPARATELY
HIGH VOLT	T1, T12	T2, T10	T3, T11	(T4, T7) (T5, T8) (T6, T9)
LOW VOLT	T1, T6 T7, T12	T2, T4 T8, T10	T3, T5 T9, T11	

TOLERANCES UNLESS SPECIFIED
DEC. INCHES



ELECTRIC MOTORS
GEARMOTORS
AND DRIVES

DRAWN WLW 09/08/77
CHK RPB 09/12/77
APPD JCW 09/12/77

NO.	REVISION	BY & DATE	CHK	ANG	±1/2'
03	REV'D LOW VOLTAGE CONN. LEADS PER ELEC.	BJB 06/07/00	.XX	±.01	
02	ADDED T-STAT. NOTES PER ELECTRICAL	KMM 06/02/98	.XXX	±.005	
01	REDRAWN TO CAD	DBT 06/02/97	.XXXX	±.0005	

TITLE	DELTA - WYE CONNECTION DIAGRAM
MAT'L.	
FINISH	

SCALE	1=1
REF	
FMF	
PREV	

THIS DRAWING IN DESIGN AND DETAIL IS OUR PROPERTY AND MUST NOT BE USED EXCEPT IN CONNECTION WITH OUR WORK ALL RIGHTS OF DESIGN AND INVENTION ARE RESERVED THIS IS AN ELECTRONICALLY GENERATED DOCUMENT - DO NOT SCALE THIS PRINT

RFP	CAD FILE	00417201	SIZE	DRAWING NO.	REV.
DIST			A	004172-01	03

EC Declaration of Conformity

The undersigned representing
the manufacturer:

Regal Beloit America
100 East Randolph St.
Wausau, WI 54401

and the authorized representative
established within the Community:

Marathon Electric UK
6F Thistleton Road Ind. Estate
Market Overton
Oakham, Rutland LE15 7PP UK

are committed to providing customers with products that comply with applicable regulations and international protocols to which they are subject, including the requirements of the European Parliament Directive on the Harmonization of the laws relating to electrical equipment designed for use within certain voltage limits (2014/35/EU).

Regal Beloit America declares that the following product(s), to which this declaration relates, are in conformity with the relevant sections of the EC standards listed below.

This statement supersedes any statements previously issued pertaining to the product(s) listed below and is subject to change without notice.

Model No : 171835.60

(Model No. may contain prefix and/or suffix characters)

Catalog No : 171835.60

Rework No : N/A

Directives :

Low Voltage Directive 2014/35/EU

Harmonized Standards Used :

EN 60034-1: 2010 (IEC 60034-1: 2010)

EN 60034-5: 2001/A1:2007 (IEC 60034-5: 2000/A1:2006)

Authorized Representative:



Michael A. Logsdon
Vice President, Technology

Authorized Representative in the Community:



Julian Clark
Marketing Engineer

Created on 09/01/2022

CE 22