

PRODUCT INFORMATION PACKET



Model No: 171827.60

Catalog No: 171827.60

Severe Duty Motor, 25 & 20 HP, 3 Ph, 60 & 50 Hz, 230/460 & 190/380 V, 1800 & 1500 RPM, 284TC Frame,
TEFC

Regal and Leeson are trademarks of Regal Rexnord Corporation or one of its affiliated companies.

©2023 Regal Rexnord Corporation, All Rights Reserved. MC017097E



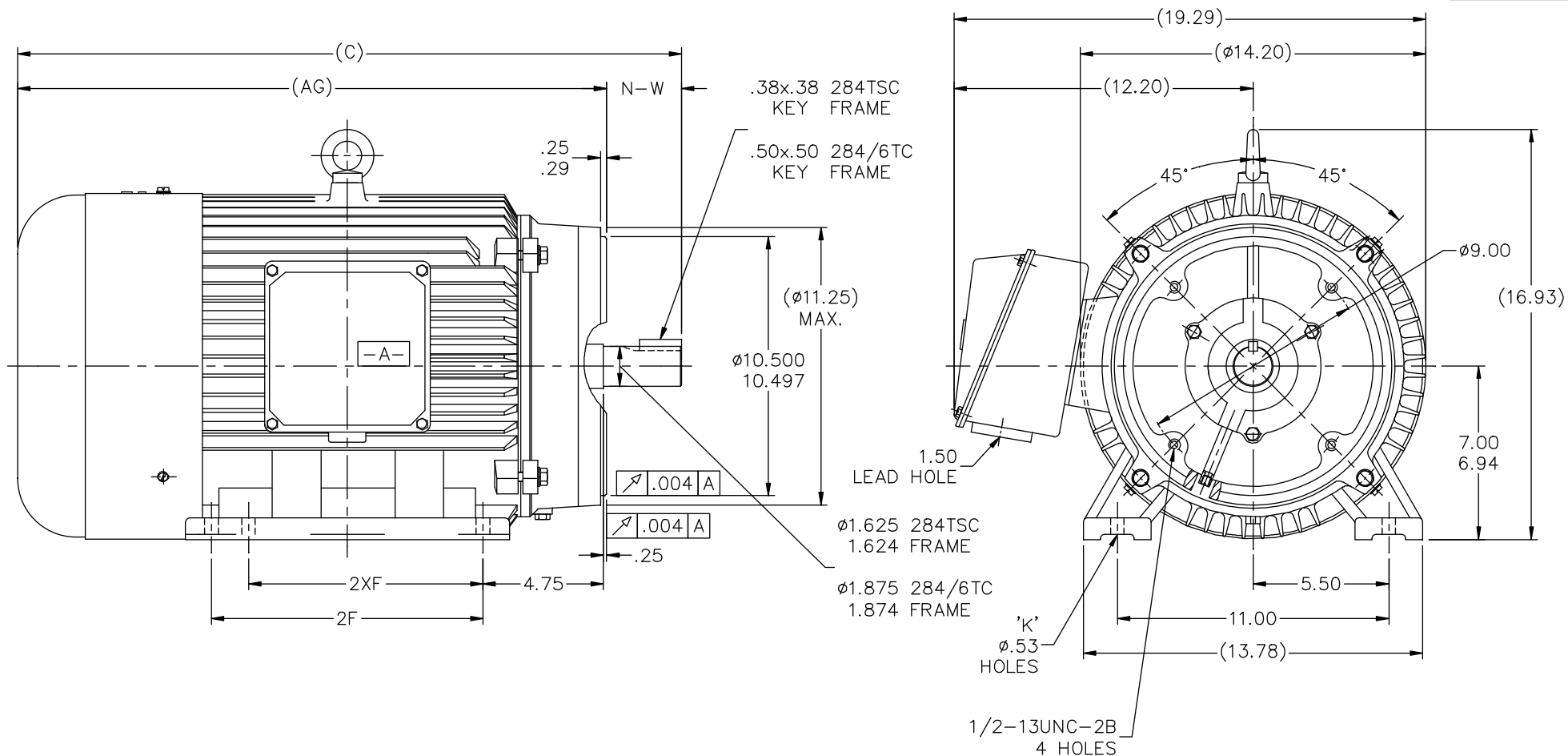


Nameplate Specifications

Phase	3	Output HP	25 & 20 Hp
Output KW	18.7 & 14.9 kW	Voltage	230/460 & 190/380 V
Speed	1783 & 1480 rpm	Service Factor	1.15 & 1.15
Frame	284TC	Enclosure	Totally Enclosed Fan Cooled
Thermal Protection	No Protection	Efficiency	93.6 & 93 %
Ambient Temperature	40 °C	Frequency	60 & 50 Hz
Current	58.5/29.3 & 60/30 A	Power Factor	85
Duty	Continuous	Insulation Class	F
Design Code	A	KVA Code	H
Drive End Bearing Size	6311	Opp Drive End Bearing Size	6309
UL	Recognized	CSA	Y
CE	Y	IP Code	55
Number of Speeds	1		

Technical Specifications

Electrical Type	Squirrel Cage Inverter Rated	Starting Method	Wye Start Delta Run Or Inverter
Poles	4	Rotation	Reversible
Resistance Main	.058 Ohms	Mounting	Rigid Base
Motor Orientation	Horizontal	Drive End Bearing	Ball
Opp Drive End Bearing	Ball	Frame Material	Cast Iron
Shaft Type	T	Overall Length	26.26 in
Shaft Diameter	1.875 in	Shaft Extension	4.87 in
Assembly/Box Mounting	F1/F2 CAPABLE	Inverter Load	CONSTANT 10:1
Connection Drawing	004172.01	Outline Drawing	SS622045LE-N284TC-4



NOT DRAWN TO SCALE

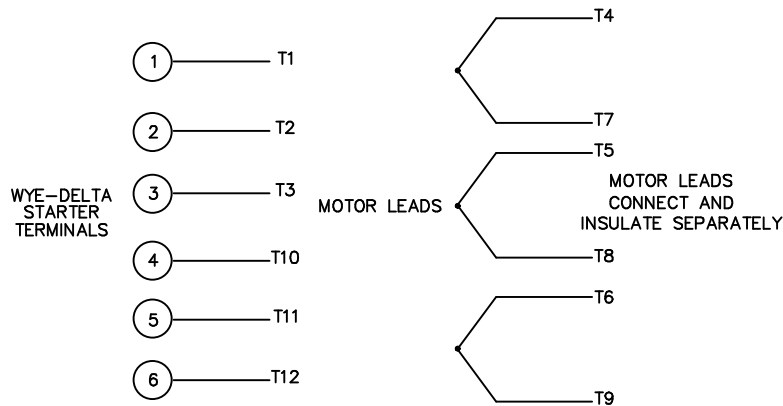
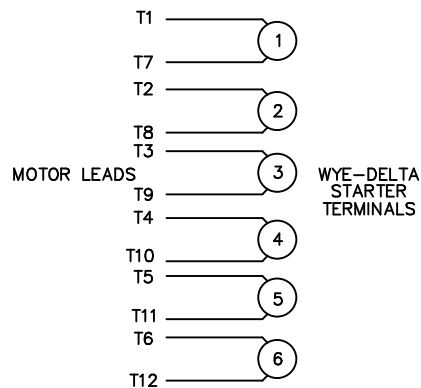
DASH	FRAME	C	AG	B	2F	2XF	K	N-W
---	N286TC-2	27.84	23.22	---	11.00	9.50	6	4.62
---	N286TSC-2	26.47	23.22	---	11.00	9.50	6	3.25
---	N284TC-2	26.26	21.64	---	9.50	---	4	4.62
---	N284TSC-2	24.88	21.64	---	9.50	---	4	3.25
---	N284TC-4	26.26	21.64	---	9.50	---	4	4.62
---	N286TC-4	27.84	23.22	---	11.00	9.50	6	4.62

NO.	REVISION	BY & DATE	TOLERANCES UNLESS SPECIFIED		FINISH	TITLE	DRAWN
			DEC.	INCHES			
			.X	±.1		LEESON ELECTRIC MOTORS GEARMOTORS AND DRIVES TITLE OUTLINE 284TSC, 284/286TC FR. - C'FACE MAT'L. CAD FILE ss622045le	DRAWN MSG 08-11-2005
			.XX	±.03			CHK ML 08-12-2005
			.XXX	±.005			APPD LMC 08-24-2005
			.XXXX	±.0005			SCALE 1=2
				±7'30"			REF
							FMF
							PREV 250014140-60
THIS DRAWING IN DESIGN AND DETAIL IS OUR PROPERTY AND MUST NOT BE USED EXCEPT IN CONNECTION WITH OUR WORK ALL RIGHTS OF DESIGN AND INVENTION ARE RESERVED THIS IS AN ELECTRONICALLY GENERATED DOCUMENT - DO NOT SCALE THIS PRINT			RFP				SIZE DRAWING NO. PAGE OF REV.
			DIST	LB			B SS622045LE

WYE - DELTA STARTING USEABLE ON 2,4 AND 6 POLE MOTORS.

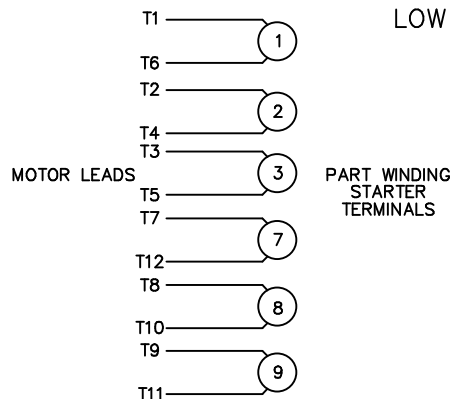
LOW VOLTAGE CONNECTION

HIGH VOLTAGE CONNECTION



REFER TO THE WYE-DELTA STARTER CONNECTION INSTRUCTIONS FOR PROPER CONNECTION OF POWER LINES TO STARTER.

PART WINDING START USABLE ON 4 & 6 POLE MOTORS
LOW VOLTAGE CONNECTION ONLY



REFER TO THE PART WINDING STARTER INSTRUCTIONS FOR PROPER CONNECTION OF POWER LINES TO STARTER.

REFER TO THE CUTLER - HAMMER OR EQUIV. FOR PROPER SELECTION OF OVERLOAD HEATER COILS.



ACROSS THE LINE START & RUN				
	LINE 1	LINE 2	LINE 3	JOIN & INSULATE SEPARATELY
HIGH VOLT	T1, T12	T2, T10	T3, T11	(T4, T7) (T5, T8) (T6, T9)
LOW VOLT	T1, T6 T7, T12	T2, T4 T8, T10	T3, T5 T9, T11	

				TOLERANCES UNLESS SPECIFIED		LEESON	ELECTRIC MOTORS GEARMOTORS AND DRIVES		DRAWN WLW 09/08/77	
				DEC.	INCHES		ELECTRIC MOTORS GEARMOTORS AND DRIVES		CHK RPB 09/12/77	
				.X	±.1		ELECTRIC MOTORS GEARMOTORS AND DRIVES		APPD JCW 09/12/77	
03	REV'D LOW VOLTAGE CONN. LEADS PER ELEC.	BJB 06/07/00	.XX	±.01	TITLE DELTA - WYE CONNECTION DIAGRAM		SCALE 1=1			
02	ADDED T-STAT. NOTES PER ELECTRICAL	KMM 06/02/98	.XXX	±.005			REF			
01	REDRAWN TO CAD	DBT 06/02/97	.XXXX	±.0005	MAT'L.		FMF			
NO.	REVISION	BY & DATE	CHK	ANG	±1/2"	FINISH	PREV			
THIS DRAWING IN DESIGN AND DETAIL IS OUR PROPERTY AND MUST NOT BE USED EXCEPT IN CONNECTION WITH OUR WORK ALL RIGHTS OF DESIGN AND INVENTION ARE RESERVED THIS IS AN ELECTRONICALLY GENERATED DOCUMENT - DO NOT SCALE THIS PRINT				RFP	CAD FILE	00417201	SIZE	DRAWING NO.		REV.
				DIST			A	004172-01		03