

PRODUCT INFORMATION PACKET



Model No: 171804.60

Catalog No: 171804.60

Severe Duty Motor, 150 & 125 HP, 3 Ph, 60 & 50 Hz, 460 & 380 V, 1200 & 1000 RPM, 447T Frame, TEFC



Regal and Leeson are trademarks of Regal Rexnord Corporation or one of its affiliated companies.

©2023 Regal Rexnord Corporation, All Rights Reserved. MC017097E





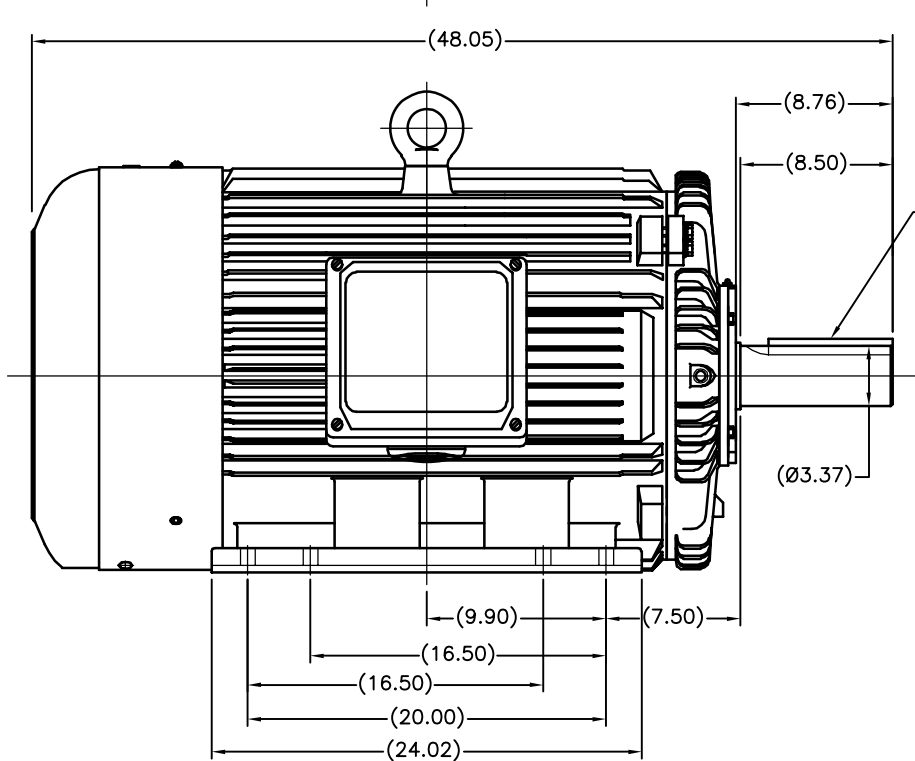
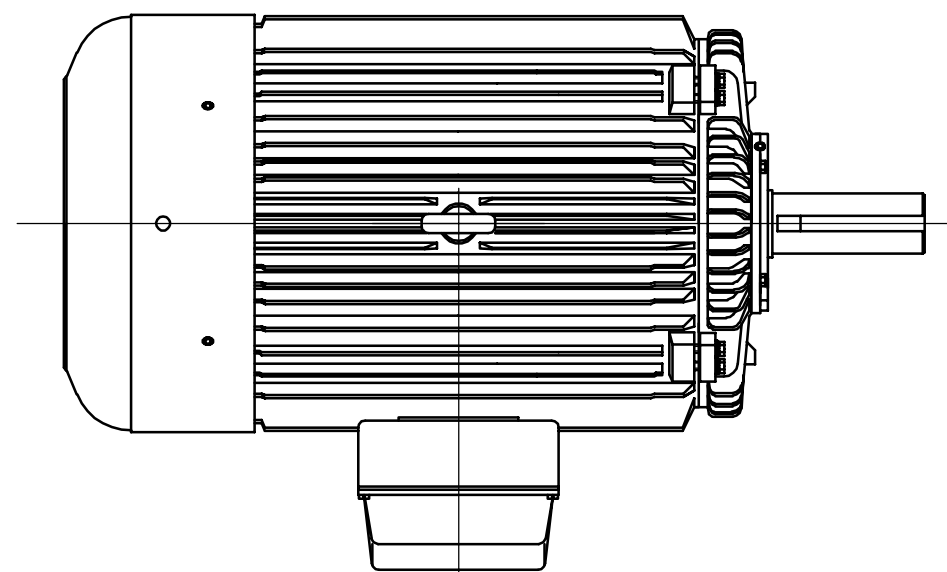
Nameplate Specifications

Phase	3	Output HP	150 & 125 Hp
Output KW	112.0 & 93.0 kW	Voltage	460 & 380 V
Speed	1195 & 995 rpm	Service Factor	1.15 & 1.15
Frame	447T	Enclosure	Totally Enclosed Fan Cooled
Thermal Protection	No Protection	Efficiency	96.2 & 95.8 %
Ambient Temperature	40 °C	Frequency	60 & 50 Hz
Current	186 & 187 A	Power Factor	78.5
Duty	Continuous	Insulation Class	F
Design Code	B	KVA Code	G
Drive End Bearing Size	6319	Opp Drive End Bearing Size	6317
UL	Recognized	CSA	Y
CE	Y	IP Code	55
Number of Speeds	1		

Technical Specifications

Electrical Type	Squirrel Cage Inverter Rated	Starting Method	Wye Start Delta Run Or Inverter
Poles	6	Rotation	Reversible
Resistance Main	.0201 Ohms	Mounting	Rigid Base
Motor Orientation	Horizontal	Drive End Bearing	Ball
Opp Drive End Bearing	Ball	Frame Material	Cast Iron
Shaft Type	T	Overall Length	48.05 in
Shaft Diameter	3.375 in	Shaft Extension	8.5 in
Assembly/Box Mounting	F1/F2 CAPABLE		
Outline Drawing	16983360	Connection Drawing	00519001

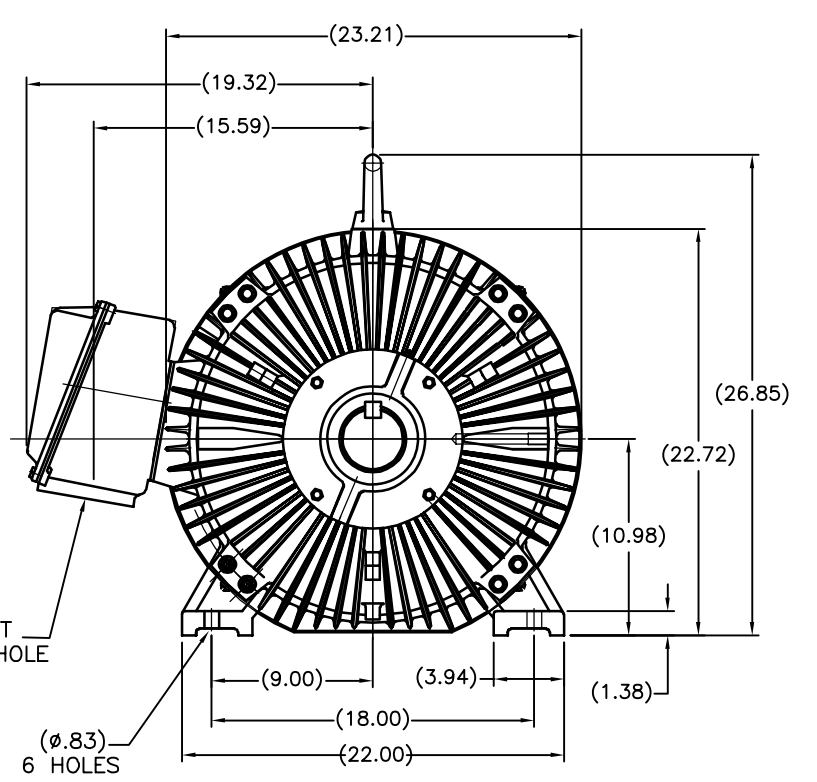
16983360



(.88x.88x6.88)
KEY

3" NPT
CONDUIT HOLE

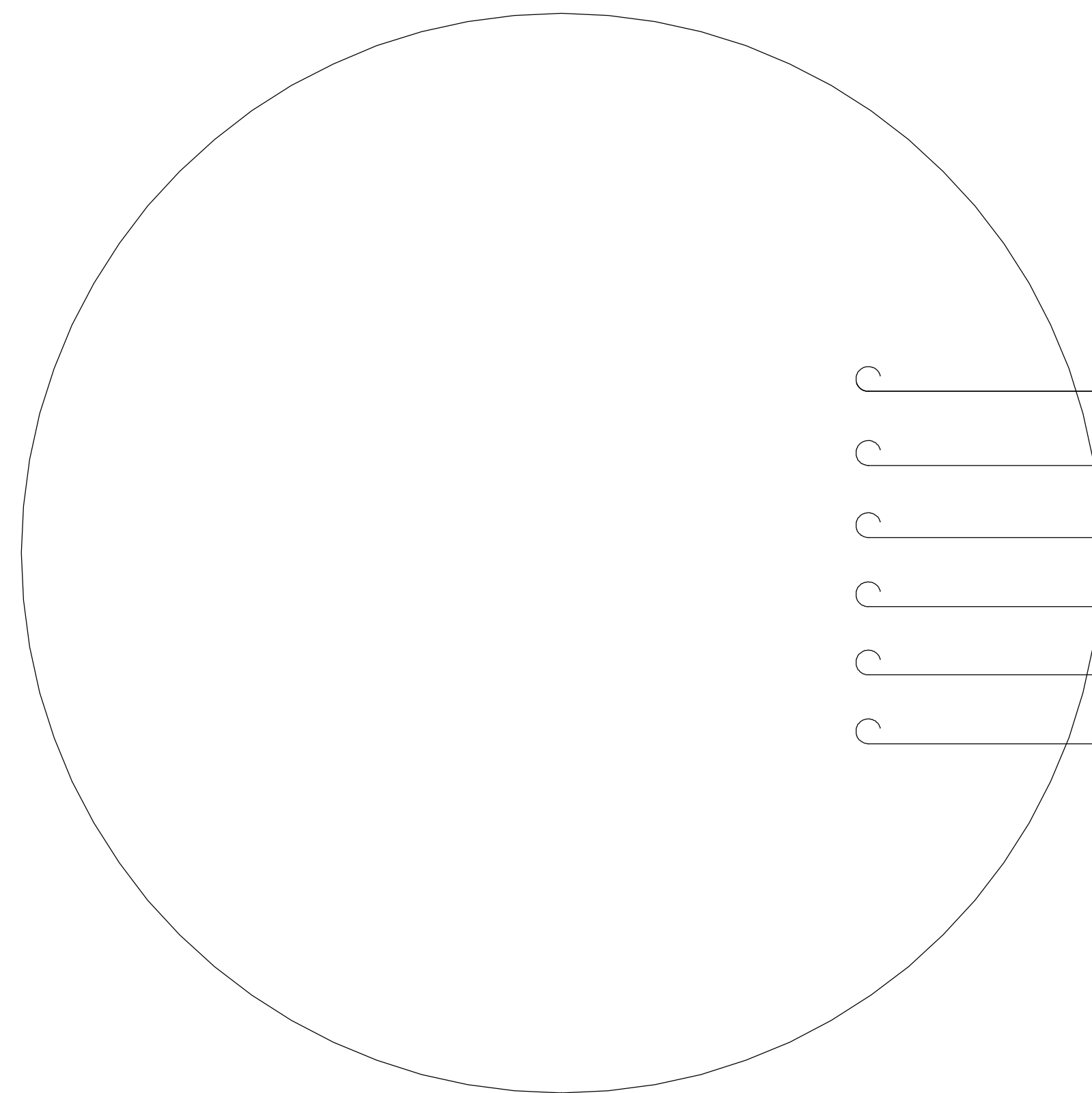
(Ø.83)
6 HOLES



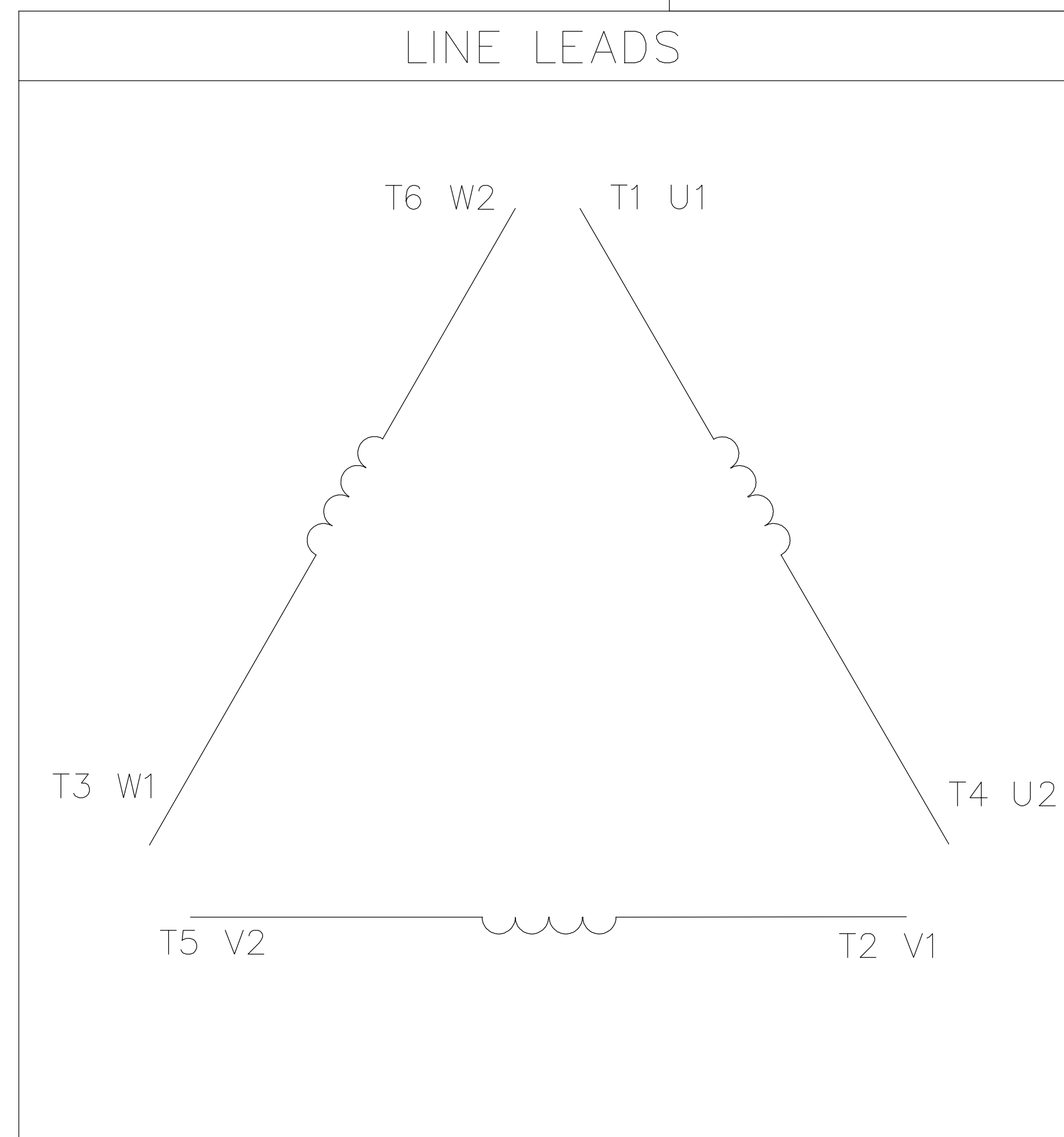
		TOLERANCES UNLESS SPECIFIED		REGAL REGAL-BELOIT CORPORATION	DRAWN MOL 06-30-2011
		DEC.	INCHES		CHK MOL 06-30-2011
			.X ±.1		APPD
2	ADDED 'BS' DIM PER ECO-0048910	RFH 04/07/2014	EH .XX ±.03	TITLE OUTLINE-447T FR-TEFC-RIGID MEETS NEC/UL REQ CON-BOX VOL=9750	SCALE 1=6
1	ADDED TOP VIEW	MOL 11-26-2012	.XXXX ±.0005	MAT'L CAST IRON	REF
NO.	REVISION	BY & DATE	CHK ANG ±1/2'	FINISH	PREV
THIS DRAWING IN DESIGN AND DETAIL IS OUR PROPERTY AND MUST NOT BE USED EXCEPT IN CONNECTION WITH OUR WORK ALL RIGHTS OF DESIGN AND INVENTION ARE RESERVED THIS IS AN ELECTRONICALLY GENERATED DOCUMENT - DO NOT SCALE THIS PRINT				RFP CAD FILE 16983360	SIZE B DRAWING NO. 16983360
				DIST	PAGE 1 OF 1 REV. 2

005190-01

LINE LEADS



- T1 U1
- T2 V1
- T3 W1
- T4 U2
- T5 V2
- T6 W2



	L1	L2	L3	JOIN
START (WYE)	T1 U1	T2 V1	T3 U2	(T4,T5,T6) (U2,V2,W2)
RUN (DELTA)	(T1,T6) (U1,W2)	(T2,T4) (V1,U2)	(T3,T5) (W1,V2)	

				TOLERANCES UNLESS OTHERWISE SPECIFIED		LEESON ELECTRIC CORPORATION			
				DECIMALS					
04	ADDED MAT'L (CWLE) PER ECO-0168542	DS	6/10/2019			DRAWN PG 05/07/82	EXT. WIRING DIAGRAM STAR START - DELTA RUN		
03	ADDED IEC DESIGNATIONS	MOL	4/27/2012	.00	± .01	CH'K'D. TEM			
02	REMOVED OBSOLETE STATUS	KJH	6/28/99	.000	± .005	APPR. 05/07/82	MAT'L. Y-CONNECTED START (CWLE) DELTA CONNECTED RUN - SINGLE VOLTAGE		
01	REDRAWN ON CAD	DBT	05/30/97	.0000	± .0005	SCALE 1=1			
NO.	REVISION	BY	DATE	FRACTIONS	± 1/64	REF. T2E	FINISH	SIZE	DRAWING NO.
THIS DRAWING IN DESIGN AND DETAIL IS OUR PROPERTY AND MUST NOT BE USED EXCEPT IN CONNECTION WITH OUR WORK ALL RIGHTS OF DESIGN AND INVENTION ARE RESERVED				ANGLES	± 1/2'	FMF	ELECTRO POWER	A	005190-01
				INCH/MM					

P.O. BOX 8003
WAUSAU, WI 54401-8003
PH. 715-675-3311



DATA VOLTS: 460

CERTIFICATION DATA SHEET

CONN. DIAGRAM: 00519001
OUTLINE: 16983360
WINDING: T22806012

CAT #: 171804.60

NONE 2

TYPICAL MOTOR PERFORMANCE DATA

HP	KW	SYNC RPM	FL RPM	FRAME	ENCLOSURE	TYPE	KVA CODE	DESIGN
150	112	1200	1195	447T	TEFC	TFC	G	B

PH	HZ	VOLTS	AMPS	START TYPE	DUTY	INSL	S.F.	AMB	ELEV.
3	60/50	460#380	186&187	START D RUN OR INV	CONT	F	1.15	40	3300

F.L. EFF	96.2	3/4 LD EFF	95.8	1/2 LD EFF	95.4	GTD EFF	95.4	ELECT. TYPE
F.L. PF	78.5	3/4 LD PF	75.0	1/2 LD PF	66.5	95.4		SQ CAGE INV RATED

F.L. TORQUE	LR AMPS @ 460 V	L.R. TORQUE	B.D. TORQUE	F.L. RISE (°C)
660 LB-FT	1,085	950 LB-FT 144%	1,450 LB-FT 220%	55

PRESSURE @ 3	POWER	ROTOR WK²	MAX. LOAD WK²	SAFE STALL TIME	STARTS/HOUR	MOTOR WGT
67 dBA	76 dBA	0.00 LB-FT²	0 LB-FT²	20 SEC.	0	0 LB.

***** SUPPLEMENTAL INFORMATION *****

DE BRACKET TYPE	ODE BRACKET TYPE	MOUNT TYPE	MOTOR ORIENTATION	SEVERE DUTY	HAZARDOUS LOCATION	DRIP COVER	SCREENS	PAINT
STANDARD	STANDARD	RIGID	HORIZONTAL	UM SEVERE	DIVISION 2	NO	NONE	GREEN (EPOXY)

BEARINGS		GREASE	SHAFT TYPE	SPECIAL DE	SPECIAL ODE	SHAFT MATERIAL	FRAME MATERIAL
DE	ODE						
BALL	BALL	POLYREX EM	T	NONE	NONE	AISI 1045 (C-240)	CAST IRON
6319	6317						

THERMOSTATS	PROTECTORS	WDG RTD's	BRG RTD's	THERMISTORS	CONTROL	SPACE HEATERS
NONE	NOT	NONE	NONE	NONE	FALSE	NA

R1 (ohms/ph)	R2 (ohms/ph)	X1 (ohms/ph)	X2 (ohms/ph)	Xm (ohms/ph)	VIBRATION (in/sec)	FLOAT
0	0	0	0	0	0.080	ODE

* N O T E S *		INVERTER TORQUE: VARIABLE 10:1 INV. HP SPEED RANGE: NONE
	ENCODER: NONE NONE NONE	NONE PPR

DATE: 1/19/2018	BRAKE: NONE NONE NONE	NONE
	FT-LB: NA	
	VOLTAGE: NONE	HZ:
	UL: Y-(LEESON UL REC)	

Data Sheet

Date: 1/19/2018

171804.60



Data @ **460 V**

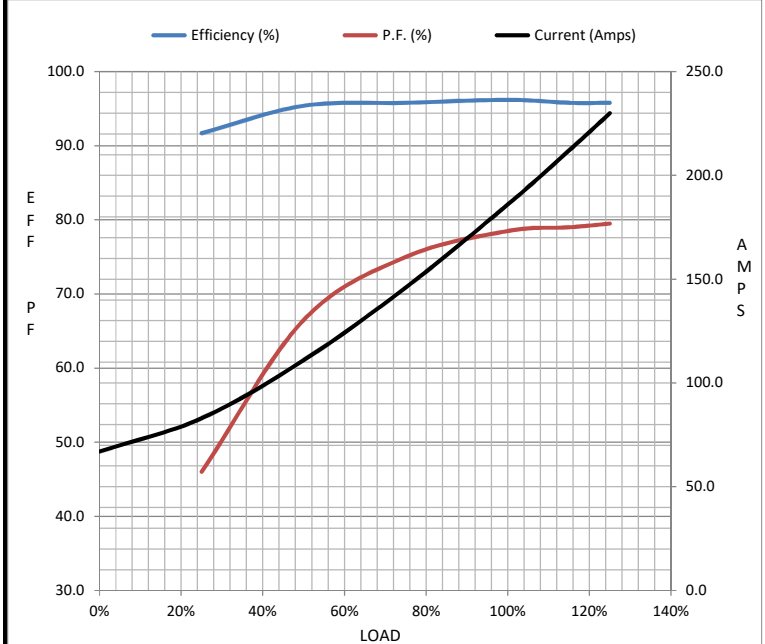
Motor Load Data

Load	0%	25%	50%	75%	100%	115%	125%	LR
Current (Amps)	67.0	83.0	111	146	186	212	230	1,085
Torque (ft-lb)	0.00	164	329	494	660	759	827	950
RPM	1200	1199	1198	1196	1195	1,192	1190	0
Efficiency (%)		91.7	95.4	95.8	96.2	95.8	95.8	
P.F. (%)	4.0	46.0	66.5	75.0	78.5	79.0	79.5	23.5

Motor Speed Data

	LR	Pull-Up	BD	Rated	Idle
Speed (RPM)	0	600	1150	1195	1200
Current (Amps)	1,085	1,000	625	186	67.0
Torque (ft-lb)	950	850	1,450	660	0.00

Information Block				
HP	150.0			
Sync. RPM	1200			
Frame	447			
Enclosure	TEFC			
Construction	TFC			
Voltage	460#380 V			
Frequency	60 Hz			
Design	B			
LR Code letter	G			
Service Factor	1.15			
Temp Rise @ FL	55 °C			
Duty	CONT			
Ambient	40 °C			
Elevation	1,000 feet			
Rotor/Shaft wk ²	0.00 Lb-Ft ²			
Ref Wdg	T22806012 NONE			
Sound Pressure @ 1M	67 dBA			
VFD Rating	VARIABLE 10:1			
Outline Dwg	16983360			
Conn. Diag	00519001			
Additional Specifications:				
0				
0				
EQUIV CKT (OHMS / PHASE)				
R1	R2	X1	X2	Xm
0.0000	0.0000	0.0000	0.0000	0.0000



Speed - Torque Curve

