

PRODUCT INFORMATION PACKET



Model No: 171803.60

Catalog No: 171803.60

Severe Duty Motor, 150 & 125 HP, 3 Ph, 60 & 50 Hz, 460 & 380 V, 1800 & 1500 RPM, 445T Frame, TEFC



Regal and Leeson are trademarks of Regal Rexnord Corporation or one of its affiliated companies.

©2023 Regal Rexnord Corporation, All Rights Reserved. MC017097E





Nameplate Specifications

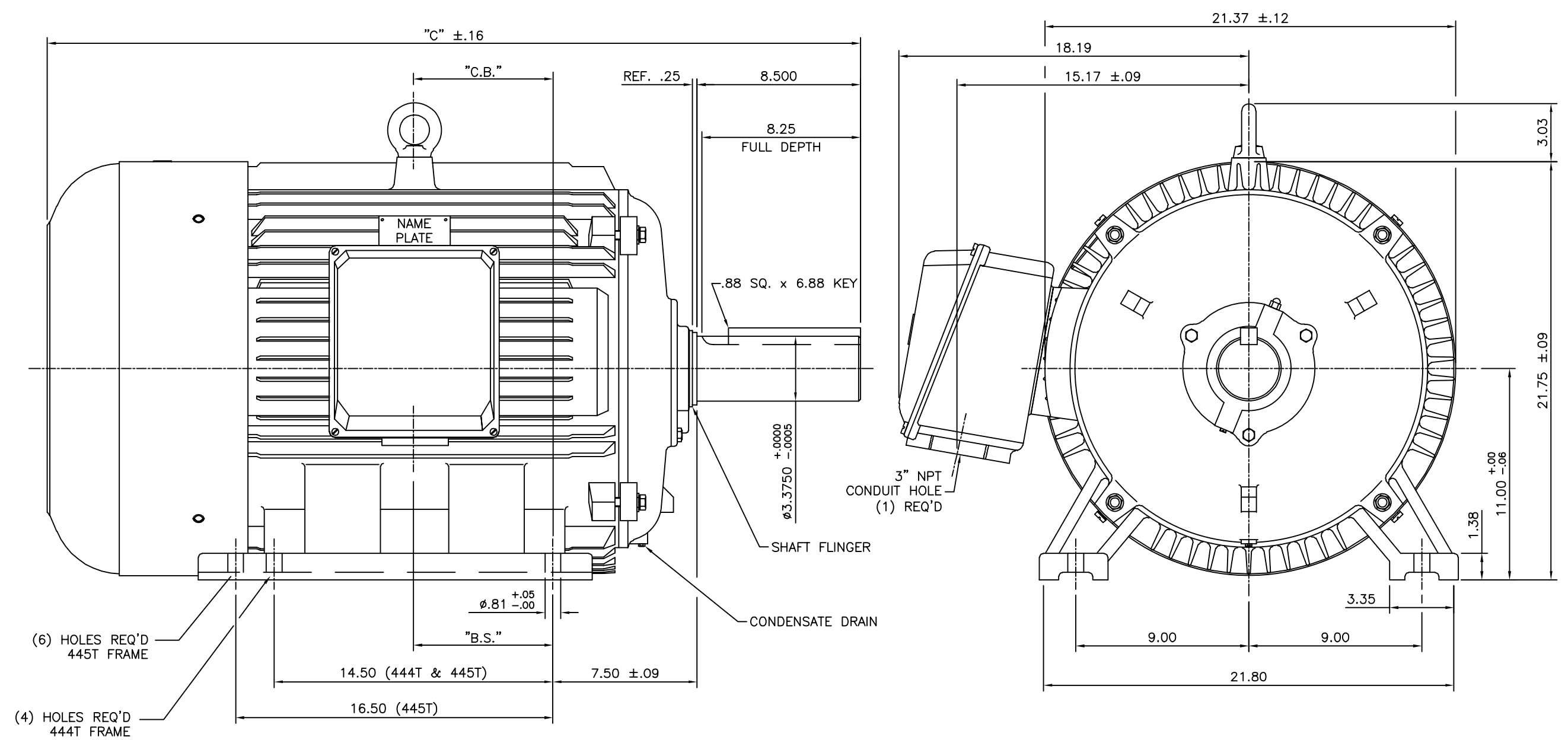
Phase	3	Output HP	150 & 125 Hp
Output KW	112.0 & 93.0 kW	Voltage	460 & 380 V
Speed	1790 & 1490 rpm	Service Factor	1.15 & 1.15
Frame	445T	Enclosure	Totally Enclosed Fan Cooled
Thermal Protection	No Protection	Efficiency	95.8 & 95.8 %
Ambient Temperature	40 °C	Frequency	60 & 50 Hz
Current	164 & 164 A	Power Factor	89.5
Duty	Continuous	Insulation Class	F
Design Code	B	KVA Code	G
Drive End Bearing Size	6318	Opp Drive End Bearing Size	6317
UL	Recognized	CSA	Y
CE	Y	IP Code	55
Number of Speeds	1		

Technical Specifications

Electrical Type	Squirrel Cage Inverter Rated	Starting Method	Line Or Inverter
Poles	4	Rotation	Reversible
Mounting	Rigid Base	Motor Orientation	Horizontal
Drive End Bearing	Ball	Opp Drive End Bearing	Ball
Frame Material	Cast Iron	Shaft Type	T
Overall Length	44.88 in	Shaft Diameter	3.375 in
Shaft Extension	8.5 in	Assembly/Box Mounting	F1/F2 CAPABLE
Outline Drawing	16954760	Connection Drawing	00519001

This is an uncontrolled document once printed or downloaded and is subject to change without notice. Date Created:06/21/2023

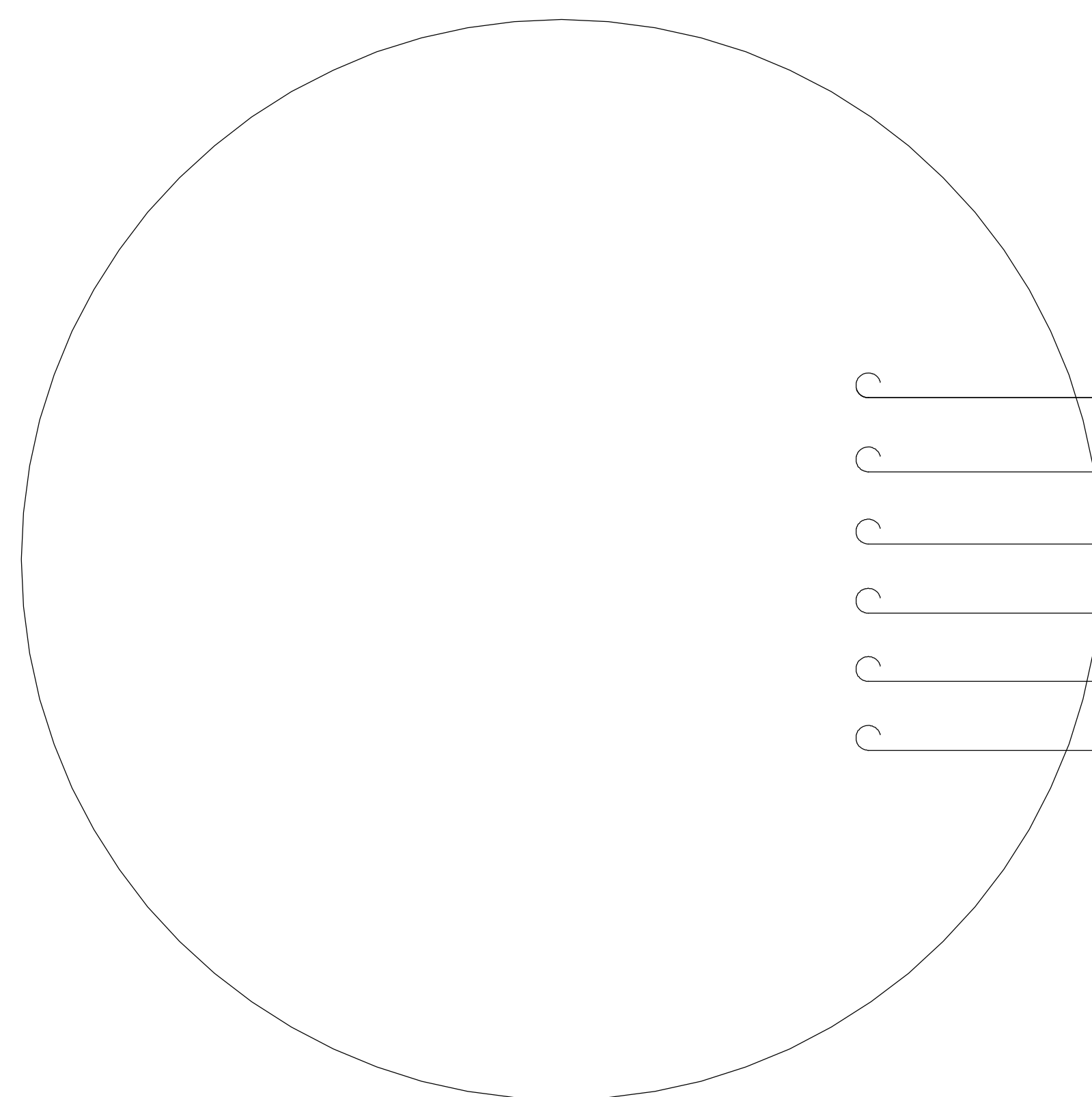
169547-60



FRAME DESIGN	"C"	"C.B."	"B.S."
444T	42.87	7.25	---
445T	44.88	8.25	7.20

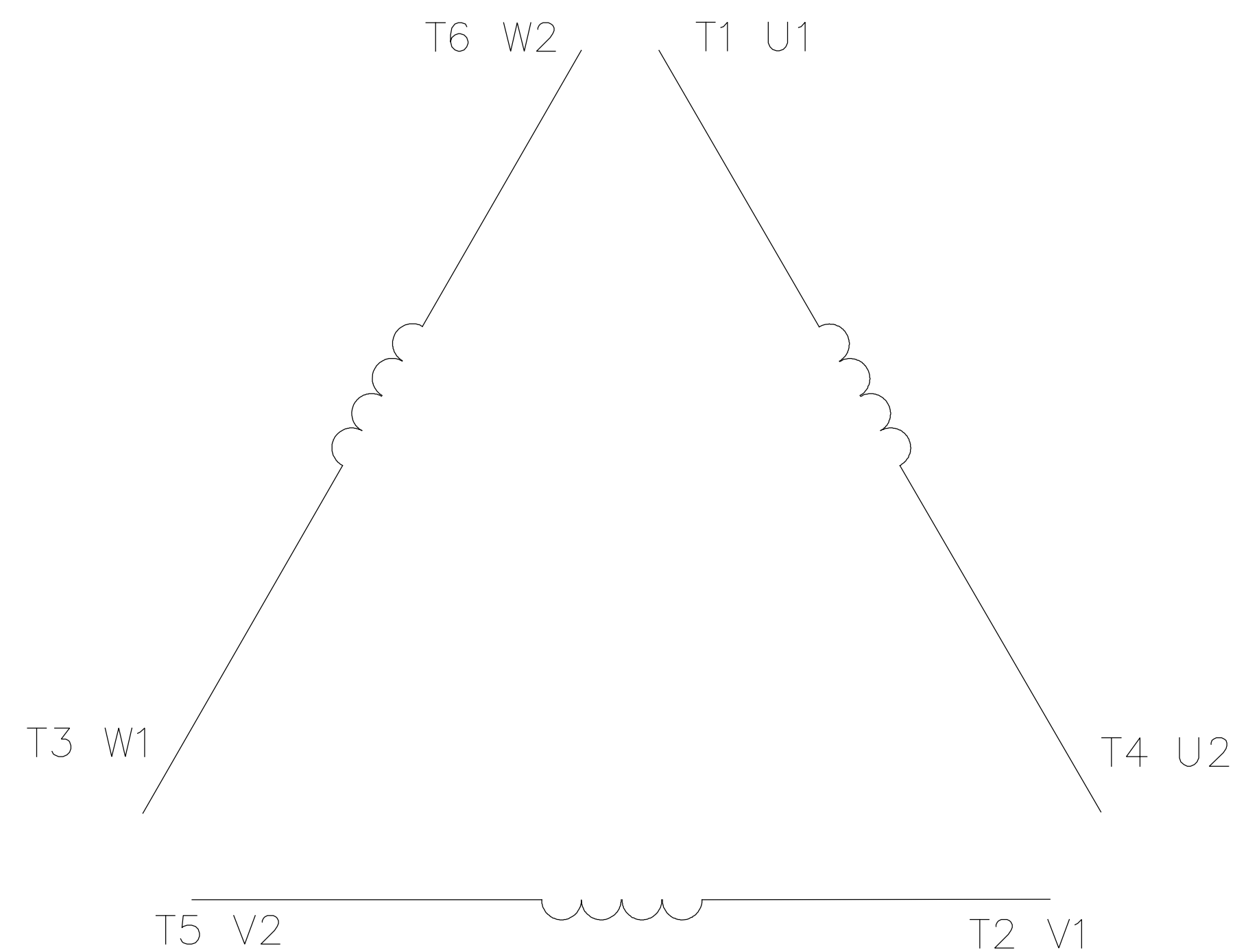
TOLERANCES UNLESS SPECIFIED		REGAL Regal-Beloit Corporation		DRAWN MOL 06-26-2012		
DEC.	INCHES	CHK	SB	06-26-2012		
.X	±.1	APPD				
.XX	±.03	TITLE	OUTLINE-444T/445T FR.-TEFC-RIGID			
.XXX	±.005	REF	MEETS NEC/UL REQ.-BOX VOL=9750C.C.			
1	ADDED "BS" DIM. PER ECO-0048910	RFH	04/07/14	EH	MAT'L.	
NO.	REVISION	BY & DATE	CHK	ANG	FINISH	
THIS DRAWING IN DESIGN AND DETAIL IS OUR PROPERTY AND MUST NOT BE USED EXCEPT IN CONNECTION WITH OUR WORK ALL RIGHTS OF DESIGN AND INVENTION ARE RESERVED THIS IS AN ELECTRONICALLY GENERATED DOCUMENT - DO NOT SCALE THIS PRINT		RFP	CAD FILE	16954760	SIZE	DRAWING NO.
		DIST			B	169547-60
						REV. 1

005190-01



- T1 U1
- T2 V1
- T3 W1
- T4 U2
- T5 V2
- T6 W2

LINE LEADS



	L1	L2	L3	JOIN
START (WYE)	T1 U1	T2 V1	T3 U2	(T4,T5,T6) (U2,V2,W2)
RUN (DELTA)	(T1,T6) (U1,W2)	(T2,T4) (V1,U2)	(T3,T5) (W1,V2)	

				TOLERANCES UNLESS OTHERWISE SPECIFIED		LEESON ELECTRIC CORPORATION			
				DECIMALS					
04	ADDED MAT'L (CWLE) PER ECO-0168542	DS	6/10/2019			DRAWN PG 05/07/82	EXT. WIRING DIAGRAM STAR START - DELTA RUN		
03	ADDED IEC DESIGNATIONS	MOL	4/27/2012	.00	± .01	CH'K'D. TEM			
02	REMOVED OBSOLETE STATUS	KJH	6/28/99	.000	± .005	APPR. 05/07/82	MAT'L. Y-CONNECTED START (CWLE) DELTA CONNECTED RUN - SINGLE VOLTAGE		
01	REDRAWN ON CAD	DBT	05/30/97	.0000	± .0005	SCALE 1=1			
NO.	REVISION	BY	DATE	FRACTIONS	± 1/64	REF. T2E	FINISH	SIZE	DRAWING NO.
THIS DRAWING IN DESIGN AND DETAIL IS OUR PROPERTY AND MUST NOT BE USED EXCEPT IN CONNECTION WITH OUR WORK ALL RIGHTS OF DESIGN AND INVENTION ARE RESERVED				ANGLES	± 1/2'	FMF		A	005190-01
				INCH/MM			ELECTRO POWER		

P.O. BOX 8003
 WAUSAU, WI 54401-8003
 PH. 715-675-3311



DATA VOLTS: 460

CERTIFICATION DATA SHEET

CONN. DIAGRAM: 00519001
 OUTLINE: 16954760
 WINDING: T22804023

CAT #: 171803.60

NONE 3

TYPICAL MOTOR PERFORMANCE DATA

HP	KW	SYNC RPM	FL RPM	FRAME	ENCLOSURE	TYPE	KVA CODE	DESIGN
150	112	1800	1790	445T	TEFC	TFC	G	B

PH	HZ	VOLTS	AMPS	START TYPE	DUTY	INSL	S.F.	AMB	ELEV.
3	60/50	460#380	164&164	LINE OR INVERTER	CONT	F	1.15	40	3300

F.L. EFF	95.8	3/4 LD EFF	96.2	1/2 LD EFF	95.8	GTD EFF	ELECT. TYPE
F.L. PF	89.5	3/4 LD PF	87.5	1/2 LD PF	81.5	0.0	SQ CAGE INV RATED

F.L. TORQUE	LR AMPS @ 460 V	L.R. TORQUE	B.D. TORQUE	F.L. RISE (°C)
440 LB-FT	1,085	880 LB-FT 200%	1,247 LB-FT 283%	55

PRESSURE @ 3	POWER	ROTOR WK²	MAX. LOAD WK²	SAFE STALL TIME	STARTS/HOUR	MOTOR WGT
999 dBA	1008 dBA	0.00 LB-FT²	0 LB-FT²	0 SEC.	0	0 LB.

*** SUPPLEMENTAL INFORMATION ***

DE BRACKET TYPE	ODE BRACKET TYPE	MOUNT TYPE	MOTOR ORIENTATION	SEVERE DUTY	HAZARDOUS LOCATION	DRIP COVER	SCREENS	PAINT
STANDARD	STANDARD	RIGID	HORIZONTAL	UM SEVERE	DIVISION 2	NO	NONE	GREEN (EPOXY)

BEARINGS		GREASE	SHAFT TYPE	SPECIAL DE	SPECIAL ODE	SHAFT MATERIAL	FRAME MATERIAL
DE	ODE						
BALL	BALL	POLYREX EM	T	NONE	NONE	AISI 1045 (C-240)	CAST IRON
6318	6317						

THERMOSTATS	PROTECTORS	WDG RTD's	BRG RTD's	THERMISTORS	CONTROL	SPACE HEATERS
NONE	NOT	NONE	NONE	NONE	FALSE	NA

R1 (ohms/ph)	R2 (ohms/ph)	X1 (ohms/ph)	X2 (ohms/ph)	Xm (ohms/ph)	VIBRATION (in/sec)	FLOAT
0	0	0	0	0	0.080	ODE

* N O T E S *	INVERTER TORQUE: VARIABLE 10:1	
	INV. HP SPEED RANGE: NONE	
	ENCODER: NONE	
	NONE	
	NONE NONE PPR	

DATE: 2/20/2018	BRAKE: NONE	
	NONE NONE NONE	
	FT-LB: NA	HZ:
	VOLTAGE: NONE	
UL: Y-(LEESON UL REC)		

Data Sheet

Date: 2/20/2018

171803.60



Data @ 460 V

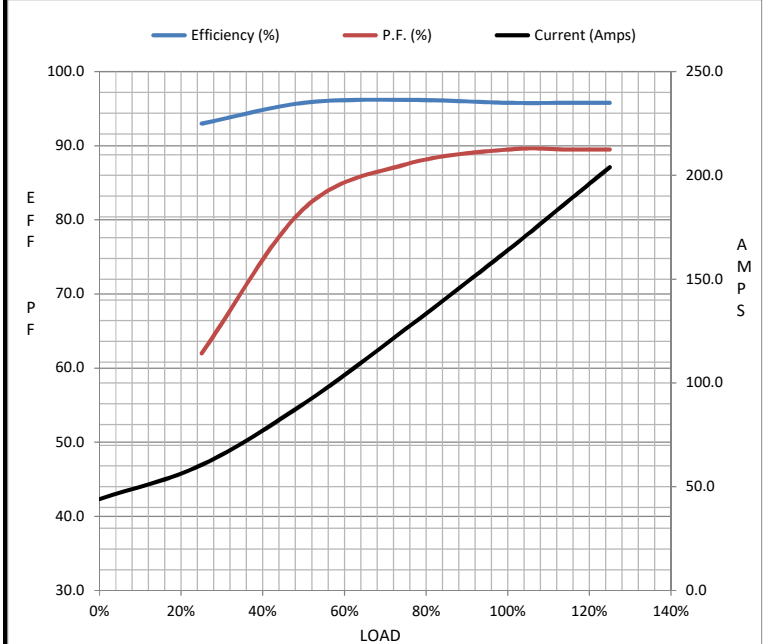
Motor Load Data

Load	0%	25%	50%	75%	100%	115%	125%	LR
Current (Amps)	44.0	60.5	90.0	126	164	188	204	1,085
Torque (ft-lb)	0.00	110	220	330	440	507	552	880
RPM	1800	1797	1795	1793	1790	1,788	1787	0
Efficiency (%)		93.0	95.8	96.2	95.8	95.8	95.8	
P.F. (%)	5.0	62.0	81.5	87.5	89.5	89.5	89.5	0.0

Motor Speed Data

	LR	Pull-Up	BD	Rated	Idle
Speed (RPM)	0	900	1750	1790	1800
Current (Amps)	1,085	900	706	164	44.0
Torque (ft-lb)	880	718	1,247	440	0.00

Information Block				
HP	150.0			
Sync. RPM	1800			
Frame	445			
Enclosure	TEFC			
Construction	TFC			
Voltage	460#380 V			
Frequency	60 Hz			
Design	A			
LR Code letter	G			
Service Factor	1.15			
Temp Rise @ FL	55 °C			
Duty	CONT			
Ambient	40 °C			
Elevation	1,000 feet			
Rotor/Shaft wk ²	0.00 Lb-Ft ²			
Ref Wdg	T22804023 NONE			
Sound Pressure @ 1M	999 dBA			
VFD Rating	VARIABLE 10:1			
Outline Dwg	16954760			
Conn. Diag	00519001			
Additional Specifications:				
0				
0				
EQUIV CKT (OHMS / PHASE)				
R1	R2	X1	X2	Xm
0.0000	0.0000	0.0000	0.0000	0.0000



Speed - Torque Curve

