

PRODUCT INFORMATION PACKET



Model No: 171765.00

Catalog No: 171765.00

General Purpose Motor, 40 HP, 3 Ph, 60 Hz, 575 V, 1800 RPM, 324TC Frame, TEFC



Regal and Leeson are trademarks of Regal Rexnord Corporation or one of its affiliated companies.
©2022 Regal Rexnord Corporation, All Rights Reserved. MC017097E





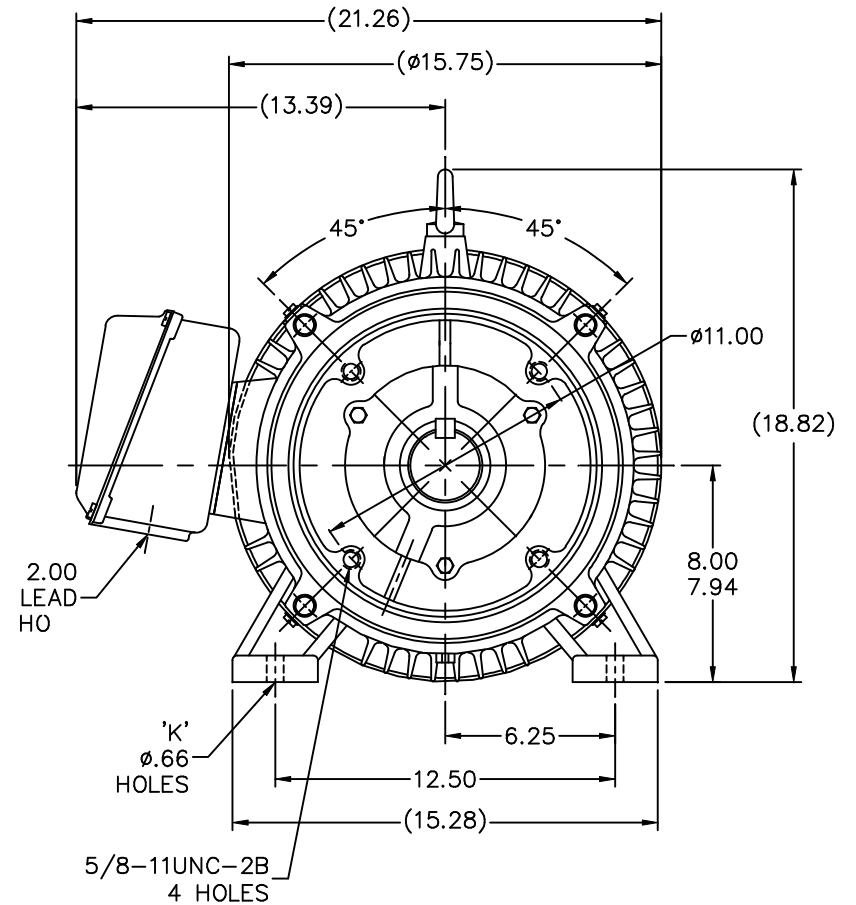
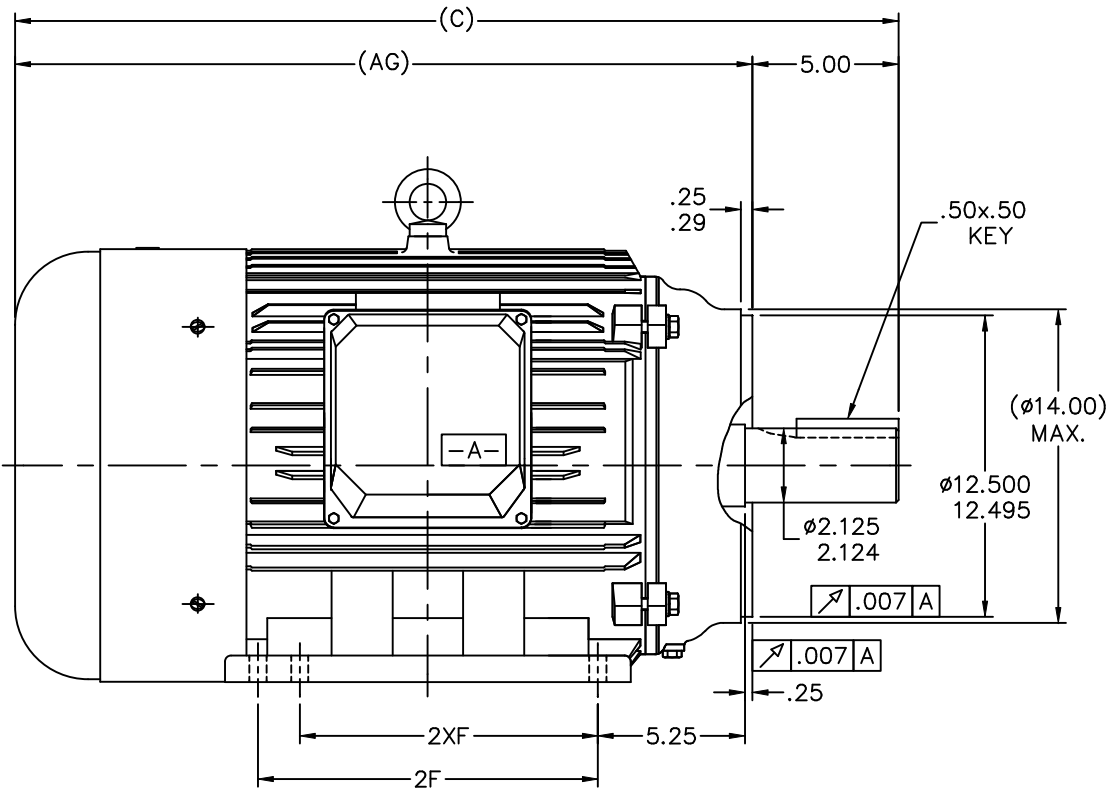
Nameplate Specifications

Output HP	40 Hp	Output KW	30.0 kW
Frequency	60 Hz	Voltage	575 V
Current	38.0 A	Speed	1780 rpm
Service Factor	1.15	Phase	3
Efficiency	94.1 %	Power Factor	86
Duty	Continuous	Insulation Class	F
Design Code	B	KVA Code	G
Frame	324TC	Enclosure	Totally Enclosed Fan Cooled
Thermal Protection	No Protection	Ambient Temperature	40 °C
Drive End Bearing Size	6312	Opp Drive End Bearing Size	6312
UL	Recognized	CSA	Y
CE	Y	IP Code	43
Hazardous Location	DIVISION 2	Number of Speeds	1

Technical Specifications

Electrical Type	Squirrel Cage Induction Run	Starting Method	Across The Line
Poles	4	Rotation	Reversible
Mounting	Rigid Base	Motor Orientation	Horizontal
Drive End Bearing	Ball	Opp Drive End Bearing	Ball
Frame Material	Cast Iron	Shaft Type	T
Overall Length	29.53 in	Shaft Diameter	2.125 in
Shaft Extension	5 in	Assembly/Box Mounting	F1/F2 CAPABLE
Outline Drawing	SS622046LE	Connection Drawing	00519001

This is an uncontrolled document once printed or downloaded and is subject to change without notice. Date Created:11/29/2022

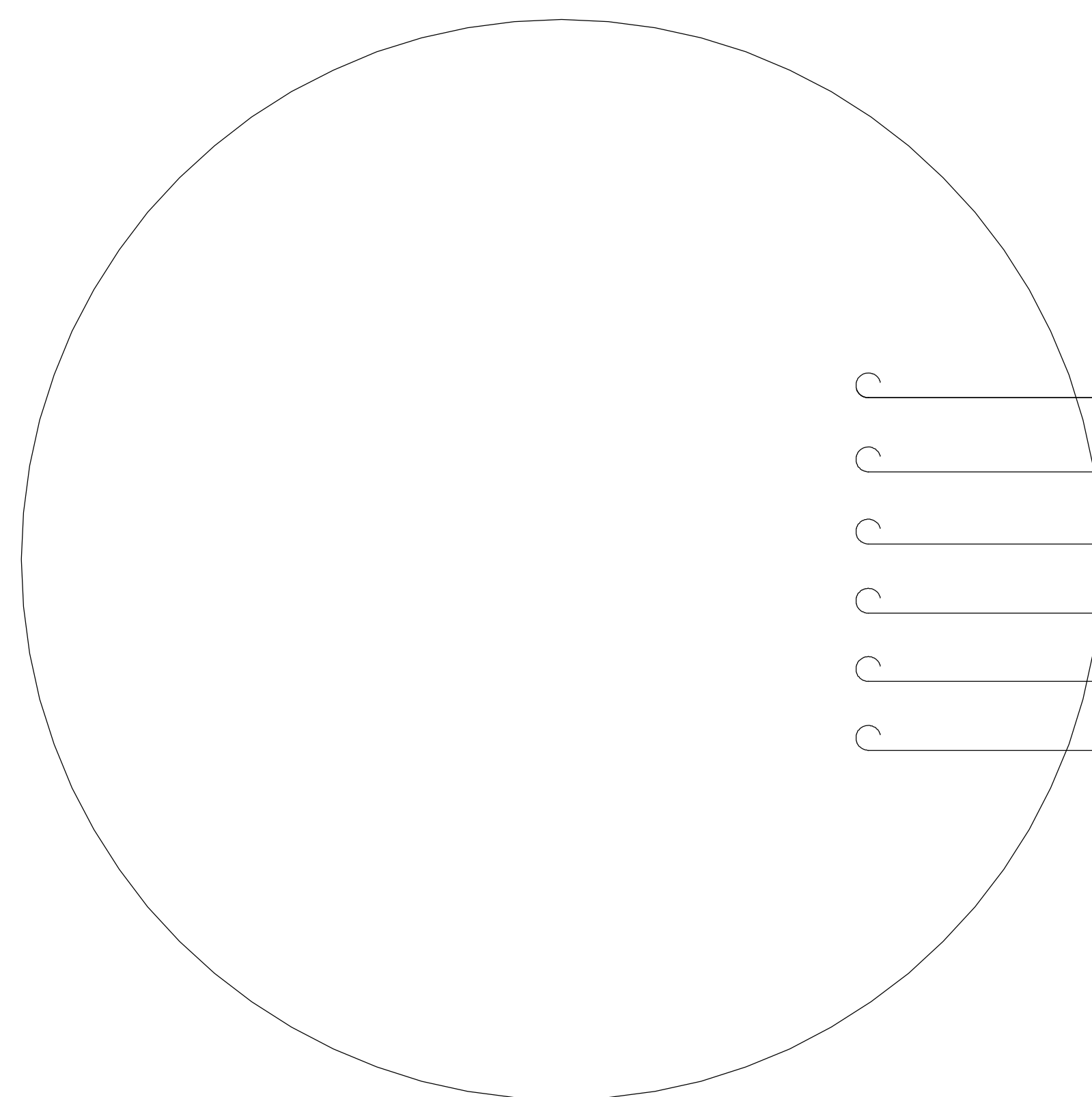


NOT DRAWN TO SCALE

---	N324TC-4	29.53	24.53	---	10.50	---	4	---	
---	N326TC-4	31.02	26.02	---	12.00	10.50	6	---	
DASH	FRAME	C	AG	B	2F	2XF	K	BS	

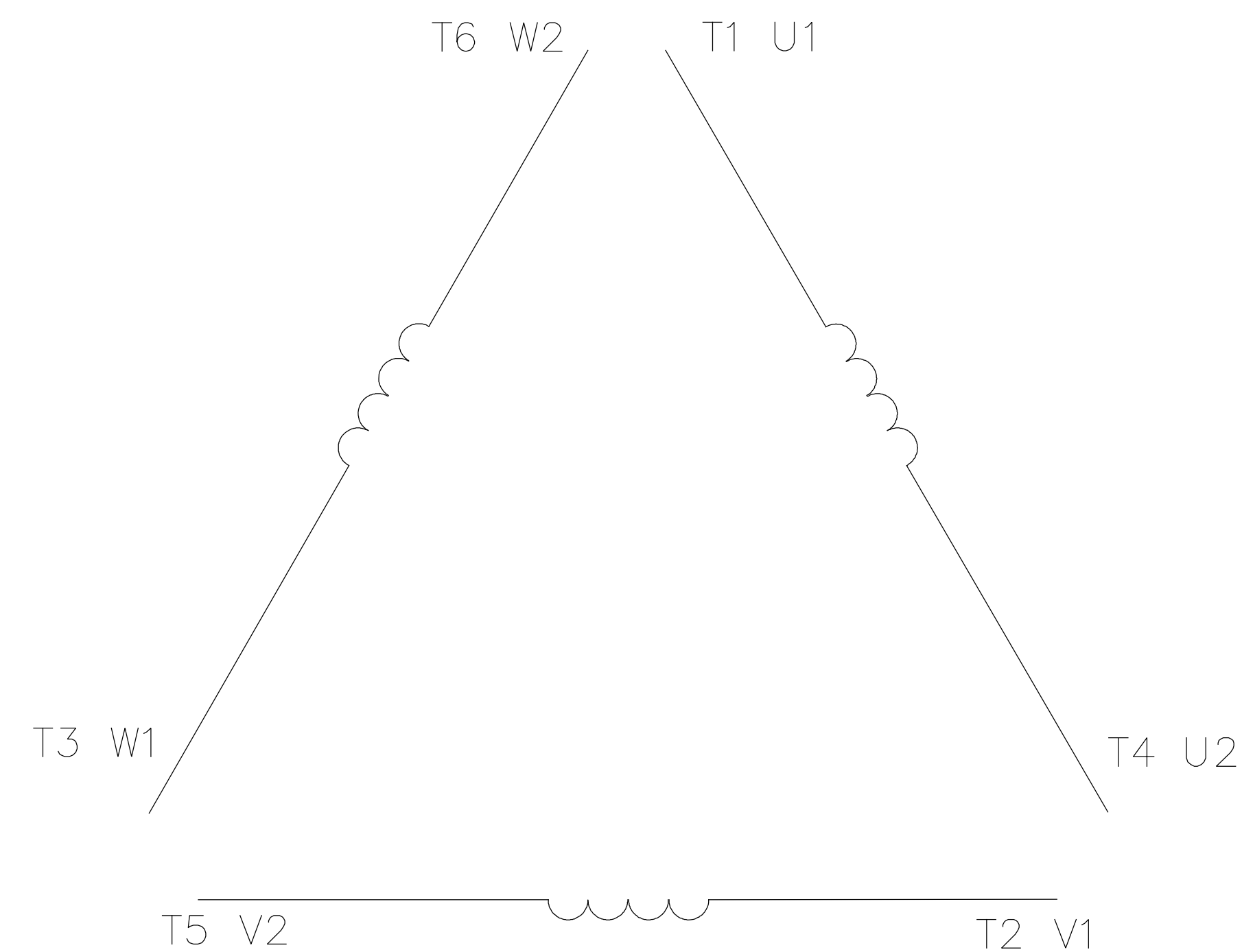
		TOLERANCES UNLESS SPECIFIED				ELECTRIC MOTORS GEARMOTORS AND DRIVES		DRAWN MSG 08-11-2005	
DEC.	INCHES	CHK	ML			08-12-2005			
.X	±.1			APPD LMC 08-24-2005					
.XX	±.03	TITLE OUTLINE		SCALE 1=2					
.XXX	±.005	324/6TC FRAME - C'FACE		REF					
.XXXX	±.0005	MATL		FMF					
NO.	REVISION	BY & DATE	CHK	ANG	±7'30"	FINISH	PREV	250014630-40	
THIS DRAWING IN DESIGN AND DETAIL IS OUR PROPERTY AND MUST NOT BE USED EXCEPT IN CONNECTION WITH OUR WORK ALL RIGHTS OF DESIGN AND INVENTION ARE RESERVED THIS IS AN ELECTRONICALLY GENERATED DOCUMENT - DO NOT SCALE THIS PRINT						RFP	CAD FILE ss622046le	SIZE	DRAWING NO. PAGE OF REV.
						DIST	LB	B	SS622046LE

005190-01



- T1 U1
- T2 V1
- T3 W1
- T4 U2
- T5 V2
- T6 W2

LINE LEADS



	L1	L2	L3	JOIN
START (WYE)	T1 U1	T2 V1	T3 U2	(T4,T5,T6) (U2,V2,W2)
RUN (DELTA)	(T1,T6) (U1,W2)	(T2,T4) (V1,U2)	(T3,T5) (W1,V2)	

				TOLERANCES UNLESS OTHERWISE SPECIFIED		LEESON ELECTRIC CORPORATION			
				DECIMALS					
04	ADDED MAT'L (CWLE) PER ECO-0168542	DS	6/10/2019			DRAWN PG 05/07/82	EXT. WIRING DIAGRAM STAR START - DELTA RUN		
03	ADDED IEC DESIGNATIONS	MOL	4/27/2012	.00	± .01	CH'K'D. TEM			
02	REMOVED OBSOLETE STATUS	KJH	6/28/99	.000	± .005	APPR. 05/07/82	MAT'L. Y-CONNECTED START (CWLE) DELTA CONNECTED RUN - SINGLE VOLTAGE		
01	REDRAWN ON CAD	DBT	05/30/97	.0000	± .0005	SCALE 1=1			
NO.	REVISION	BY	DATE	FRACTIONS	± 1/64	REF. T2E	FINISH	SIZE	DRAWING NO.
THIS DRAWING IN DESIGN AND DETAIL IS OUR PROPERTY AND MUST NOT BE USED EXCEPT IN CONNECTION WITH OUR WORK ALL RIGHTS OF DESIGN AND INVENTION ARE RESERVED				ANGLES	± 1/2'	FMF	ELECTRO POWER	A	005190-01
				INCH/MM					



P.O. BOX 8003
 WAUSAU, WI 54401-8003
 PH. 715-675-3311

DATA VOLTS: 575

CERTIFICATION DATA SHEET

CUSTOMER:
 ORDER #:
 CONN. DIAGRAM: 00519001
 OUTLINE: SS622046LE
 WINDING: T16104005 FR 4
 SPEED:

CUSTOMER P.O. #:
 REFERENCE MODEL #: 171765
 CAT #: #VALUE!
 CUSTOMER PART #:
 MOUNTING: F1/F2 CAPABLE

TYPICAL MOTOR PERFORMANCE DATA

HP	KW	SYNC RPM	FL RPM	FRAME	ENCLOSURE	TYPE	KVA CODE	DESIGN
40	30	1800	1778	324TC	TEFC	TFC	G	N

PH	HZ	VOLTS	AMPS	START TYPE	DUTY	INSL	S.F.	AMB	ELEV.
3	60	575	38	ACROSS THE LINE	CONT	F	1.15	40	3300

F.L. EFF	94.7	3/4 LD EFF	95.0	1/2 LD EFF	95.1	GTD EFF	ELECT. TYPE
F.L. PF	86.3	3/4 LD PF	82.9	1/2 LD PF	74.9	0.0	SQ CAGE IND RUN

F.L. TORQUE	LR AMPS @ 460 V	L.R. TORQUE	B.D. TORQUE	F.L. RISE (°C)
119 LB-FT	232	224 LB-FT	188%	348 LB-FT 292%

SOUND PRESSURE @ 3 FT.	SOUND	POWER	ROTOR WK ²	MAX. LOAD WK ²	SAFE STALL TIME	STARTS/HOUR	APROX.	MOTOR WGT
999 dBA	1008 dBA		6.3 LB-FT ²	0 LB-FT ²	20 SEC.	2	534 LB.	

***** SUPPLEMENTAL INFORMATION *****

DE BRACKET TYPE	ODE BRACKET TYPE	MOUNT TYPE	MOTOR ORIENTATION	SEVERE DUTY	HAZARDOUS LOCATION	DRIP COVER	SCREENS	PAINT
C-FACE	STANDARD	RIGID	HORIZONTAL	NO	DIVISION 2	NO	NONE	BLUE (ENAMEL)

DE	ODE	GREASE	SHAFT TYPE	SPECIAL DE	SPECIAL ODE	SHAFT MATERIAL	FRAME MATERIAL
BALL	BALL	POLYREX EM	T	NONE	NONE	AISI 1045 (C-240)	CAST IRON
6312	6312						

THERMOSTATS	PROTECTORS	WDG RTD's	BRG RTD's	THERMISTORS	CONTROL	SPACE HEATERS
NONE	NOT	NONE	NONE	NONE	FALSE	NA

R1 (ohms/ph)	R2 (ohms/ph)	X1 (ohms/ph)	X2 (ohms/ph)	Xm (ohms/ph)	VIBRATION (in/sec)	FLOAT
0	0	0	0	0	0.150	ODE

NOTES	INVERTER TORQUE: NONE					
	INV. HP SPEED RANGE: NONE					
	ENCODER: NONE					
	NONE PPR					

PREPARED BY: CHANDANA DESU	BRAKE: NONE
DATE: 3/29/2022	NONE NONE
	FT-LB: NA
	VOLTAGE: NONE HZ:
FORM: 3531 REV_4 2/27/06	UL: Y-(LEESON UL REC)

Data Sheet

Date: 3/29/2022
 Customer: _____
 Attention: _____
 Submitted by: CHANDANA DESU



171765

Submittal

Data @ 575 V

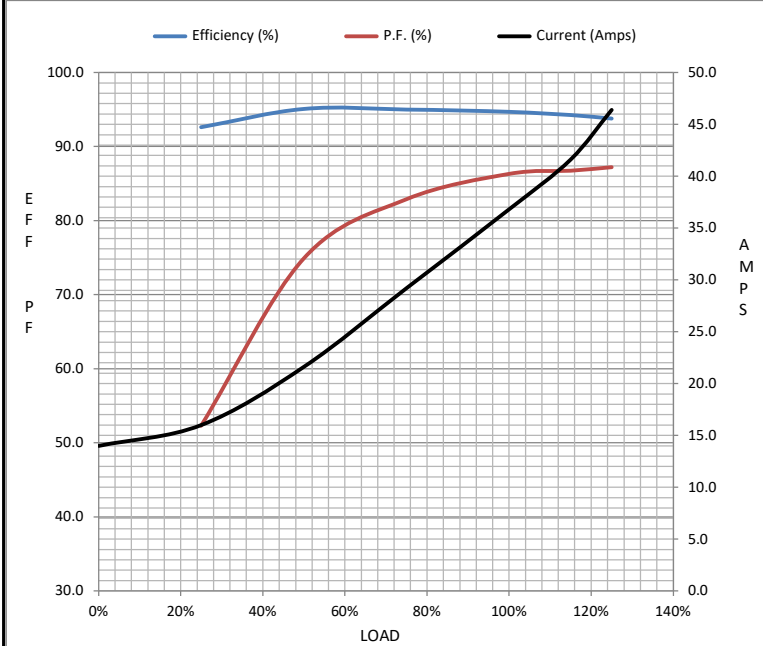
Motor Load Data

Load	0%	25%	50%	75%	100%	115%	125%	LR
Current (Amps)	14.0	16.0	21.6	29.2	36.8	41.6	46.4	232
Torque (ft-lb)	0.00	30.3	60.3	90.3	119	134	150	224
RPM	1800	1795	1790	1784	1778	1,776	1772	0
Efficiency (%)		92.6	95.1	95.0	94.7	94.3	93.8	
P.F. (%)	4.8	52.3	74.9	82.9	86.3	86.8	87.2	0.0

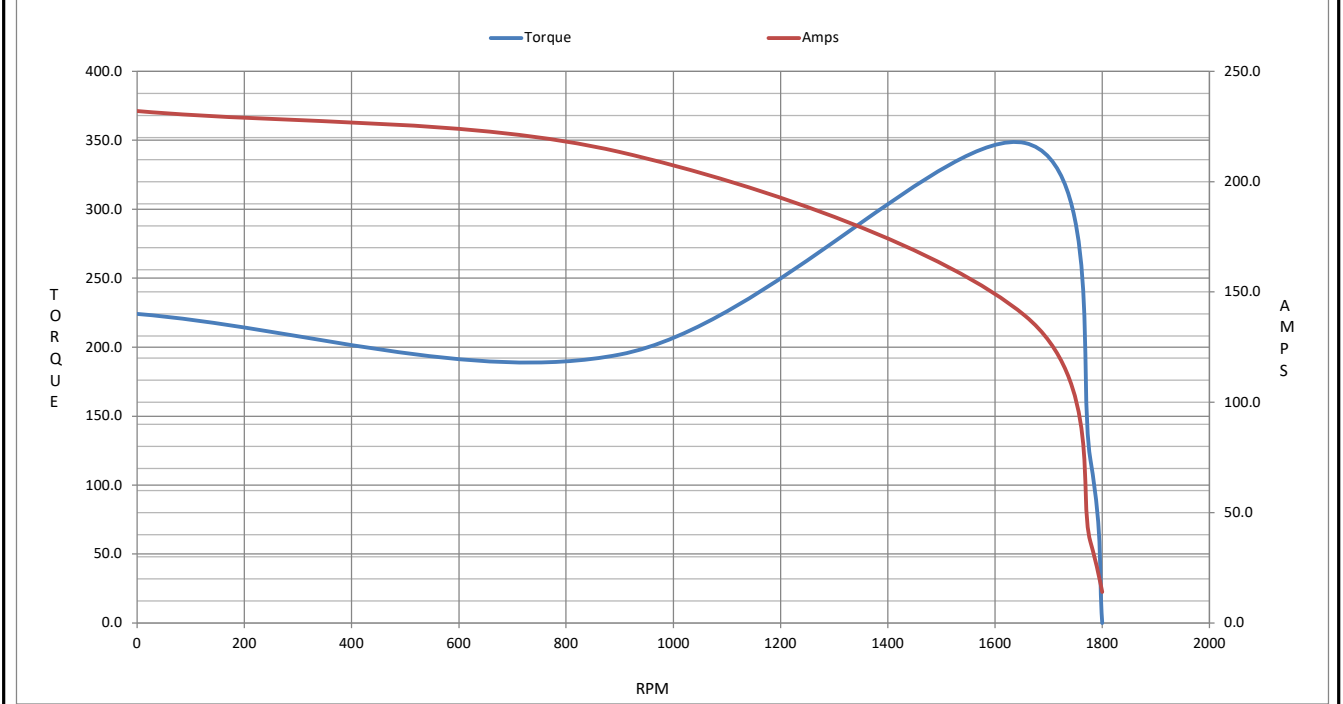
Motor Speed Data

	LR	Pull-Up	BD	Rated	Idle
Speed (RPM)	0	900	1656	1778	1800
Current (Amps)	232	213	139	36.8	14.0
Torque (ft-lb)	224	195	348	119	0.00

Information Block				
HP	40.0			
Sync. RPM	1800			
Frame	324			
Enclosure	TEFC			
Construction	TFC			
Voltage	575 V			
Frequency	60 Hz			
Design	N			
LR Code letter	G			
Service Factor	1.15			
Temp Rise @ FL	58 ° C			
Duty	CONT			
Ambient	40 ° C			
Elevation	3,300 feet			
Rotor/Shaft wk ²	6.3 Lb-F ²			
Ref Wdg	T16104005 FR			
Sound Pressure @ 1M	999 dBA			
VFD Rating	NONE			
Outline Dwg	SS622046LE			
Conn. Diag	00519001			
Additional Specifications:				
0				
0				
EQUIV CKT (OHMS / PHASE)				
R1	R2	X1	X2	Xm
0.0000	0.0000	0.0000	0.0000	0.0000



Speed - Torque Curve



EC Declaration of Conformity

The undersigned representing
the manufacturer:

Regal Beloit America
100 East Randolph St.
Wausau, WI 54401

and the authorized representative
established within the Community:

Marathon Electric UK
6F Thistleton Road Ind. Estate
Market Overton
Oakham, Rutland LE15 7PP UK

are committed to providing customers with products that comply with applicable regulations and international protocols to which they are subject, including the requirements of the European Parliament Directive on the Harmonization of the laws relating to electrical equipment designed for use within certain voltage limits (2014/35/EU).

Regal Beloit America declares that the following product(s), to which this declaration relates, are in conformity with the relevant sections of the EC standards listed below.

This statement supersedes any statements previously issued pertaining to the product(s) listed below and is subject to change without notice.

Model No : 171765.00

(Model No. may contain prefix and/or suffix characters)

Catalog No : 171765.00

Rework No : N/A

Directives :

Low Voltage Directive 2014/35/EU

Harmonized Standards Used :

EN 60034-1: 2010 (IEC 60034-1: 2010)

EN 60034-5: 2001/A1:2007 (IEC 60034-5: 2000/A1:2006)

Authorized Representative:



Michael A. Logsdon
Vice President, Technology

Authorized Representative in the Community:



Julian Clark
Marketing Engineer

Created on 09/01/2022

CE 22