

PRODUCT INFORMATION PACKET



Model No: 171644.00

Catalog No: 171644.00

General Purpose Motor, 1.50 & 1 HP, 3 Ph, 60 & 50 Hz, 208-230/460 & 190/380 V, 1200 & 1000 RPM,
182T Frame, TEFC



Regal and Leeson are trademarks of Regal Rexnord Corporation or one of its affiliated companies.

©2023 Regal Rexnord Corporation, All Rights Reserved. MC017097E



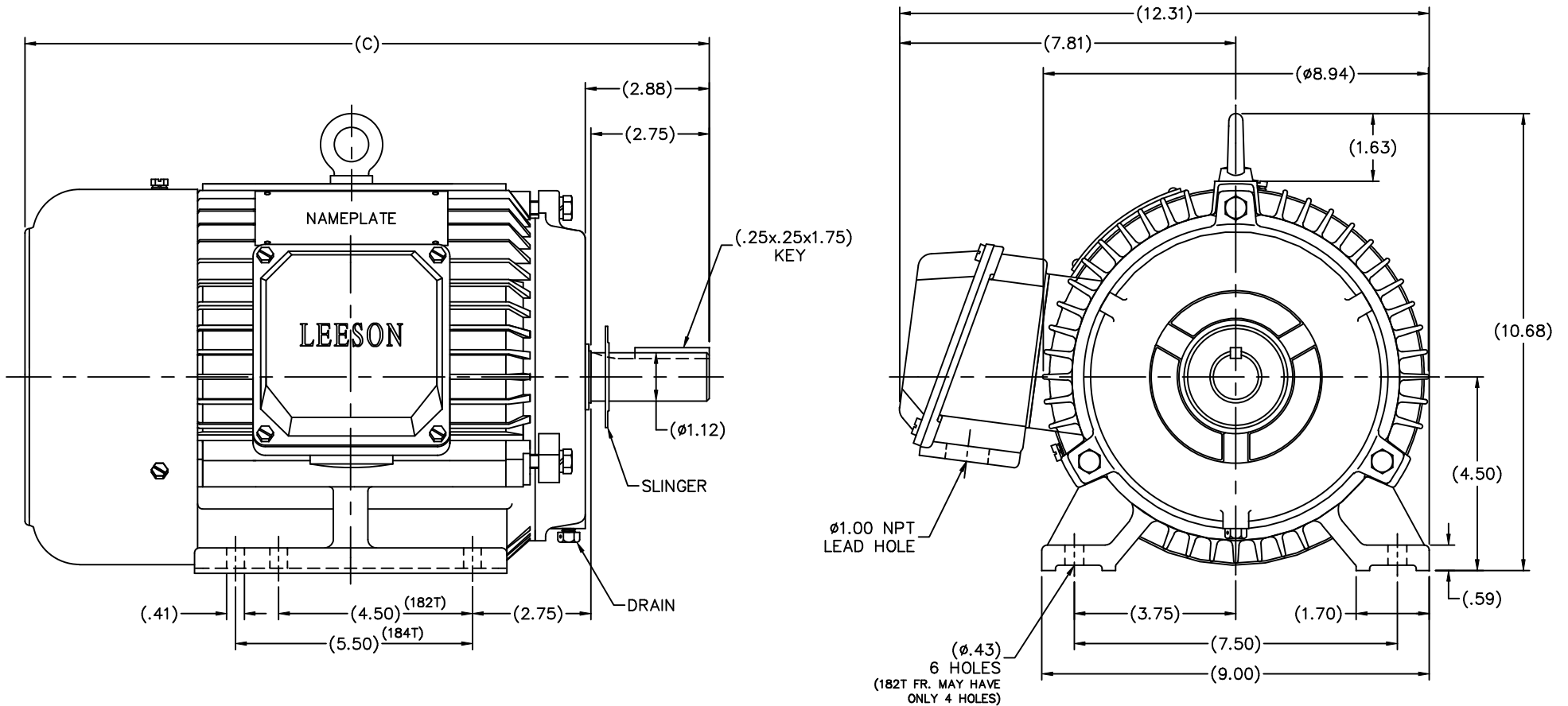


Nameplate Specifications

Phase	3	Output HP	1.50 & 1 Hp
Output KW	1.1 & 0.75 kW	Voltage	208-230/460 & 190/380 V
Speed	1185 & 988 rpm	Service Factor	1.15 & 1.15
Frame	182T	Enclosure	Totally Enclosed Fan Cooled
Thermal Protection	No Protection	Efficiency	87.5 & 87.5 %
Ambient Temperature	40 °C	Frequency	60 & 50 Hz
Current	4.8-4.6/2.3 & 4/2 A	Power Factor	68
Duty	Continuous	Insulation Class	F
Design Code	B	KVA Code	K
Drive End Bearing Size	6206	Opp Drive End Bearing Size	6205
UL	Recognized	CSA	Y
CE	Y	IP Code	43
Number of Speeds	1		

Technical Specifications

Electrical Type	Squirrel Cage Induction Run	Starting Method	Across The Line
Poles	6	Rotation	Reversible
Resistance Main	4.65 Ohms	Mounting	Rigid Base
Motor Orientation	Horizontal	Drive End Bearing	Ball
Opp Drive End Bearing	Ball	Frame Material	Cast Iron
Shaft Type	T	Overall Length	16.14 in
Shaft Diameter	1.125 in	Shaft Extension	2.75 in
Assembly/Box Mounting	F1/F2 CAPABLE		
Connection Drawing	005010.01	Outline Drawing	SS622136LE



(MAY NOT BE DRAWN TO SCALE)

182T	16.14
184T	16.80
FRAME	C

		TOLERANCES UNLESS SPECIFIED		LEESON ELECTRIC MOTORS GEARMOTORS AND DRIVES	DRAWN MSG 06-01-2006
		DEC.	INCHES		CHK ML 06-03-2006
		.X	±.1		APPD SB 06-08-2006
		.XX	±.03		SCALE 7-16
		.XXX	±.005	TITLE OUTLINE	REF
		.XXXX	±.0005	182T/184T FR. - TEFC - RIGID	FMF HEBEI
				MATL	PREV
NO.	REVISION	BY & DATE	CHK ANG ±730°	FINISH 171623.60 & 171630.60	
THIS DRAWING IN DESIGN AND DETAIL IS OUR PROPERTY AND MUST NOT BE USED EXCEPT IN CONNECTION WITH OUR WORK ALL RIGHTS OF DESIGN AND INVENTION ARE RESERVED THIS IS AN ELECTRONICALLY GENERATED DOCUMENT - DO NOT SCALE THIS PRINT				RFP CAD FILE ss622136le	SIZE B
				DIST WA	DRAWING NO. SS622136LE
					PAGE OF

005010-01

VIEW FROM OUTSIDE OF MOTOR AT SWITCH END.



VOLTAGE	L1	L2	L3	JOIN & INSULATE
HIGH	T1	T2	T3	(T4,T7) (T5,T8) (T6,T9)
LOW	T1,T7	T2,T8	T3,T9	T4,T5,T6

				TOLERANCES UNLESS SPECIFIED		REGAL ™ Regal Beloit America, Inc.		DRAWN RDW 04/12/02				
				DEC.	INCHES			CHK				
				.X	±.1			APPD				
				.XX	±.01			SCALE 1=1				
				.XXX	±.005	TITLE		REF FIG.2-51				
A	UPDATED TO REGAL LOGO			SAJ	06/26/15	AJY	.XXXX	±.0005	MAT'L. DECAL - 004014	FMF		
NO.	REVISION			BY & DATE	CHK	ANG	±1/2"	FINISH	PREV			
THIS DRAWING IN DESIGN AND DETAIL IS OUR PROPERTY AND MUST NOT BE USED EXCEPT IN CONNECTION WITH OUR WORK ALL RIGHTS OF DESIGN AND INVENTION ARE RESERVED THIS IS AN ELECTRONICALLY GENERATED DOCUMENT - DO NOT SCALE THIS PRINT				RFP	04/12/02		CAD FILE	00501001		SIZE	DRAWING NO.	REV.
				DIST	BRF-NLV			A	005010-01		A	