

# PRODUCT INFORMATION PACKET



Model No: 171638.60

Catalog No: 171638.60

Severe Duty Motor, 15 & 10 HP, 3 Ph, 60 & 50 Hz, 208-230/460 & 190/380 V, 1200 & 1000 RPM,  
284T Frame, TEFC



Regal and Leeson are trademarks of Regal Rexnord Corporation or one of its affiliated companies.

©2023 Regal Rexnord Corporation, All Rights Reserved. MC017097E





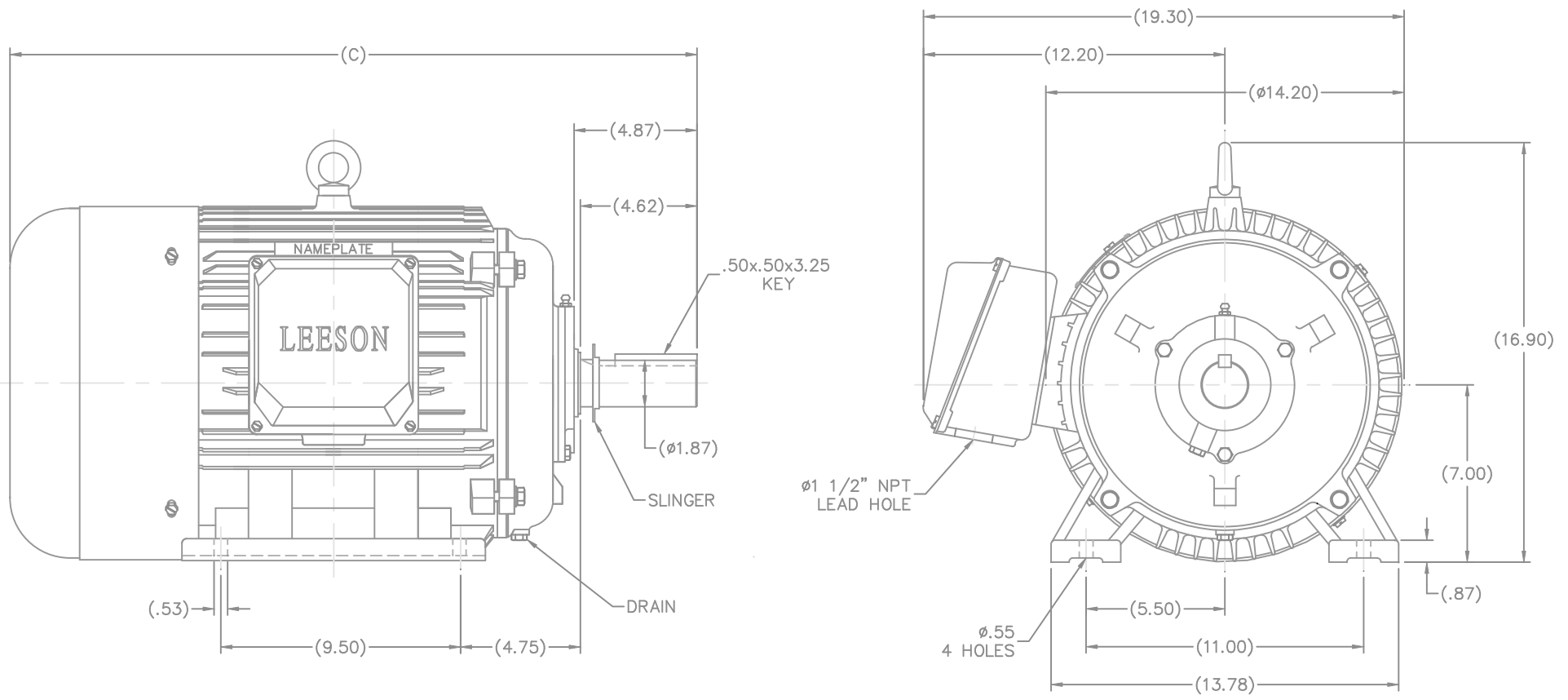
### Nameplate Specifications

Phase	3	Output HP	15 & 10 Hp
Output KW	11.2 & 7.5 kW	Voltage	208-230/460 & 190/380 V
Speed	1185 & 985 rpm	Service Factor	1.25 & 1.15
Frame	284T	Enclosure	Totally Enclosed Fan Cooled
Thermal Protection	No Protection	Efficiency	92.4 & 91.7 %
Ambient Temperature	40 °C	Frequency	60 & 50 Hz
Current	43-40.5/20.3 & 33/16.6 A	Power Factor	74.9
Duty	Continuous	Insulation Class	F
Design Code	B	KVA Code	H
Drive End Bearing Size	NONE	Opp Drive End Bearing Size	NONE
UL	Recognized	CSA	Y
CE	Y	IP Code	55
Number of Speeds	1		

### Technical Specifications

Electrical Type	Squirrel Cage Inverter Rated	Starting Method	Wye Start Delta Run Or Inverter
Poles	6	Rotation	Reversible
Mounting	Rigid Base	Motor Orientation	Horizontal
Drive End Bearing	Ball	Opp Drive End Bearing	Ball
Frame Material	Cast Iron	Shaft Type	T
Overall Length	26.30 in	Shaft Diameter	1.875 in
Shaft Extension	4.62 in	Assembly/Box Mounting	F1/F2 CAPABLE
Connection Drawing	004172.01	Outline Drawing	SS622141LE

This is an uncontrolled document once printed or downloaded and is subject to change without notice. Date Created:06/21/2023



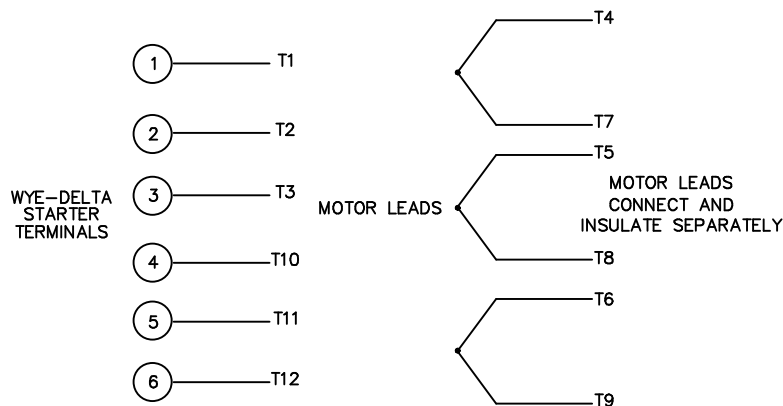
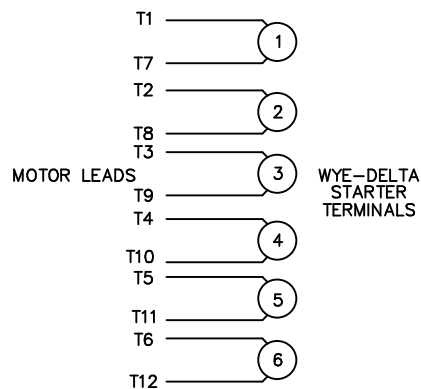
284T	26.30
FRAME	C

		TOLERANCES UNLESS SPECIFIED		LEESON	ELECTRIC MOTORS GEARMOTORS AND DRIVES	DRAWN MSG 06-02-2006
		DEC.	INCHES			
		.X	±.1			APPD SB 06-08-2006
		.XX	±.03	TITLE	OUTLINE	SCALE 1=4
		.XXX	±.005		284T FR. - TEFC	REF
		.XXXX	±.0005	MAT'L		FMF HEBEI
NO.	REVISION	BY & DATE	CHK ANG ±7'30"	FINISH	171638.60	PREV
THIS DRAWING IN DESIGN AND DETAIL IS OUR PROPERTY AND MUST NOT BE USED EXCEPT IN CONNECTION WITH OUR WORK ALL RIGHTS OF DESIGN AND INVENTION ARE RESERVED THIS IS AN ELECTRONICALLY GENERATED DOCUMENT - DO NOT SCALE THIS PRINT				RFP	CAD FILE ss622141le	SIZE B
				DIST WA		DRAWING NO. PAGE OF REV. SS622141LE

WYE - DELTA STARTING USEABLE ON 2,4 AND 6 POLE MOTORS.

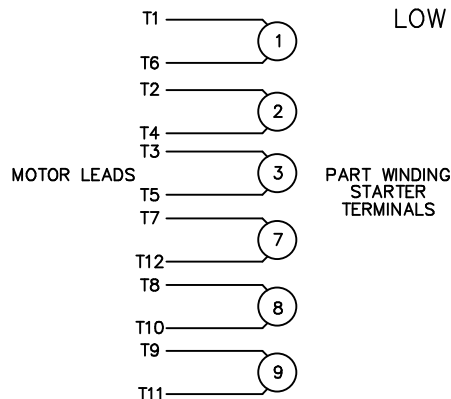
LOW VOLTAGE CONNECTION

HIGH VOLTAGE CONNECTION



REFER TO THE WYE-DELTA STARTER CONNECTION INSTRUCTIONS FOR PROPER CONNECTION OF POWER LINES TO STARTER.

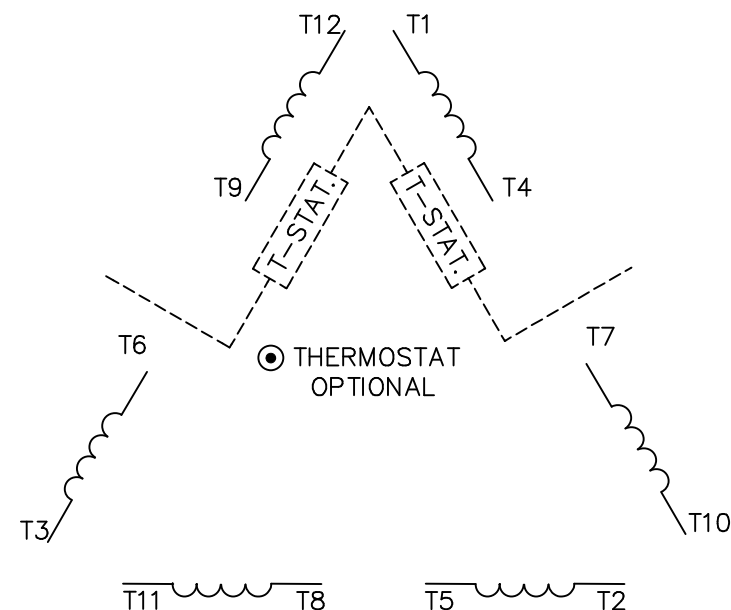
PART WINDING START USABLE ON 4 & 6 POLE MOTORS  
LOW VOLTAGE CONNECTION ONLY



REFER TO THE PART WINDING STARTER INSTRUCTIONS FOR PROPER CONNECTION OF POWER LINES TO STARTER.

REFER TO THE CUTLER - HAMMER OR EQUIV. FOR PROPER SELECTION OF OVERLOAD HEATER COILS.

LINE LEADS



ROTATION CAN BE REVERSED BY INTERCHANGING ANY TWO LINE LEADS  
● RED LEADS OR P1, P2, FOR N/C THERMOSTAT

ACROSS THE LINE START & RUN

	LINE 1	LINE 2	LINE 3	JOIN & INSULATE SEPARATELY
HIGH VOLT	T1, T12	T2, T10	T3, T11	(T4, T7) (T5, T8) (T6, T9)
LOW VOLT	T1, T6 T7, T12	T2, T4 T8, T10	T3, T5 T9, T11	

TOLERANCES UNLESS SPECIFIED  
DEC. INCHES



ELECTRIC MOTORS  
GEARMOTORS  
AND DRIVES

DRAWN WLW 09/08/77  
CHK RPB 09/12/77  
APPD JCW 09/12/77

NO.	REVISION	BY & DATE	CHK	ANG	±1/2'
03	REV'D LOW VOLTAGE CONN. LEADS PER ELEC.	BJB 06/07/00	.XX	±.01	
02	ADDED T-STAT. NOTES PER ELECTRICAL	KMM 06/02/98	.XXX	±.005	
01	REDRAWN TO CAD	DBT 06/02/97	.XXXX	±.0005	

TITLE	DELTA - WYE CONNECTION DIAGRAM
MAT'L.	
FINISH	

SCALE	1=1
REF	
FMF	
PREV	

THIS DRAWING IN DESIGN AND DETAIL IS OUR PROPERTY AND MUST NOT BE USED EXCEPT IN CONNECTION WITH OUR WORK ALL RIGHTS OF DESIGN AND INVENTION ARE RESERVED THIS IS AN ELECTRONICALLY GENERATED DOCUMENT - DO NOT SCALE THIS PRINT

RFP	CAD FILE	00417201	SIZE	DRAWING NO.	REV.
DIST			A	004172-01	03

Data Sheet

Date: 1/30/2018

171638.60



Data @ 460 V

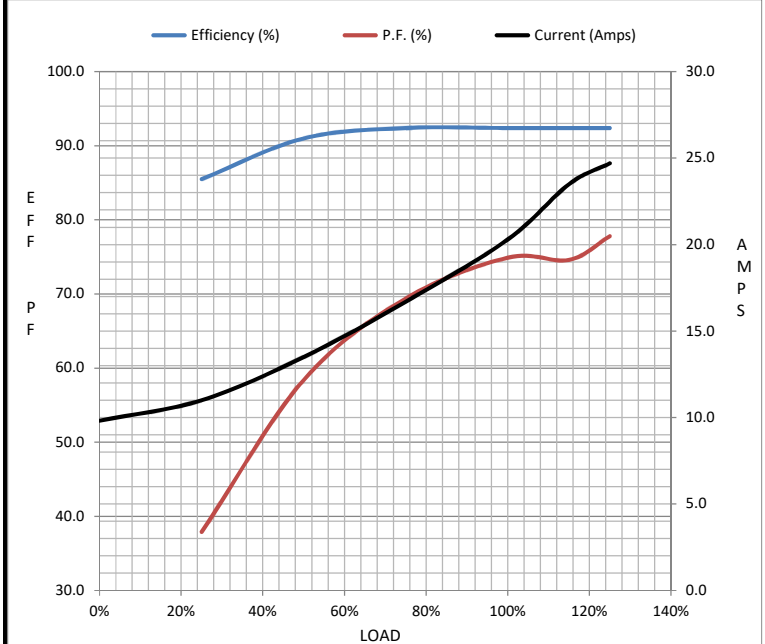
Motor Load Data

Load	0%	25%	50%	75%	100%	115%	125%	LR
Current (Amps)	9.8	11.0	13.5	16.7	20.3	23.5	24.7	130
Torque (ft-lb)	0.00	16.9	33.7	50.6	66.4	76.5	84.4	114
RPM	1200	1197	1194	1190	1185	1,184	1182	0
Efficiency (%)		85.5	91.0	92.4	92.4	92.4	92.4	
P.F. (%)	5.7	37.9	58.4	69.4	74.9	74.6	77.8	0.0

Motor Speed Data

	LR	Pull-Up	BD	Rated	Idle
Speed (RPM)	0	600	1100	1185	1200
Current (Amps)	130	124	84.5	20.3	9.8
Torque (ft-lb)	114	93.5	194	66.4	0.00

Information Block				
HP	15.0			
Sync. RPM	1200			
Frame	284			
Enclosure	TEFC			
Construction	TFC			
Voltage	208-230/460#190/380 V			
Frequency	60 Hz			
Design	A			
LR Code letter	H			
Service Factor	1.15			
Temp Rise @ FL	40 °C			
Duty	CONT			
Ambient	40 °C			
Elevation	1,000 feet			
Rotor/Shaft wk <sup>2</sup>	6.3 Lb-Ft <sup>2</sup>			
Ref Wdg	T14506012 NONE			
Sound Pressure @ 1M	999 dBA			
VFD Rating	CONSTANT 10:1			
Outline Dwg	SS622141LE			
Conn. Diag	004172.01			
Additional Specifications:				
0				
0				
EQUIV CKT (OHMS / PHASE)				
R1	R2	X1	X2	Xm
0.0000	0.0000	0.0000	0.0000	0.0000



Speed - Torque Curve

