

PRODUCT INFORMATION PACKET



Model No: 171630.60

Catalog No: 171630.60

Severe Duty Motor, 5 & 5 HP, 3 Ph, 60 & 50 Hz, 230/460 & 190/380 V, 1800 & 1500 RPM, 184T Frame,
TEFC



Regal and Leeson are trademarks of Regal Rexnord Corporation or one of its affiliated companies.

©2023 Regal Rexnord Corporation, All Rights Reserved. MC017097E



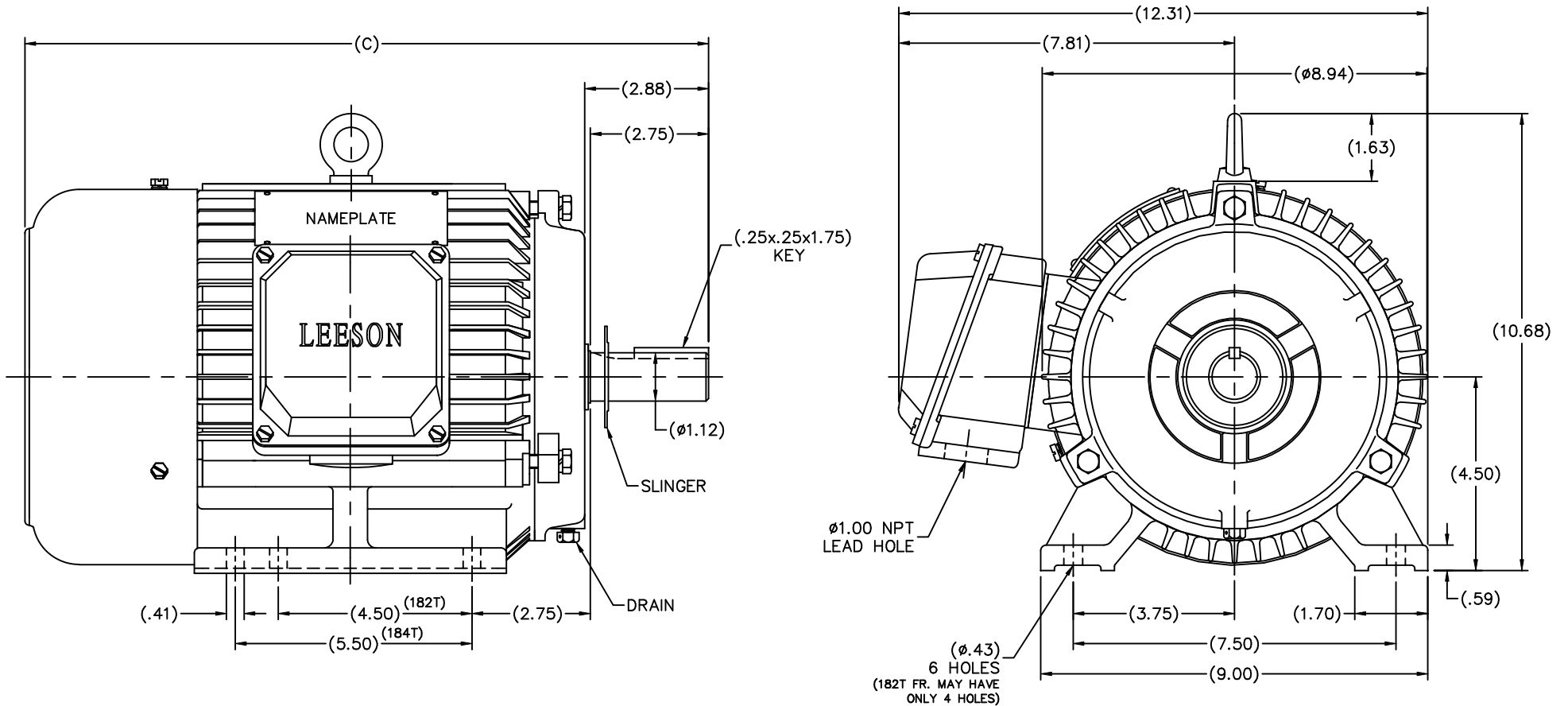


Nameplate Specifications

Phase	3	Output HP	5 & 5 Hp
Output KW	3.7 & 3.7 kW	Voltage	230/460 & 190/380 V
Speed	1760 & 1445 rpm	Service Factor	1.15 & 1.0
Frame	184T	Enclosure	Totally Enclosed Fan Cooled
Thermal Protection	No Protection	Efficiency	89.5 & 86.5 %
Ambient Temperature	40 °C	Frequency	60 & 50 Hz
Current	12.8/6.4 & 15.4/7.7 A	Power Factor	81.1
Duty	Continuous	Insulation Class	F
Design Code	B	KVA Code	J
Drive End Bearing Size	6206	Opp Drive End Bearing Size	6205
UL	Recognized	CSA	Y
CE	Y	IP Code	55
Number of Speeds	1	Hazardous Location	DIVISION 2 T3

Technical Specifications

Electrical Type	Squirrel Cage Inverter Rated	Starting Method	Line Or Inverter
Poles	4	Rotation	Reversible
Resistance Main	2.019 Ohms	Mounting	Rigid Base
Motor Orientation	Horizontal	Drive End Bearing	Ball
Opp Drive End Bearing	Ball	Frame Material	Cast Iron
Shaft Type	T	Overall Length	16.80 in
Shaft Diameter	1.125 in	Shaft Extension	2.75 in
Assembly/Box Mounting	F1/F2 CAPABLE		
Connection Drawing	5010.20	Outline Drawing	SS622136LE-184T



(MAY NOT BE DRAWN TO SCALE)

182T	16.14
184T	16.80
FRAME	C

		TOLERANCES UNLESS SPECIFIED		LEESON ELECTRIC MOTORS GEARMOTORS AND DRIVES	DRAWN MSG 06-01-2006
		DEC.	INCHES		CHK ML 06-03-2006
		.X	±.1		APPD SB 06-08-2006
		.XX	±.03		SCALE 7-16
		.XXX	±.005	TITLE OUTLINE	REF
		.XXXX	±.0005	182T/184T FR. - TEFC - RIGID	FMF HEBEI
NO.	REVISION	BY & DATE	CHK ANG ±730°	MATL	PREV
THIS DRAWING IN DESIGN AND DETAIL IS OUR PROPERTY AND MUST NOT BE USED EXCEPT IN CONNECTION WITH OUR WORK ALL RIGHTS OF DESIGN AND INVENTION ARE RESERVED THIS IS AN ELECTRONICALLY GENERATED DOCUMENT - DO NOT SCALE THIS PRINT				FINISH 171623.60 & 171630.60	
				CAD FILE ss622136le	SIZE B
				DIST WA	DRAWING NO. PAGE OF REV. SS622136LE

Data Sheet

Date: 2/1/2018

171630.60



Data @ 460 V

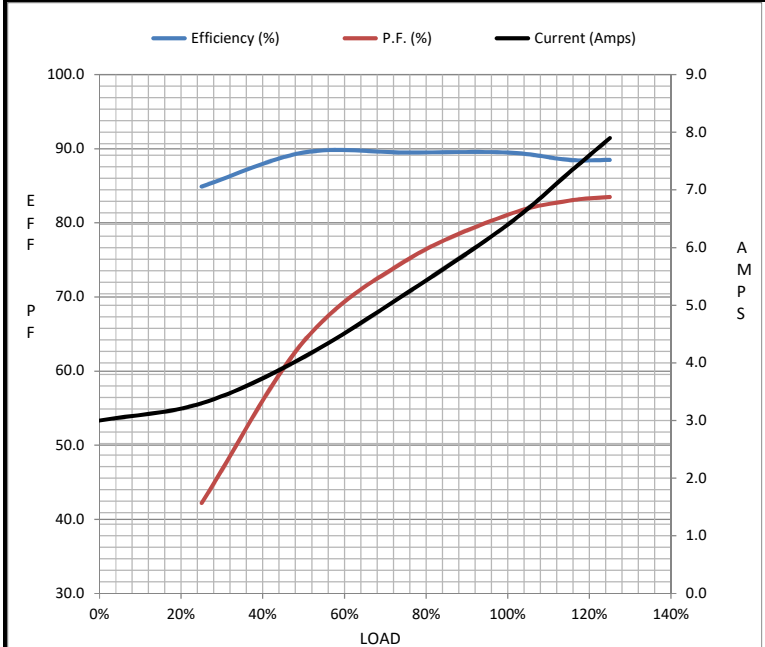
Motor Load Data

Load	0%	25%	50%	75%	100%	115%	125%	LR
Current (Amps)	3.0	3.3	4.1	5.2	6.4	7.3	7.9	49.0
Torque (ft-lb)	0.00	3.7	7.4	11.1	14.9	17.3	18.8	33.8
RPM	1800	1790	1780	1770	1760	1.750	1745	0
Efficiency (%)		84.9	89.5	89.5	89.5	88.5	88.5	
P.F. (%)	6.6	42.2	64.0	74.9	81.1	83.0	83.5	0.0

Motor Speed Data

	LR	Pull-Up	BD	Rated	Idle
Speed (RPM)	0	800	1535	1760	1800
Current (Amps)	49.0	46.5	30.0	6.4	3.0
Torque (ft-lb)	33.8	28.7	50.2	14.9	0.00

Information Block				
HP	5.0			
Sync. RPM	1800			
Frame	112			
Enclosure	TEFC			
Construction	TFC			
Voltage	208-230/460#190/380 V			
Frequency	60 Hz			
Design	B			
LR Code letter	J			
Service Factor	1.15			
Temp Rise @ FL	40 °C			
Duty	CONT			
Ambient	40 °C			
Elevation	1,000 feet			
Rotor/Shaft wk ²	0.00 Lb-Ft ²			
Ref Wdg	T08704011 NONE			
Sound Pressure @ 1M	61 dBA			
VFD Rating	CONSTANT 10:1			
Outline Dwg	SS622136LE			
Conn. Diag	00501001			
Additional Specifications:				
0				
0				
EQUIV CKT (OHMS / PHASE)				
R1	R2	X1	X2	Xm
0.0000	0.0000	0.0000	0.0000	0.0000



Speed - Torque Curve

