

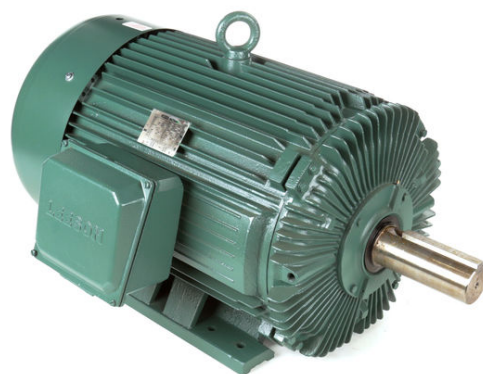
PRODUCT INFORMATION PACKET



Model No: 171628.00

Catalog No: 171628.00

****OBSOLETE, REPLACED BY 447TTFC6080**** 150 HP 1200 575 TEFC 447T PREM EFF
General Purpose Motors



Regal and Leeson are trademarks of Regal Rexnord Corporation or one of its affiliated companies.
©2021 Regal Rexnord Corporation, All Rights Reserved. MC017097E





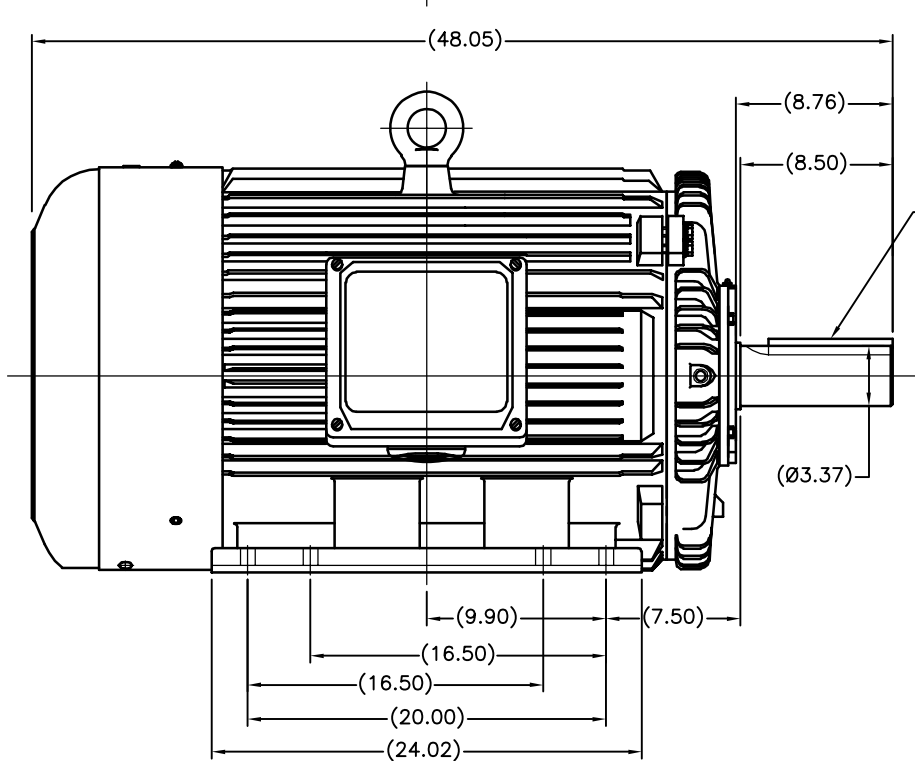
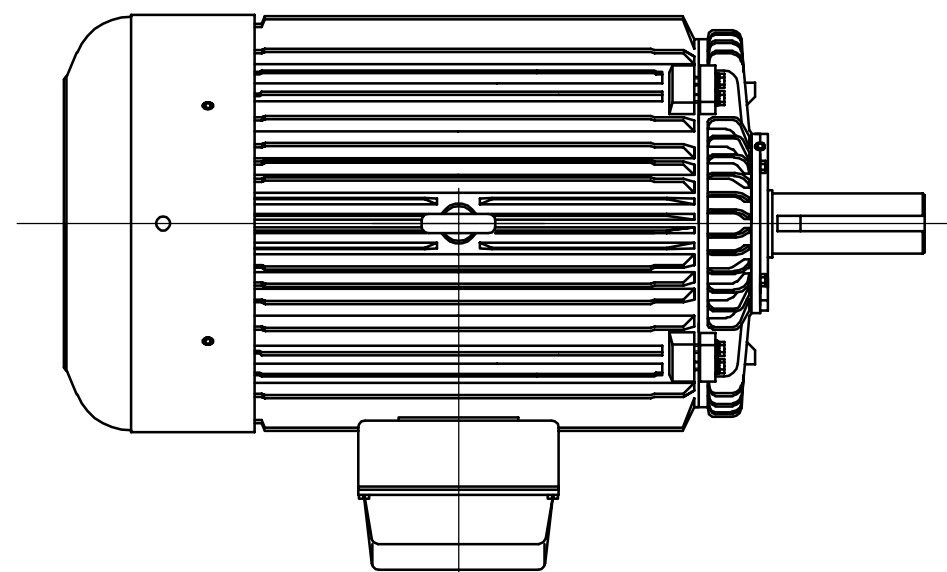
Nameplate Specifications

Output HP	150 Hp	Output KW	112.0 kW
Frequency	60 Hz	Voltage	575 V
Current	149.0 A	Speed	1195 rpm
Service Factor	1.15	Phase	3
Efficiency	96.2 %	Power Factor	78.5
Duty	Continuous	Insulation Class	F
Design Code	B	KVA Code	G
Frame	447T	Enclosure	Totally Enclosed Fan Cooled
Thermal Protection	No	Ambient Temperature	40 °C
Drive End Bearing Size	6319	Opp Drive End Bearing Size	6317
UL	Recognized	CSA	Y
CE	Y	IP Code	43
Number of Speeds	1		

Technical Specifications

Electrical Type	Squirrel Cage Induction Run	Starting Method	Wye Start Delta Run
Poles	6	Rotation	Reversible
Resistance Main	.0201 Ohms	Mounting	Rigid Base
Motor Orientation	Horizontal	Drive End Bearing	Ball
Opp Drive End Bearing	Ball	Frame Material	Cast Iron
Shaft Type	T	Overall Length	48.05 in
Shaft Diameter	3.375 in	Shaft Extension	8.5 in
Assembly/Box Mounting	F1/F2 CAPABLE		
Connection Drawing	005190.01	Outline Drawing	16983360

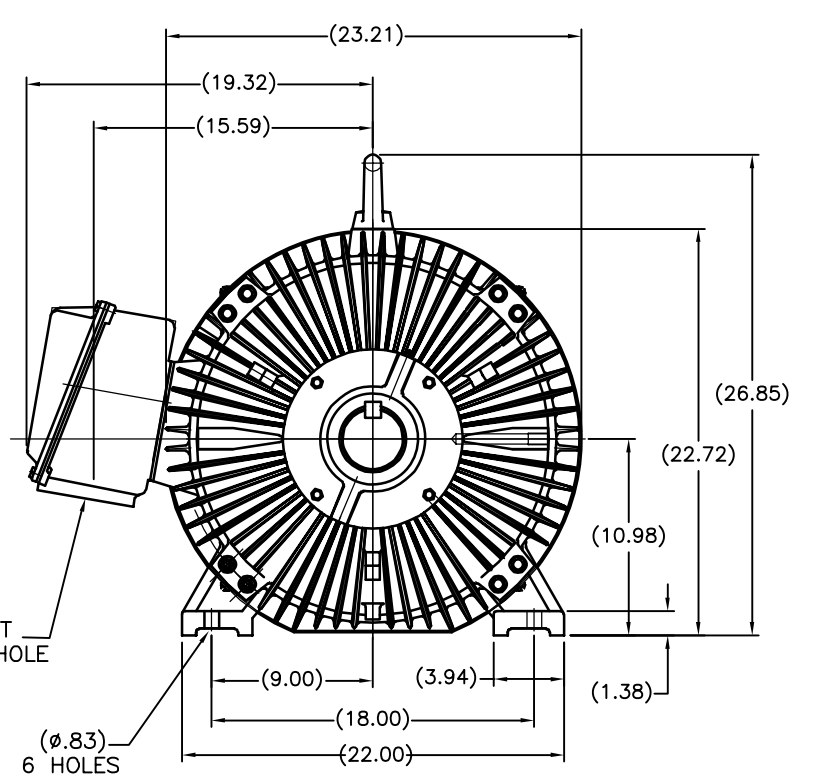
16983360



(.88x.88x6.88)
KEY

3" NPT
CONDUIT HOLE

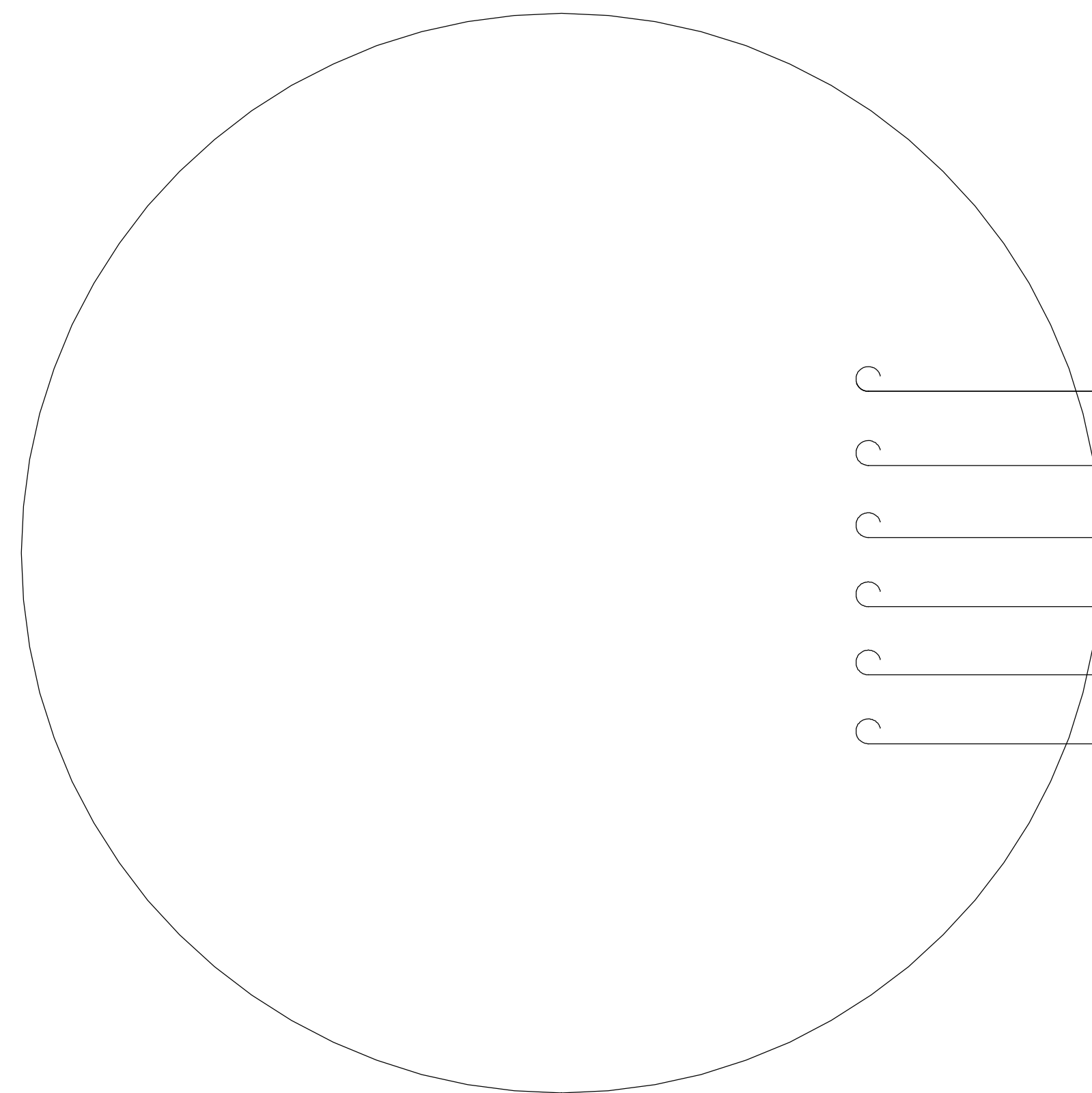
(Ø.83)
6 HOLES



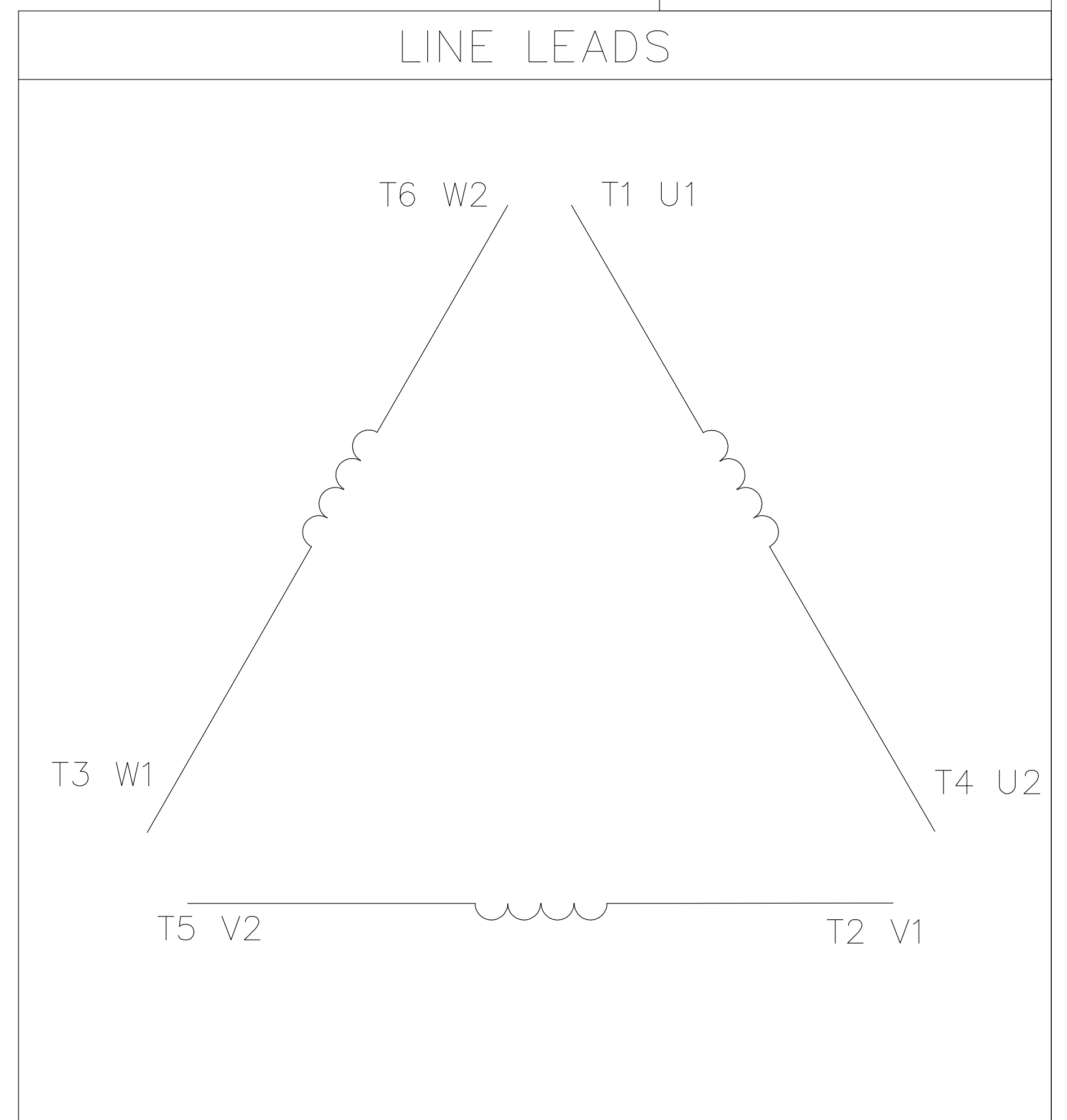
		TOLERANCES UNLESS SPECIFIED		REGAL REGAL-BELOIT CORPORATION	DRAWN MOL 06-30-2011
		DEC.	INCHES		CHK MOL 06-30-2011
			.X ±.1		APPD
2	ADDED 'BS' DIM PER ECO-0048910	RFH 04/07/2014	EH .XX ±.03	TITLE OUTLINE-447T FR-TEFC-RIGID MEETS NEC/UL REQ CON-BOX VOL=9750	SCALE 1=6
1	ADDED TOP VIEW	MOL 11-26-2012	.XXXX ±.0005	MAT'L CAST IRON	REF
NO.	REVISION	BY & DATE	CHK ANG ±1/2'	FINISH	PREV
THIS DRAWING IN DESIGN AND DETAIL IS OUR PROPERTY AND MUST NOT BE USED EXCEPT IN CONNECTION WITH OUR WORK ALL RIGHTS OF DESIGN AND INVENTION ARE RESERVED THIS IS AN ELECTRONICALLY GENERATED DOCUMENT - DO NOT SCALE THIS PRINT				RFP CAD FILE 16983360	SIZE B DRAWING NO. 16983360 PAGE 1 OF 1 REV. 2
				DIST	

005190-01

LINE LEADS



- T1 U1
- T2 V1
- T3 W1
- T4 U2
- T5 V2
- T6 W2



	L1	L2	L3	JOIN
START (WYE)	T1 U1	T2 V1	T3 U2	(T4,T5,T6) (U2,V2,W2)
RUN (DELTA)	(T1,T6) (U1,W2)	(T2,T4) (V1,U2)	(T3,T5) (W1,V2)	

				TOLERANCES UNLESS OTHERWISE SPECIFIED		LEESON ELECTRIC CORPORATION			
				DECIMALS					
04	ADDED MAT'L (CWLE) PER ECO-0168542	DS	6/10/2019			DRAWN PG 05/07/82	TITLE EXT. WIRING DIAGRAM STAR START - DELTA RUN		
03	ADDED IEC DESIGNATIONS	MOL	4/27/2012	.00	± .01	CH'K'D. TEM			
02	REMOVED OBSOLETE STATUS	KJH	6/28/99	.000	± .005	APPR. 05/07/82	MAT'L. Y-CONNECTED START (CWLE) DELTA CONNECTED RUN - SINGLE VOLTAGE		
01	REDRAWN ON CAD	DBT	05/30/97	.0000	± .0005	SCALE 1=1			
NO.	REVISION	BY	DATE	FRACTIONS	± 1/64	REF. T2E	FINISH	SIZE A	DRAWING NO. 005190-01
THIS DRAWING IN DESIGN AND DETAIL IS OUR PROPERTY AND MUST NOT BE USED EXCEPT IN CONNECTION WITH OUR WORK ALL RIGHTS OF DESIGN AND INVENTION ARE RESERVED				ANGLES	± 1/2'	FMF	ELECTRO POWER		
				INCH/MM					