

PRODUCT INFORMATION PACKET



Model No: 171623.60

Catalog No: 171623.60

Severe Duty Motor, 3 & 2 HP, 3 Ph, 60 & 50 Hz, 208-230/460 & 190/380 V, 1800 & 1500 RPM,
182T Frame, TEFC



Regal and Leeson are trademarks of Regal Rexnord Corporation or one of its affiliated companies.

©2023 Regal Rexnord Corporation, All Rights Reserved. MC017097E





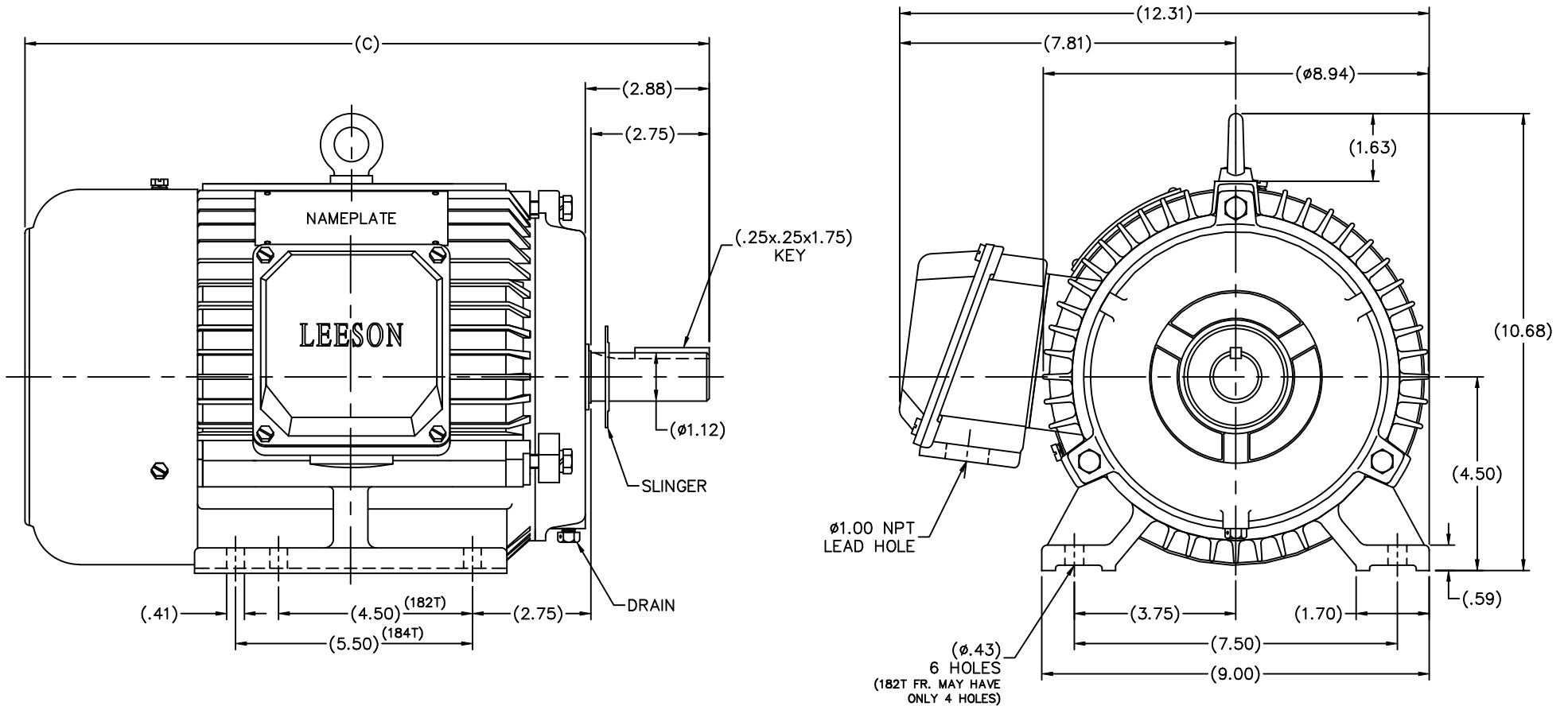
Nameplate Specifications

Phase	3	Output HP	3 & 2 Hp
Output KW	2.2 & 1.5 kW	Voltage	208-230/460 & 190/380 V
Speed	1770 & 1465 rpm	Service Factor	1.25 & 1.0
Frame	182T	Enclosure	Totally Enclosed Fan Cooled
Thermal Protection	No Protection	Efficiency	89.5 & 91 %
Ambient Temperature	40 °C	Frequency	60 & 50 Hz
Current	8.3-7.8/3.9 & 6.6/3.3 A	Power Factor	79.5
Duty	Continuous	Insulation Class	F
Design Code	B	KVA Code	J
Drive End Bearing Size	NONE	Opp Drive End Bearing Size	NONE
UL	Recognized	CSA	Y
CE	Y	IP Code	55
Number of Speeds	1		

Technical Specifications

Electrical Type	Squirrel Cage Inverter Rated	Starting Method	Wye Start Delta Run Or Inverter
Poles	4	Rotation	Reversible
Mounting	Rigid Base	Motor Orientation	Horizontal
Drive End Bearing	Ball	Opp Drive End Bearing	Ball
Frame Material	Cast Iron	Shaft Type	T
Overall Length	16.14 in	Shaft Diameter	1.125 in
Shaft Extension	2.75 in	Assembly/Box Mounting	F1/F2 CAPABLE
Connection Drawing	00501001	Outline Drawing	SS622136LE-184T

This is an uncontrolled document once printed or downloaded and is subject to change without notice. Date Created:06/21/2023



(MAY NOT BE DRAWN TO SCALE)

182T	16.14
184T	16.80
FRAME	C

		TOLERANCES UNLESS SPECIFIED		LEESON ELECTRIC MOTORS GEARMOTORS AND DRIVES	DRAWN MSG 06-01-2006
		DEC.	INCHES		CHK ML 06-03-2006
		.X	±.1		APPD SB 06-08-2006
		.XX	±.03	TITLE OUTLINE	SCALE 7-16
		.XXX	±.005	182T/184T FR. - TEFC - RIGID	REF
		.XXXX	±.0005	MATL	FMF HEBEI
NO.	REVISION	BY & DATE	CHK ANG ±730°	FINISH 171623.60 & 171630.60	PREV
THIS DRAWING IN DESIGN AND DETAIL IS OUR PROPERTY AND MUST NOT BE USED EXCEPT IN CONNECTION WITH OUR WORK ALL RIGHTS OF DESIGN AND INVENTION ARE RESERVED THIS IS AN ELECTRONICALLY GENERATED DOCUMENT - DO NOT SCALE THIS PRINT				CAD FILE ss622136le	SIZE B
				DIST WA	DRAWING NO. PAGE OF REV. SS622136LE

005010-01

VIEW FROM OUTSIDE OF MOTOR AT SWITCH END.



VOLTAGE	L1	L2	L3	JOIN & INSULATE
HIGH	T1	T2	T3	(T4,T7) (T5,T8) (T6,T9)
LOW	T1,T7	T2,T8	T3,T9	T4,T5,T6

				TOLERANCES UNLESS SPECIFIED		Regal Beloit America, Inc.		DRAWN RDW 04/12/02		
				DEC.	INCHES			CHK		
				.X	±.1			APPD		
				.XX	±.01			SCALE 1=1		
				.XXX	±.005	TITLE		REF FIG.2-51		
A UPDATED TO REGAL LOGO				SAJ 06/26/15	AJY .XXXX ±.0005	MAT'L		FMF		
NO. REVISION				BY & DATE	CHK ANG ±1/2"	FINISH		PREV		
THIS DRAWING IN DESIGN AND DETAIL IS OUR PROPERTY AND MUST NOT BE USED EXCEPT IN CONNECTION WITH OUR WORK ALL RIGHTS OF DESIGN AND INVENTION ARE RESERVED THIS IS AN ELECTRONICALLY GENERATED DOCUMENT - DO NOT SCALE THIS PRINT				RFP	04/12/02	CAD FILE		SIZE	DRAWING NO.	REV.
				DIST BRF-NLV		00501001		A	005010-01	A



CERTIFICATION DATA SHEET

**1051 CHEYENNE AVE.
GRAFTON, WI 53024
PH. 262-377-8810**

CATALOG #: 171623.60

CONN. DIAGRAM: 00501001

OUTLINE: SS622136LE

MOUNTING: F1/F2 CAPABLE

WINDING #: T08704010 3

TYPICAL MOTOR PERFORMANCE DATA

HP	kW	SYNC. RPM	F.L. RPM	FRAME	ENCLOSURE	KVA CODE	DESIGN
3&2	2.24&1.49	1800	1770&1465	182T	TEFC	J	B

PH	Hz	VOLTS	AMPS	START TYPE	DUTY	INSL	S.F.	AMB°C
3	60/50	208-230/460&190/380	8.3-7.8/3.9&6.6/3.3	Y START D RUN OR INV	CONTINUOUS	F5	1.25/1.0	40

FULL LOAD EFF:	89.5&91	3/4 LOAD EFF:	89.5	1/2 LOAD EFF:	88.5	GTD. EFF	ELEC. TYPE
FULL LOAD PF:	79.5&76	3/4 LOAD PF:	73.5	1/2 LOAD PF:	62	89.5	SQ CAGE INV RATED

F.L. TORQUE	LOCKED ROTOR AMPS	L.R. TORQUE	B.D. TORQUE	F.L. RISE°C
8.9 LB-FT	58.8 / 29.4	19.5 LB-FT 218 %	32.7 LB-FT 367 %	28

SOUND PRESSURE @ 3 FT.	SOUND POWER	ROTOR WK^2	MAX. WK^2	SAFE STALL TIME	STARTS / HOUR	APPROX. MOTOR WGT
- dBA	- dBA	0.335 LB-FT^2	0.3 LB-FT^2	15 SEC.	2	- LBS.

***** SUPPLEMENTAL INFORMATION *****

DE BRACKET TYPE	ODE BRACKET TYPE	MOUNT TYPE	ORIENTATION	SEVERE DUTY	HAZARDOUS LOCATION	DRIP COVER	SCREENS	PAINT
STANDARD	STANDARD	RIGID	HORIZONTAL	TRUE	NONE	FALSE	NONE	BLUE (ENAMEL)

BEARINGS		GREASE	SHAFT TYPE	SPECIAL DE	SPECIAL ODE	SHAFT MATERIAL	FRAME MATERIAL
DE	ODE						
BALL	BALL	POLYREX EM	T	NONE	NONE	AISI 1045 (C-240)	CAST IRON
NONE	NONE						

THERMO-PROTECTORS				THERMISTORS	CONTROL	SPACE HEATERS
THERMOSTATS	PROTECTORS	WDG RTDs	BRG RTDs			
NONE	NOT	NONE	NONE	NONE	FALSE	NONE VOLTS

*
N
O
T
E
S

INVERTER TORQUE: CONSTANT 10:1
INV. HP SPEED RANGE: NONE
ENCODER: NONE
NONE NONE
NONE NONE PPR
BRAKE: NONE NONE
NONE P/N NONE
NONE NONE
NONE FT-LB NONE V NONE Hz

Data Sheet

Date: 1/19/2018

171623.60



Data @ **460 V**

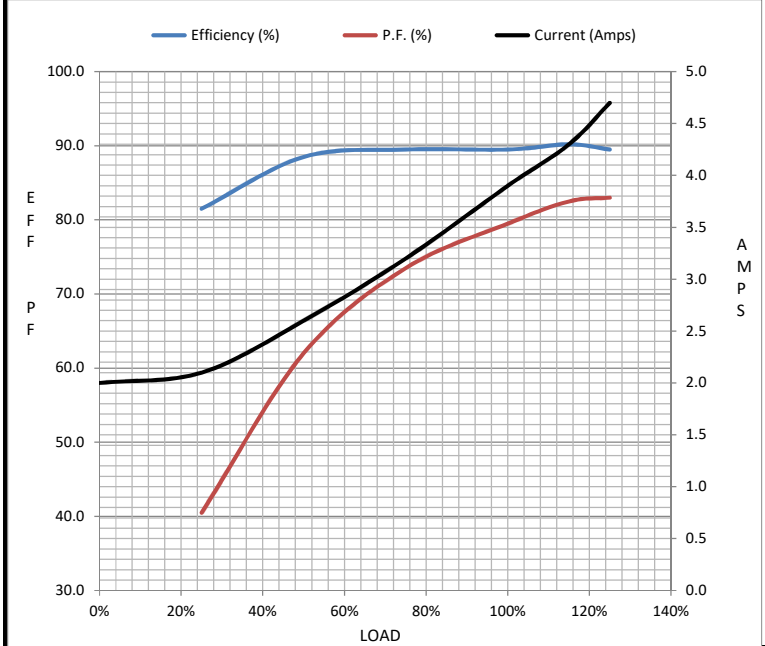
Motor Load Data

Load	0%	25%	50%	75%	100%	115%	125%	LR
Current (Amps)	2.00	2.10	2.60	3.2	3.9	4.3	4.7	29.4
Torque (ft-lb)	0.00	2.20	4.4	6.7	8.9	10.3	11.2	19.5
RPM	1800	1795	1785	1775	1770	1.765	1760	0
Efficiency (%)		81.5	88.5	89.5	89.5	90.2	89.5	
P.F. (%)	7.5	40.5	62.0	73.5	79.5	82.5	83.0	36.0

Motor Speed Data

	LR	Pull-Up	BD	Rated	Idle
Speed (RPM)	0	375	1575	1770	1800
Current (Amps)	29.4	26.0	18.3	3.9	2.00
Torque (ft-lb)	19.5	15.0	32.7	8.9	0.00

Information Block				
HP	3.0			
Sync. RPM	1800			
Frame	182			
Enclosure	TEFC			
Construction	TFC			
Voltage	208-230/460#190/380 V			
Frequency	60 Hz			
Design	B			
LR Code letter	J			
Service Factor	1.15			
Temp Rise @ FL	28 °C			
Duty	CONT			
Ambient	40 °C			
Elevation	1,000 feet			
Rotor/Shaft wk ²	0.34 Lb-Ft ²			
Ref Wdg	T08704010 NONE			
Sound Pressure @ 1M	999 dBA			
VFD Rating	CONSTANT 10:1			
Outline Dwg	SS622136LE			
Conn. Diag	00501001			
Additional Specifications:				
0				
0				
EQUIV CKT (OHMS / PHASE)				
R1	R2	X1	X2	Xm
0.0000	0.0000	0.0000	0.0000	0.0000



Speed - Torque Curve

